



Features

Eco-Friendly Refrigerant

R290 refrigerant with a global warming potential (GWP) of 3

Easy to Clean

Aluminum interior, coved corners, finished edges, and removable shelves

High-Strength Door

Heavy-duty, stainless steel door assembled using high-load brackets for long lasting durability

Long-Lasting, Removable Gaskets

Santoprene™ gaskets last four times longer than standard gaskets

High-Density Insulation

Foamed-in-place, CFC-free polyurethane insulation for maximum strength, rigidity, and insulation

High-Efficiency Refrigeration System

Forced air circulation provides uniform temperature throughout the cabinet

Cabinet Capacity

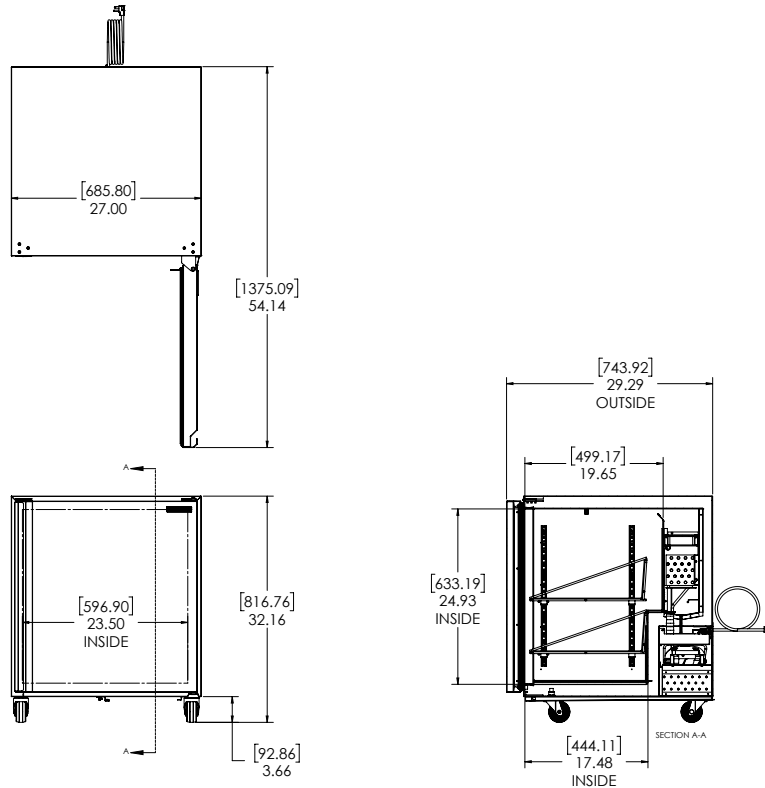
Internal area of 5.5ft³ with two (2) heavy-gauge wire shelves — adjustable in 1/2" increments using stainless steel pilasters

Heavy-Duty Soft Casters

Secured to a 12 gauge steel base to ensure years of worry-free operation

Stainless Steel Exterior

Galvanized back and bottom to reduce the risk of corrosion



Technical Specifications

Electrical Requirements	115v/60hz/1ph/1.6A/NEMA 5-15P Plug
Product Dimensions	27"W x 32.15"H x 29.32"D (68.58cm x 81.66cm x 74.47cm)
Product Weight	140lbs (63.50kg)
Shipping Dimensions	32"W x 40"H x 37"D (81.28cm x 101.60cm x 93.98cm)
Shipping Weight	155lbs (70.31kg)
Shipping Cubic Dimensions	27.41ft ³ (.78m ³)
Temperature Range	36 to 38 (2.22 to 3.33°C)
Refrigerant	R290

Insulation	Foamed-in-place, CFC-free polyurethane
Exterior Construction	Stainless steel exterior with galvanized back and bottom
Interior Construction	Aluminum interior with coved corners and finished edges
Doors	One (1) right-hand swing door
Interior Capacity	5.5ft ³
Door/Drawer Gasket	Santoprene™ gasket
Shelves	Two (2) heavy-gauge wire shelves
Casters	Four (4) 3" heavy-duty soft casters (two locking)
Certifications	ETL Safety, ETL Sanitation
Warranty	1-year parts and labor, 5-year compressor (part only)

Model Number	Description
SKR27A-ESUS1	Undercounter Refrigerator 27", 115v/60hz/1ph, single right-hand swing door, 3" heavy-duty soft casters (two locking), NEMA 5-15P

To learn more about **Silver King Undercounter Refrigerator**, visit silverking.com