

Project \_\_\_\_\_

Item Number \_\_\_\_\_

Quantity \_\_\_\_\_

8713M



## 8713M Premium Slicer

### Model:

➤ 8713M: 1/2hp Manual Slicer



CERTIFIED BY NSF INTERNATIONAL TO MEET AND EXCEED THE NSF/ANSI 2012 STANDARDS

13" Precision slicing German hollow ground blade  
 Unique smooth curve transitions to redirect liquids away from controls and operator  
 Easily detachable carriage for easy cleaning

### Features:

- Medium to heavy duty, high volume slicer
- Maximum duty 8 hours a day
- Low friction blade
- Capable of slicing unlimited amounts of cheese
- Unique drip tray fence redirects liquids away from controls and operator towards distinctive concave base casting for easy cleaning
- Ergonomic comfort design operation
- Powerful 1/2 hp motor standard
- Adjustable slice thickness from 0 to 7/8"
- Easily removable sharpener for cleaning
- Quick and simple disassembly of carriage and feed grip for easy and thorough cleaning
- Sanitary polished and anodized aluminum construction
- Permanently mounted protective edge guard for operator safety
- Heavy duty 3-1/2 lb gravity fed grip
- 3 inch legs make cleaning under the slicer simpler for the user

### Optional Accessories:

- Serrated blade
- Heavy duty clear plastic cover
- Stainless steel vegetable chute
- Security reinforced prison package

### Warranty:

- One year, on-site parts and labor
- Univex slicers are not intended for semi-frozen product except for Model 8713M with semi-frozen blade package. Any use of fully frozen product will void the warranty.

Premium Series Slicer

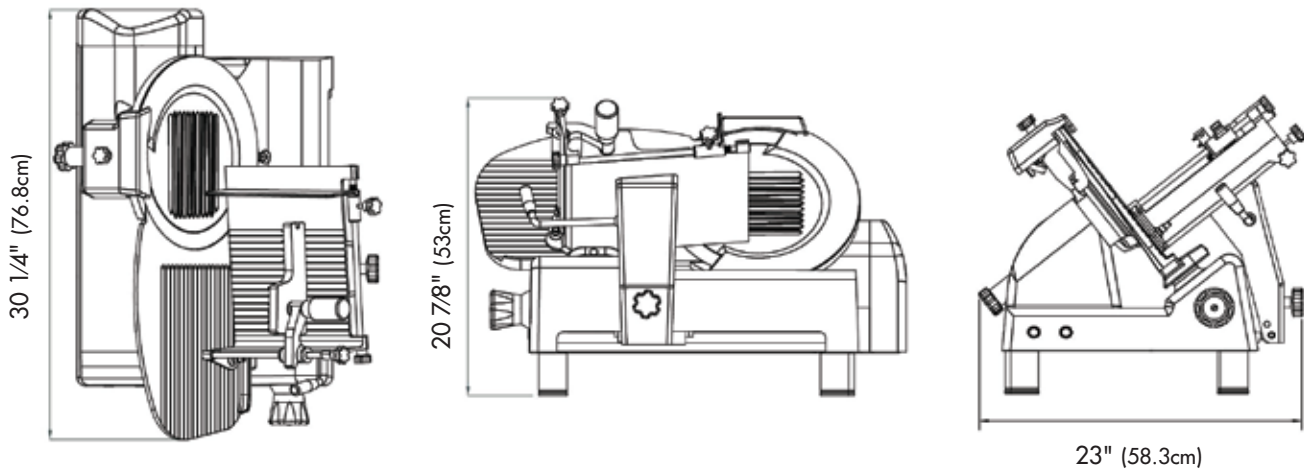
Univex Corporation



WE RAISE THE BAR. WE SET THE STANDARD.

# Premium Series Slicer

# 8713M



Controls: Manual slice thickness knob, push button on/off, attached blade sharpener

Drive Assembly: Gear driven

Blade diameter: 13" (33cm) razor sharp blade

Blade RPM: 300 RPM

Maximum slice thickness: .875" (2.2cm)

Maximum product size: Rectangular: 10" x 6.5" (25.4cm x 16.5cm)  
Square: 6.5" x 6.5" (16.5cm x 16.5cm)  
Round: 9" (22.9cm)

Construction: Anodized, cast aluminum body for durability and stunning looks

Electrical Information (60Hz)						
	Voltage	Phase	Amps	RPM	hp(kW)	NEMA
Standard Voltage	115	1	5.4	1680	1/2 (.37)	5-15P
Optional Voltage	208-240	1	2.7	1680	1/2 (.37)	6-15P

<b>Carriage Stroke</b>
13" (33cm)

Shipping Information		
Net Weight	Shipping Weight	Overall Shipping Dimensions
122 lbs. (55.3Kg)	130 lbs. (59Kg)	25" (63.5cm) H x 22" (55.9cm) W x 33" (83.8cm) D



**Univex Corporation**  
[www.Univexcorp.com](http://www.Univexcorp.com)

3 Old Rockingham Rd  
Salem, NH 03079  
United States of America

TEL: (800)258-6358  
INTL TEL: (603)893-6191  
FAX: (800)356-5614  
INTL FAX: (603)893-1249