



K-159 3-1/2" GOOSENECK SPLASH MOUNT FAUCET

Conforms To NSF 61/9 Lead Free Requirements



FAUCET AERATOR CONFORM TO
ASTM.A112.18.1M • 2.2 GPM/8.3 LPM
THREAD: 55/64 - 27 FEMALE



Click This Link To
View Assembly Sheet

Item #: _____ Qty #: _____
Model #: _____
Project #: _____

DIMENSIONS and SPECIFICATIONS

FEATURES:

- 3-1/2" swivel gooseneck spout.
- 8" O.C. water supply.
- Quarter-turn wedge style handles.
- Colored hot & cold indexes.
- 2.2 GPM/8.3 LPM Aerator. 60 PSI.

MATERIAL:

- Brass chrome plated body & spout.
- Chrome plated handles.

Options & Accessories

12" Replacement
Swing Spout
K-159SP



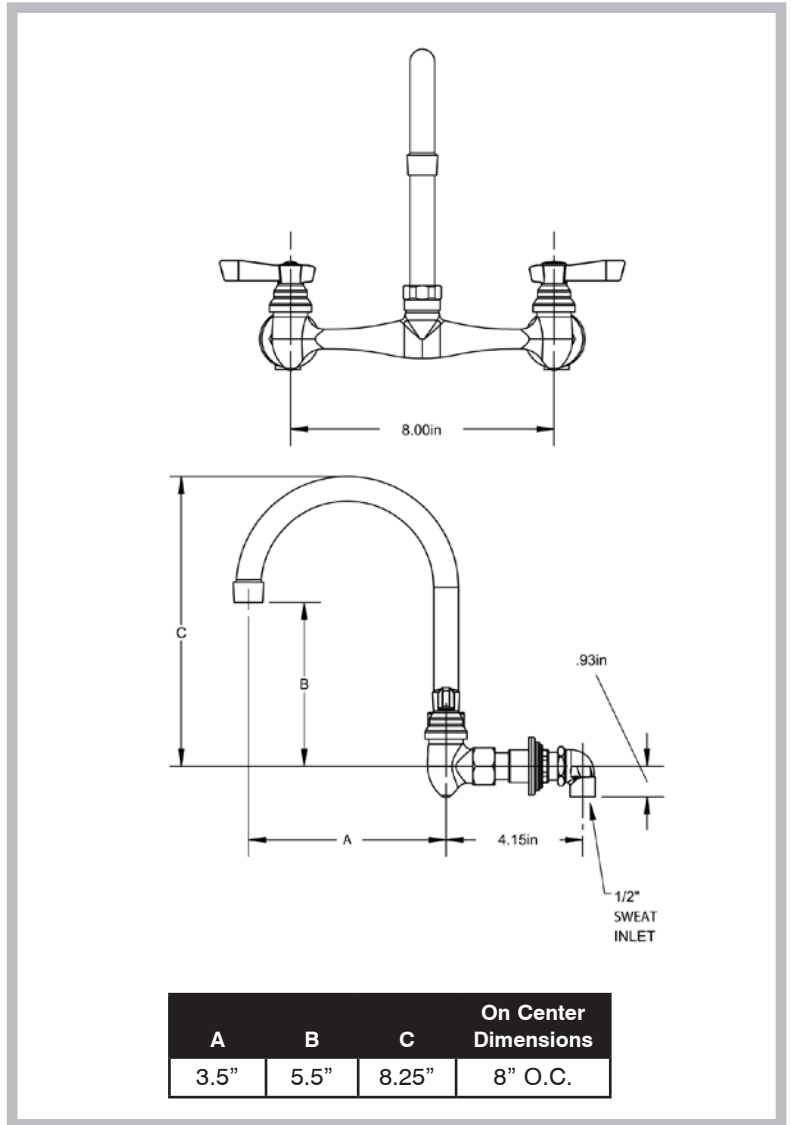
Replacement Cartridges
K-07 (Set)



Faucet Mounting Kit
K-06



Wrist Handles
K-416-LU (Set)



WARNING: Faucets on this page may expose you to chemicals, including lead, that are known to the State of California to cause cancer or birth defects or other reproductive harm. For more Info., visit www.p65warnings.ca.gov.



Customer Service Available To Assist You 1-800-645-3166 8:30 am - 7:00 pm E.S.T.

For Orders & Customer Service:
Email: customer@advancetabco.com or Fax: 631-242-6900

For Smart Fabrication™ Quotes:
Email: smartfab@advancetabco.com or Fax: 631-586-2933