



Fresh juice is an important part of a healthy lifestyle!

CSE1
Centrifugal Juice Extractor



STANDARD FEATURES

- Ideal for extracting juice out of fruits and vegetables in seconds.
- Immediate pulp ejection for continuous use.
- Compact countertop design.
- Stainless steel juicing parts and motor housing.
- Comes standard with a 135 oz. waste basket and a 34 oz. juice container.
- Equipped with anti-skid legs to prevent slipping on wet surfaces.
- Easily removable parts for cleaning.

ILLUSTRATIVE PHOTO. ACTUAL PRODUCTS AND ACCESSORIES ARE SUBJECT TO CHANGE WITHOUT NOTICE.



Skyfood Equipment LLC
175 SW 7th Street, Ste 2416
Miami, FL 33130

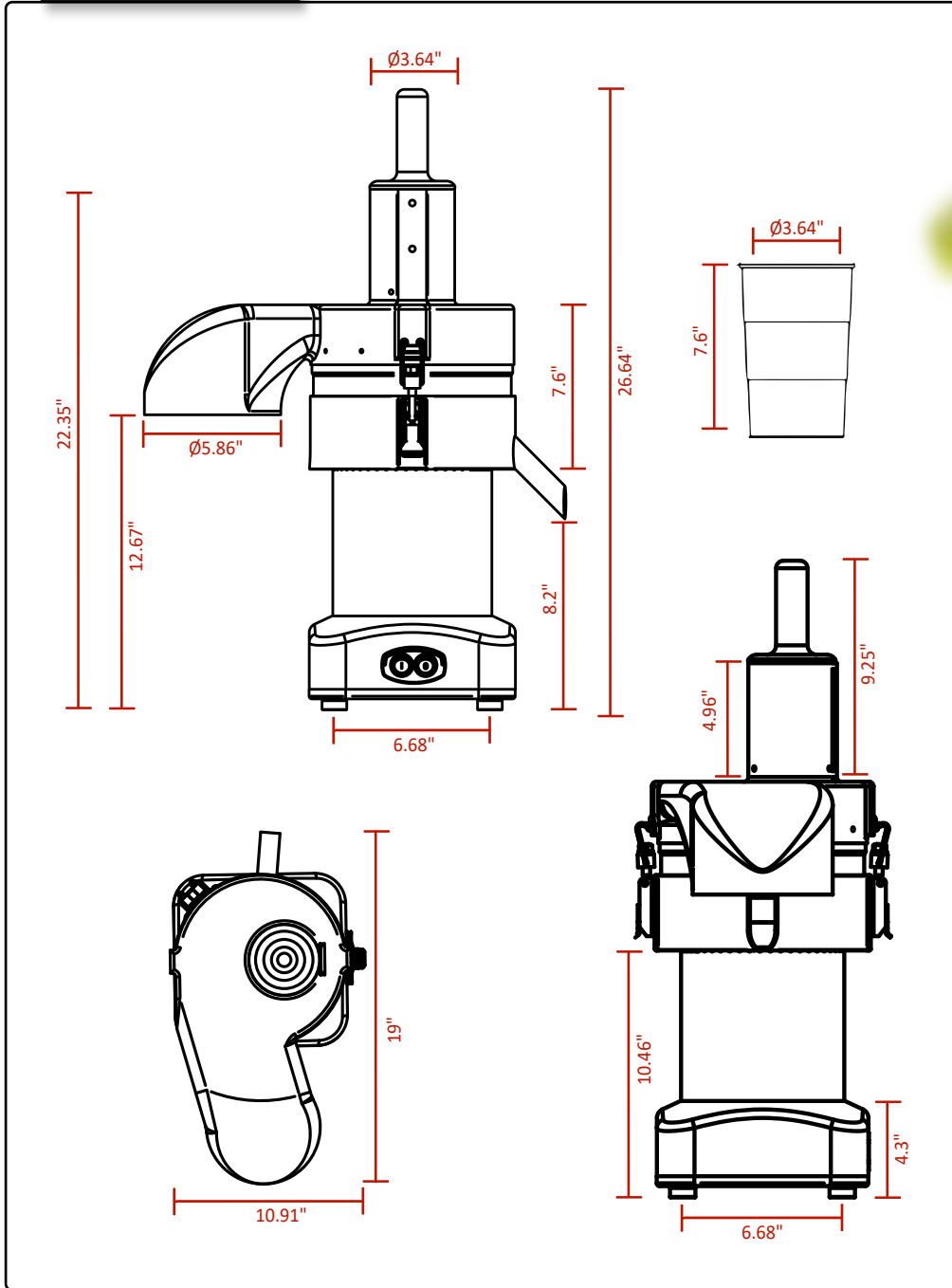
Toll Free:
1-800-503-7534
sales@skyfood.us

www.skyfood.us






DIMENSIONS



 **MADE IN BRAZIL**

 **PLUG**
NEMA 5-15P

WARRANTY 01 YEAR
PARTS AND LABOR
VALID IN THE
CONTINENTAL
UNITED STATES.

 **CALIFORNIA RESIDENTS ONLY -**
WARNING:
Cancer and Reproductive Harm -
www.P65Warnings.ca.gov

Item	Voltage	AMPS	Power Rating	Dimensions (W x D x H)	Weight (Net x Ship)	RPM	PLUG
CSE1	110 V	9.6	1/2 HP	19" x 11" x 27"	35 lb x 47 lb	3500	NEMA 5-15P

ILLUSTRATIVE PHOTO. ACTUAL PRODUCTS AND ACCESSORIES ARE SUBJECT TO CHANGE WITHOUT NOTICE.



Skyfood Equipment LLC
175 SW 7th Street, Ste 2416
Miami, FL 33130

Toll Free:
1-800-503-7534
sales@skyfood.us

www.skyfood.us

 AutoQuotes

 beedash

