



Model: _____ Item #: _____ Date: _____

Project: _____ Qty: _____ Approved By: _____

Basin Sink

Sinks



BS-1818

Model	Description
BS-1818	Basin Sink with Faucet
BS-1818-LF	Basin Sink Less Faucet

Description

- Basin Sink package includes, 8" Center Wall Mount Faucet, 3-1/2" Drain, and Wall Bracket

Sink Specifications

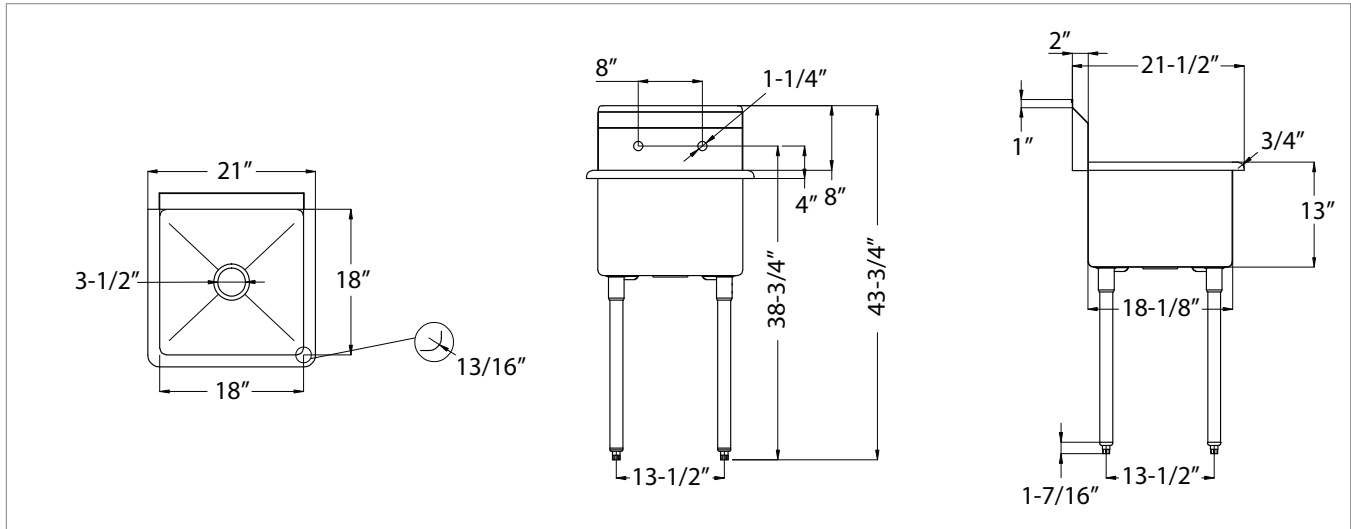
Material	18 gauge stainless steel
Overall Dimensions	21"W x 21-1/2"L x 43-3/4"H
Bowl Dimensions	18"W x 18"L x 13" Deep
Faucet	8" center faucet w/ 8" spout (12-808L)
Drain	3-1/2" drain included
Legs	304 stainless steel with plastic bullet feet
Mount	Wall mount bracket included

Faucet Specifications

Model	12-808L
Water Inlet	1/2" female NPT on 8" centers
Temp. Range	40°F - 180°F
Water Pressure	20 - 120 PSI
Flow Rate	1.8 GPM
Material	Solid brass
Finish	Chrome plated

Product Compliance

- Sink: NSF-2
- Faucet: ASME A112.18.1-2011/CSA B125.1-1, NSF-61, NSF/ANSI 372, CEC Listed, Massachusetts Approved



WARNING:

Plumbing connections should be made by qualified personnel who will observe all applicable plumbing, sanitary and safety codes.

California Prop 65 Warning:

This product can expose you to chemicals including lead and lead compounds, which are known to the State of California to cause cancer and birth defects or other reproductive harm. For more information go to www.P65Warnings.ca.gov.