



Profit from the Eagle Advantage®

Specification Sheet

Short Form Specifications

Eagle RedHots® Two-Bulb Warmer, model _____.
Freestanding portable bulb warmer with two 250-watt infrared white bulbs, mounted on adjustable heavy gauge chrome finished frame. Lamp shields constructed of polished aluminum. Optional stainless steel pan and drain insert available.



#BW-2-120 bulb warmer

Options / Accessories

- Red infrared bulb
- White infrared bulb
- White infrared shatter-proof bulb
- Food pan
- Stainless steel drain insert

EAGLE GROUP

100 Industrial Boulevard, Clayton, DE 19938-8903 USA
 Phone: 302-653-3000 • 800-441-8440 • Fax: 302-653-2065
www.eaglegrp.com
www.eaglegrpnews.com
www.eaglemhc.com

For custom configuration or fabrication needs, contact our **SpecFAB® Division**.
 Phone: 302-653-3000 • Fax: 302-653-2065 • e-mail: quotes@eaglegrp.com

Item No.:	_____
Project No.:	_____
S.I.S. No.:	_____

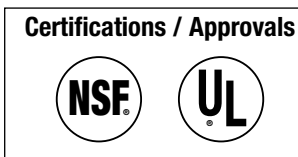
Bulb Warmers

MODELS:

- BW-2-120 301759
- BW-2-120I 301628
- 301669 360332
- 301757

Design and Construction Features

- 1" (25mm) square tubular adjustable frame constructed of heavy gauge steel with chrome-plated finish.
- Adjustable up to 8" (203mm) in height.
- Aluminum bulb shields complete with porcelain lamp sockets.
- Two 250-watt infrared white bulbs.
- 6' (1829mm) three-conductor cord with 15-amp 120-volt plug.
- Supplied with ON/OFF switch.
- Both units are 60 cycle single phase.



EG35.02 Rev. 12/22

Spec sheets available for viewing, printing or downloading from our online literature library at our websites

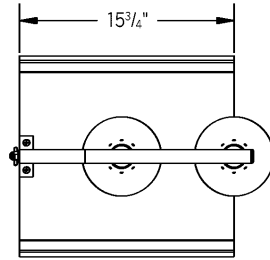
Eagle Foodservice Equipment, Eagle MHC, and SpecFAB® are divisions of Eagle Group. ©2022 by the Eagle Group



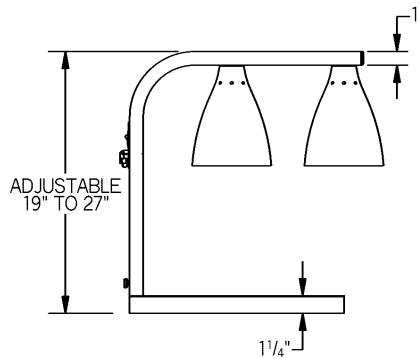
Profit from the Eagle Advantage®

Item No.: _____
 Project No.: _____
 S.I.S. No.: _____

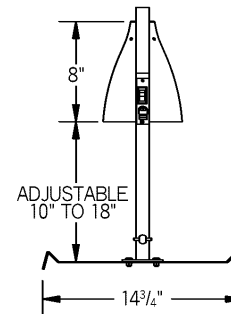
Bulb Warmers



TOP VIEW



SIDE VIEW



REAR VIEW

description#	width x depth*		weight		electrical data**	model
	in.	mm	lbs.	kg		
two-bulb warmer	14 3/4" x 15 3/4"	375 x 400	14	6.4	120V, 4.2A, 500W	BW-2-120
two-bulb warmer, drain insert, pan	14 3/4" x 15 3/4"	375 x 400	18	8.2	120V, 4.2A, 500W	BW-2-120I

*Dimensions of bottom plate; **60 cycle single phase

Accessories/Replacements

description	weight		model #
	lbs.	kg	
12 3/4" x 20 3/4" x 2 1/2" pan	3	1.4	301669
stainless drain insert	2	0.9	301757
red infrared bulb	1	0.5	301759
white infrared bulb	1	0.5	301628
white infrared shatter-proof Teflon-coated bulb	1	0.5	360332



optional pan with stainless steel insert

EAGLE GROUP

100 Industrial Boulevard, Clayton, DE 19938-8903 USA

Phone: 302-653-3000 or 800-441-8440 • Fax: 302-653-2065

www.eaglegrp.com • www.eaglegrpnews.com • www.eaglehmc.com

Printed in U.S.A.
 ©2022 by Eagle Group

Rev. 12/22

Spec sheets available for viewing, printing or downloading from our online literature library at our websites

Although every attempt has been made to ensure the accuracy of the information provided, we cannot be held responsible for typographical or printing errors. Information and specifications are subject to change without notice. Please confirm at time of order.