

ICE TRANSPORT SYSTEM SCS-350

ICE BIN WITH CART FOR MODULAR MACHINE

2 YEARS
WARRANTY
PARTS & LABOR



FEATURES

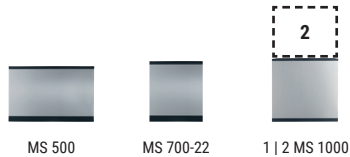
- ▶ ICE BIN CAPACITY OF 302 LBS + 247 LBS/CART
- ▶ AISI 304 STAINLESS STEEL CONSTRUCTION
- ▶ HARD SANITARY POLYETHYLENE LINER, RESISTANT TO BLOWS, AND SCRATCHES
- ▶ EASY CLEANING DESIGN®: SEAMLESS ONE-PIECE LINER WITH ROUNDED CORNERS, AVOIDING POSSIBLE DIRTY POINTS AND FACILITATING CLEANING
- ▶ DRAINAGE SYSTEM THAT COLLECTS AND DRIVES THE WATER TO THE DRAIN KEEPING THE BIN AND FLOOR CLEAN & DRY
- ▶ LARGE CAPACITY EASY CART®, UP TO 247 KG OF ICE (154 KG WITH BUCKETS); ERGONOMIC, EASY TO MOVE WITH LITTLE EFFORT
- ▶ EASY CART® HAS A BRAKING AND DRAINAGE SYSTEM
- ▶ EASY CART® IS MADE OF SANITARY POLYETHYLENE, SMOOTH SURFACE TO FACILITATE CLEANING. IT INCLUDES A COVER TO PREVENT DIRT TO CONTAMINATE THE ICE
- ▶ BASKETS FOR DISTRIBUTING ICE QUICKLY AND EFFORTLESSLY CAN BE INCLUDED (ACCESSORY)



RECOMMENDED MACHINES



SPIKA

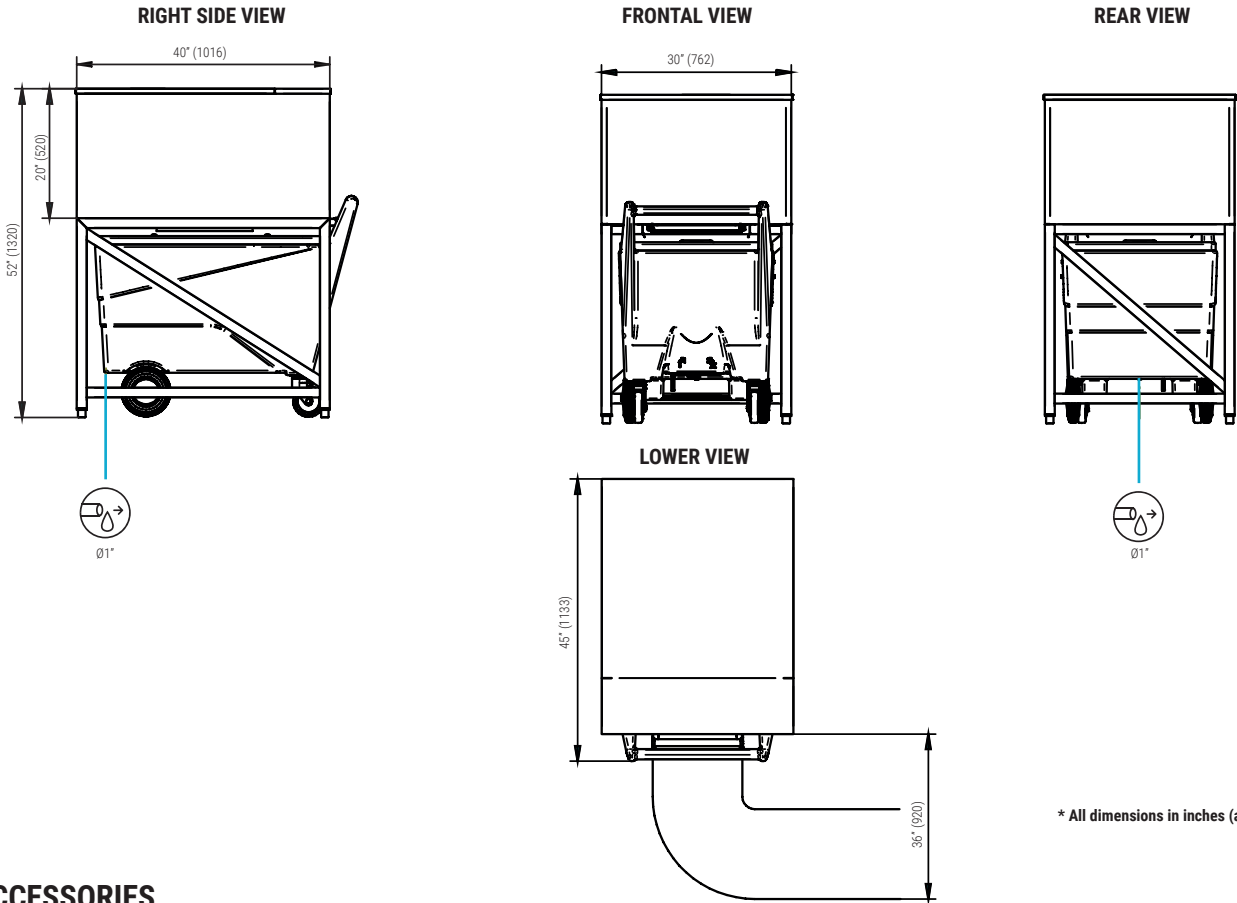


ICE QUEEN



TECHNICAL SCHEME

BIN SCS-350



ACCESSORIES

INCLUDED



WATER OUTLET HOSE



SCOOP



PADDLE



PADDLE HANGER

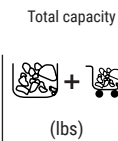
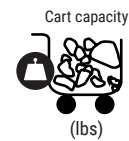
NOT INCLUDED



ADAPTER PLATES



BUCKETS



BIN SCS-350

309

243

247

556

Width 30"
Depth 40"
Height 60"

165

Width 38"
Depth 48"
Height 52"

181



ITV Ice Makers, Inc.
 9550 Satellite Blvd, Suite 100
 Orlando, FL 32837
 Phone: 1 407 826 1860 | Fax: 1 407 826 1861
 Toll Free: 1 888 488 1423
 sales@itvice.com | www.itvice.com



SERVICE
 service@itvice.com
 Skype: service@itvice.com
 PHONE: +1 888 488 1423
 FROM 8AM TO 5PM EST



Read our warranty policy to know more about limitations and exclusions

