

Specification Sheet

Short Form Specifications

BlendPort[®] Soiled Dishtables, model _____.
 Top to be 16/304 stainless steel with all seams welded, ground smooth, and polished. Front and end to have 3"-high upturn with a 1½"-diameter rolled edge. Stainless channels welded to underside. Backsplash is 10"-high. 20¾" opening for dishwasher. Legs to be 1½" O.D. stainless tubing with 1" diameter crossbracing and adjustable stainless bullet feet.



left-hand model shown

Item No.: _____
 Project No.: _____
 S.I.S. No.: _____

Clean Dishtables

MODELS:

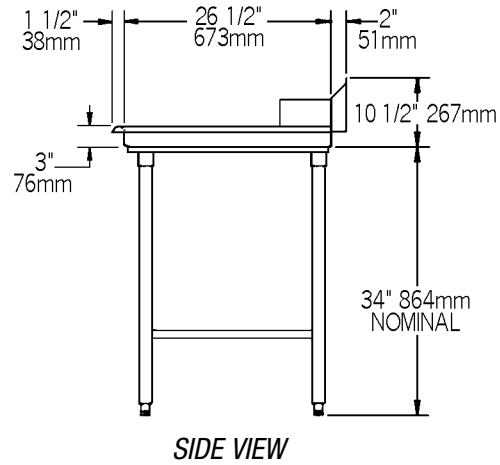
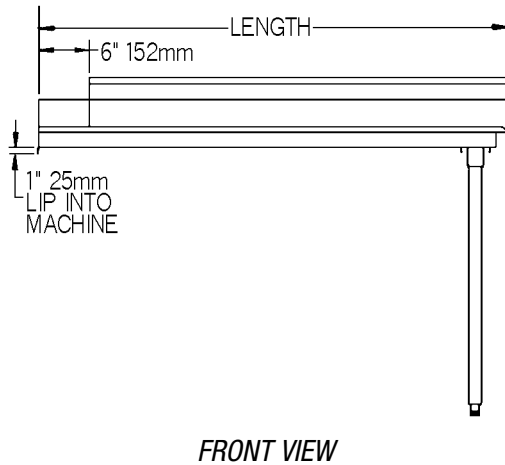
- BPCDT-24L-16/3 BPCDT-24R-16/3
- BPCDT-36L-16/3 BPCDT-36R-16/3
- BPCDT-48L-16/3 BPCDT-48R-16/3
- BPCDT-60L-16/3 BPCDT-60R-16/3
- BPCDT-72L-16/3 BPCDT-72R-16/3
- BPCDT-84L-16/3 BPCDT-84R-16/3
- BPCDT-96L-16/3 BPCDT-96R-16/3

Design and Construction Features

- 16 gauge type 304 stainless steel.
- 30" (762mm)-wide table furnished in lengths ranging from 24" to 96" (610 to 2438mm).
- Left or right hand operation.
- 1½" (38mm) raised rolled rim on front and end.
- 1½" (41mm)-diameter stainless legs with welded 1" (25mm)-diameter crossbracing.
- 10" (203mm)-high backsplash.
- Adjustable stainless bullet feet with up to 1" (25mm) adjustment.

Item No.: _____
 Project No.: _____
 S.I.S. No.: _____

Clean Dishtables



(right-hand model shown)

LEFT-HAND model #	RIGHT-HAND model #	length		weight	
		in.	mm	lbs.	kg
<i>BPCDT-24L-16/3</i>	<i>BPCDT-24R-16/3</i>	24"	610	38	17.2
<i>BPCDT-36L-16/3</i>	<i>BPCDT-36R-16/3</i>	36"	914	48	21.8
<i>BPCDT-48L-16/3</i>	<i>BPCDT-48R-16/3</i>	48"	1219	58	26.3
<i>BPCDT-60L-16/3</i>	<i>BPCDT-60R-16/3</i>	60"	1524	68	30.9
<i>BPCDT-72L-16/3</i>	<i>BPCDT-72R-16/3</i>	72"	1829	78	35.4
<i>BPCDT-84L-16/3</i>	<i>BPCDT-84R-16/3</i>	84"	2134	95	43.1
<i>BPCDT-96L-16/3</i>	<i>BPCDT-96R-16/3</i>	96"	2438	106	48.1