

Blueair by
BLUENIX

MODEL BSH-14/LF | BSH-14/SP
HAND SINKS



BSH-14/LF



BSH-14/SP

STANDARD FEATURES



Entire ASSEMBLY is fused Welded
shielded and polished to create a one piece
seamless sink Unit



Adjustable ABS bullet feet
Enhanced Functionality.



Stainless Steel cross braced legs and gussets
additional strength and stability

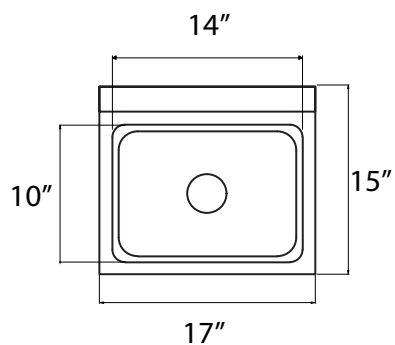
- Swirl away bowl drainage
- All sink compartments are covered With a full 5/8" radius
- Welded areas are high-speed belt blended to match adjacent surfaces with the continuity of a satin finish
- All Sink Models Equipped with standard strainers with Brass Fittings instead of Aluminum
- Die-stamped creased drain boards for positive drainage

Blueair by
BLUENIX

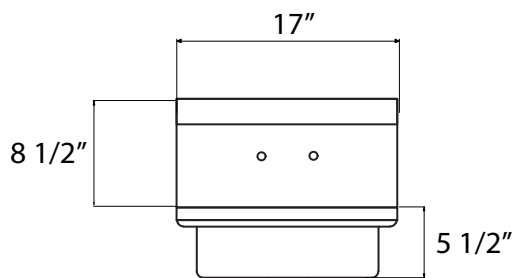
BLUE AIR has right to change specifications without further notice.

BSH-14/LF

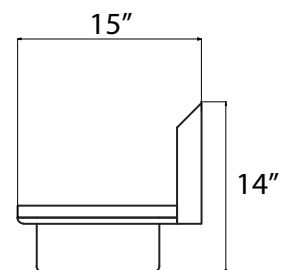
Top view



Front view

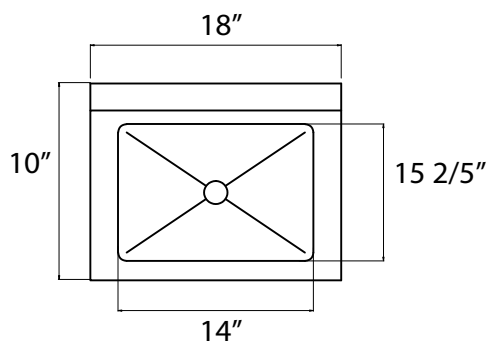


Side view

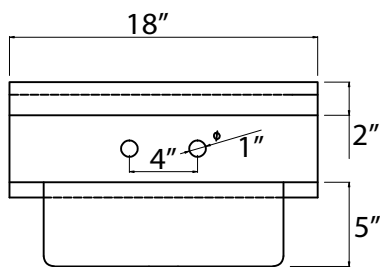


BSH-14/SP

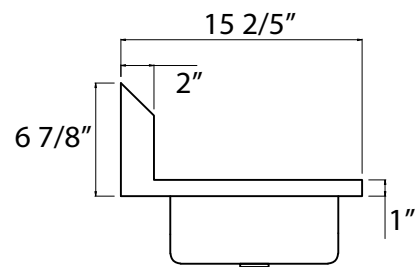
Top view



Front view



Side view



Model

Overall size (inches/mm)

Bowl Size (inches/mm)

	L	D	H	L	D	H
BSH-14/LF	17"(432mm)	15"(381mm)	14"(356mm)	10"(254mm)	14"(356mm)	5"(127mm)
BSH-14/SP	18"(457mm)	15 2/5"(391mm)	11"(280mm)	14"(356mm)	10"(254mm)	5"(127mm)

Weight (lbs/kg)

	Net Weight	Ship Weight
BSH-14/LF	11(5)	10(4.5)
BSH-14/SP	9(4)	11(5)



blueairfse.com



orders@blueairfse.com



223 W. Rosecrans Ave., CA 90248
T: 310-808-0102

9 W. Shelton Terrace #A, Hillside, NJ 07205
T: 470-625-0182

7025 Amwiler industrial Drive, Suite A, Atlanta GA
T: 908-688-0970