



# BEVERAGE-AIR

Project: _____	AIA#
Item: _____	
Location: _____	SIS#
Approved: _____	

**HBF72HC BOTTOM MOUNT MODEL: HORIZON SERIES**

**HORIZON BOTTOM MOUNT REACH-IN**  
**HBF72HC Half-Solid Door Reach-In Freezer**  
 Hydrocarbon Series

**MODEL:**  
**HBF72HC-1-HS**



**7 Year Parts/Labor Warranty**  
**7 Year Compressor Warranty**

### CABINET CONSTRUCTION

- Stainless steel front, side, and grille (galvanized back & bottom)
- Stainless steel interior
- LED lighting
- Full electronic control with one-touch defrost
- One-piece grille allow easy removal/installation for preventative maintenance
- Door locks
- Self closing doors with 120° stay open feature
- Spring-loaded style hinges
- Plug-in magnetic door gaskets
- Nine (9) heavy duty epoxy coated wire shelves
- 6" Casters with two (2) brakes

### OPTIONS & ACCESSORIES

- Stainless steel universal tray slide pair, 1 tray slide set for (1) 18" x 26" or (2) 14" x 18" pans (AC)
- 3" Casters or 6" legs
- Epoxy shelves
- Shelf clips
- Remote option\* (see note on back page)

### REFRIGERATION SYSTEM

- Uses environmentally friendly, energy efficient R290 refrigerant, and meets all regulatory requirements for CARB, SNAP, DOE & more
- Hot gas condensate evaporator
- Adaptive defrost
- Epoxy coated evaporator coil
- Freezer capable of maintaining product temperature down to -10°F



Please verify qualifying units by visiting:  
[www.energystar.gov/cfs](http://www.energystar.gov/cfs)

3779 Champion Blvd., Winston-Salem, NC 27105  
1-888-845-9800 Fax: 1-336-245-6453  
Beverage-Air.com Sales@bevair.com



# BEVERAGE-AIR

MODEL	HBF72HC-1-HS
<b>EXTERNAL DIMENSIONAL DATA</b>	
Width Overall	75"
Depth Overall (with handle)	33 3/4"
Height Overall (with casters)	84 1/8"
Number of Doors	6
Depth with Door Open 90°	55 1/4"
Door Openings (in)	21 7/8" x 24 3/4"
<b>INTERNAL DIMENSIONAL DATA</b>	
NET Capacity (cubic ft.)	68.43
Internal Width Overall (in)	72"
Internal Depth Overall (in)	28 1/2"
Internal Height Overall (in)	61 3/4"
Internal Height Usable (in)	55"
Number of Shelves	9
<b>ELECTRICAL DATA</b>	
Full Load Amperes	13.9
Voltage	115/60/1
Nema Plug (8' cord)	5-20P
<b>REFRIGERATION DATA</b>	
Horsepower	(2X) 3/4
Capacity (BTU/Hr)	(2X) 2097
Heat Rejection (BTU/Hr)	6291
Charge (lbs/grams/ounces)	(2X) 0.2094 / 95 / 3.35
<b>SHIPPING DATA</b>	
Gross Weight - Crated	858 lbs
Height - Crated	88"
Width - Crated	77"
Depth - Crated	36"

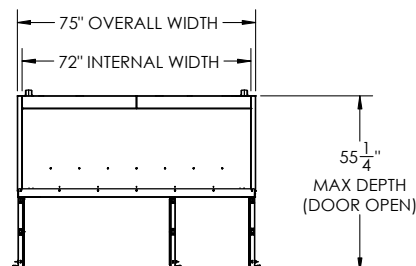
\*NOTE: Remote units are field wired and come with 6" legs.  
Refrigerant must be specified at time of order.

We reserve the right to change specifications and product design without notice. Such revisions do not entitle the buyer to corresponding changes, improvements, additions or replacements for previously purchased equipment. Dimensional tolerances +/- 1/4". Metric dimensions (MM).

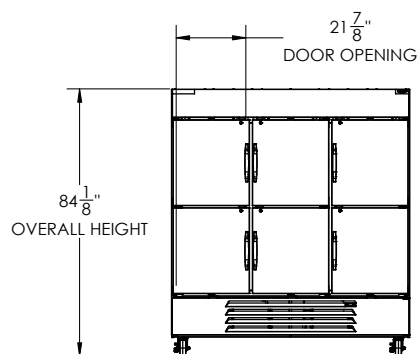
## Horizon Bottom Mount Reach-In Freezer Model: HBF72HC-1-HS

### Model Views

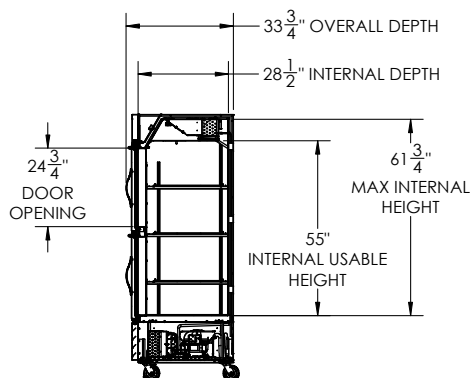
Required Clearance: Bottom & Rear 3"



### PLAN VIEW



### ELEVATION VIEW



### SIDE VIEW

### ELECTRICAL CONNECTION



115/60/1  
NEMA 5-20P

Unit pre-wired at factory and include 8' long cord and plug set.

