



Profit from the Eagle Advantage®

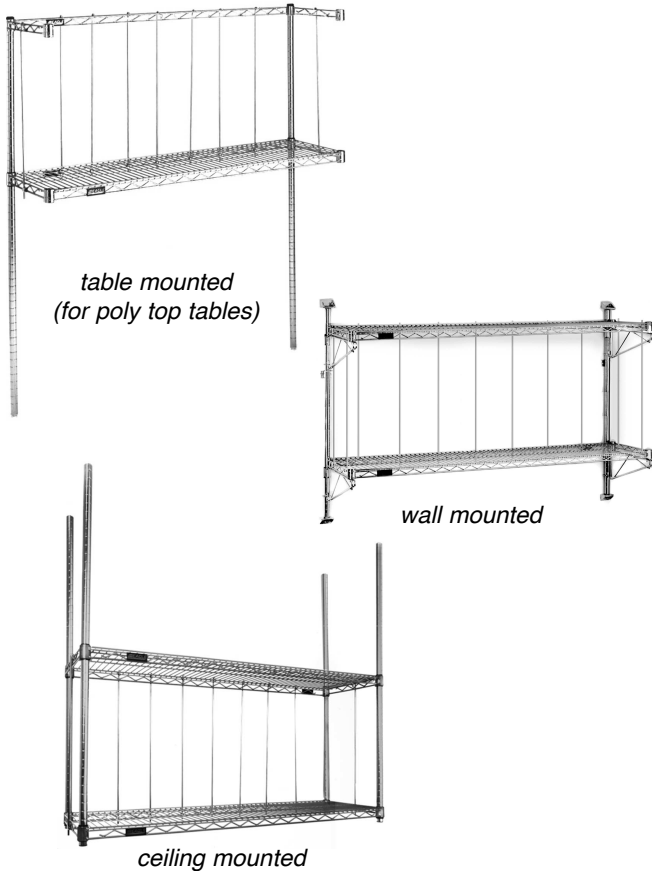
Specification Sheet

Short Form Specifications

Eagle Table Mounted Boat Rack for Poly Top Table, model _____ . Consisting of one or two wire shelves with patented Quad-Truss® design, one or two 3-sided trusses, two or three 54" posts, and leg/gusset clamp brackets to attach unit to table legs.

Eagle Wall Mounted Boat Rack for Poly Top Table, model _____ . Consisting of two or four wire shelves with patented Quad-Truss® design, two or three pairs of shelf brackets, and two or three 33" posts.

Eagle Ceiling Mounted Boat Rack for Poly Top Table, model _____ . Consisting of two or four wire shelves with patented Quad-Truss® design, and four or six 45" posts with 3/8-16 nut welded on top.



Item No.: _____
 Project No.: _____
 S.I.S. No.: _____

Boat Racks

MODELS:

- | | | | | |
|---------------------------------|---------------------------------|---------------------------------|---------------------------------|---------------------------------|
| <input type="checkbox"/> BRT4 | <input type="checkbox"/> BRT7 | <input type="checkbox"/> BRW5 | <input type="checkbox"/> BRW8 | <input type="checkbox"/> BRC6 |
| <input type="checkbox"/> BRT4-S | <input type="checkbox"/> BRT7-S | <input type="checkbox"/> BRW5-S | <input type="checkbox"/> BRW8-S | <input type="checkbox"/> BRC6-S |
| <input type="checkbox"/> BRT5 | <input type="checkbox"/> BRT8 | <input type="checkbox"/> BRW6 | <input type="checkbox"/> BRC4 | <input type="checkbox"/> BRC7 |
| <input type="checkbox"/> BRT5-S | <input type="checkbox"/> BRT8-S | <input type="checkbox"/> BRW6-S | <input type="checkbox"/> BRC4-S | <input type="checkbox"/> BRC7-S |
| <input type="checkbox"/> BRT6 | <input type="checkbox"/> BRW4 | <input type="checkbox"/> BRW7 | <input type="checkbox"/> BRC5 | <input type="checkbox"/> BRC8 |
| <input type="checkbox"/> BRT6-S | <input type="checkbox"/> BRW4-S | <input type="checkbox"/> BRW7-S | <input type="checkbox"/> BRC5-S | <input type="checkbox"/> BRC8-S |

All racks:

- Posts are numbered in 1" (25mm) increments to allow for adjustable shelf height.
- Chrome** or stainless steel** wire shelves and posts.
- Patented QuadTruss® design (patent #5,390,803) makes shelves up to 25% stronger.
- Tapered split sleeves made of high-temperature-resistant ABS plastic.
- 26" (660mm) rods & tabs snap onto shelves without the use of tools.
- Mounting hardware necessary.

Table Mounted Racks*:

- 54" (1372mm) posts.
- 3-sided truss frame.
- Wire shelf.
- Leg/gusset clamp brackets, included, allow for overshef legs to attach to table legs.

Wall Mounted Racks*:

- 33" (838mm) posts.
- Wire shelves.
- Shelf brackets.

Ceiling Mounted Racks*:

- 45" (1143mm) posts with 3/8-16 nut welded on top.
- Wire shelves.

Options / Accessories

- Shelf dividers

* Quantity of components (i.e. shelves, posts, etc.) depends on length of boat rack. See back page for quantities noted.

** Chrome used in dry areas. Clean with mild soap and water. Stainless steel should be used in meat prep areas, where degreasers are used.

EAGLE GROUP

100 Industrial Boulevard, Clayton, DE 19938-8903 USA
 Phone: 302-653-3000 • 800-441-8440 • Fax: 302-653-2065
www.eaglegrp.com
www.eaglemhc.com

For custom configuration or fabrication needs, contact our SpecFAB® Division.
 Phone: 302-653-3000 • Fax: 302-653-2065 • e-mail: quotes@eaglegrp.com



EG10.22 Rev. 03/24

Spec sheets available for viewing, printing or downloading from our online literature library at our websites

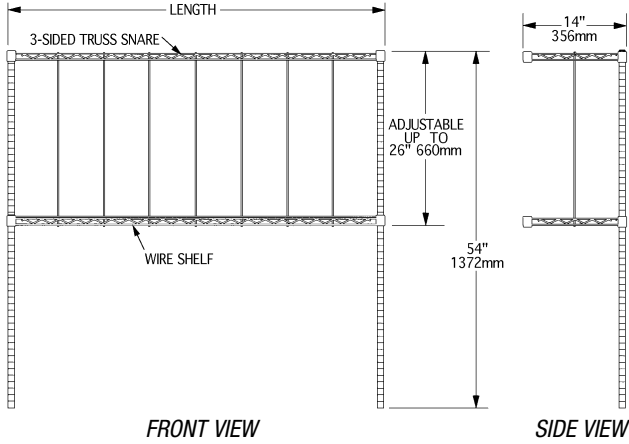


Profit from the Eagle Advantage®

Item No.: _____
 Project No.: _____
 S.I.S. No.: _____

Boats Racks

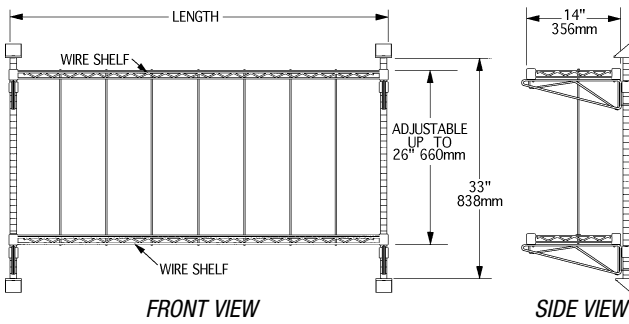
Table Mounted



chrome model #	stainless model #	weight lbs.	weight kg	width in.	width mm	length in.	length mm
BRT4 *	BRT4-S *	45	20.4	14"	356	48"	1219
BRT5 *	BRT5-S *	55	24.9	14"	356	60"	1524
BRT6 *	BRT6-S *	65	29.5	14"	356	72"	1829
BRT7 **	BRT7-S **	75	34.0	14"	356	84"	2134
BRT8 **	BRT8-S **	85	38.6	14"	356	96"	2438

* 48"-72" (1219-1829mm) lengths include two posts, one 3-sided truss frame, and one wire shelf.
 ** 84"-96" (2134-2438mm) lengths include three posts, two 3-sided truss frames, and two wire shelves with S-hooks.

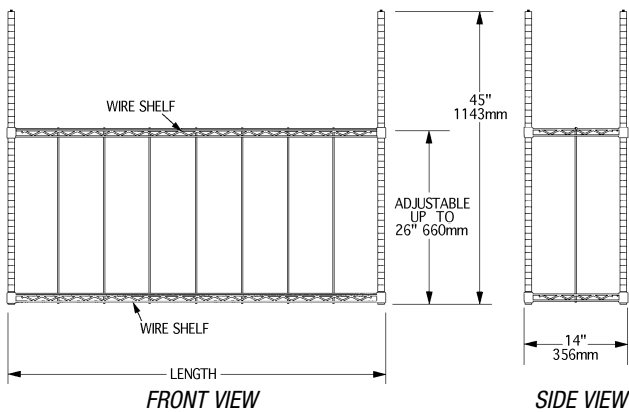
Wall Mounted



chrome model #	stainless model #	weight lbs.	weight kg	width in.	width mm	length in.	length mm
BRW4 *	BRW4-S *	40	18.1	14"	356	48"	1219
BRW5 *	BRW5-S *	50	22.7	14"	356	60"	1524
BRW6 *	BRW6-S *	60	27.2	14"	356	72"	1829
BRW7 **	BRW7-S **	78	35.4	14"	356	84"	2134
BRW8 **	BRW8-S **	80	36.3	14"	356	96"	2438

* 48"-72" (1219-1829mm) lengths include two posts, four shelf brackets, and two wire shelves.
 ** 84"-96" (2134-2438mm) lengths include three posts, six shelf brackets, and four wire shelves with S-hooks.

Ceiling Mounted



chrome model #	stainless model #	weight lbs.	weight kg	width in.	width mm	length in.	length mm
BRC4 *	BRC4-S *	40	18.1	14"	356	48"	1219
BRC5 *	BRC5-S *	50	22.7	14"	356	60"	1524
BRC6 *	BRC6-S *	60	27.2	14"	356	72"	1829
BRC7 **	BRC7-S **	78	35.4	14"	356	84"	2134
BRC8 **	BRC8-S **	80	36.3	14"	356	96"	2438

* 48"-72" (1219-1829mm) lengths include four posts and two wire shelves.
 ** 84"-96" (2134-2438mm) lengths include six posts and four wire shelves with S-hooks.

EAGLE GROUP

100 Industrial Boulevard, Clayton, DE 19938-8903 USA
 Phone: 302-653-3000 or 800-441-8440 • Fax: 302-653-2065
 www.eaglegrp.com • www.eaglemhc.com

Printed in U.S.A.
 ©2024 by Eagle Group

Rev. 03/24

Spec sheets available for viewing, printing or downloading from our online literature library at our websites

Although every attempt has been made to ensure the accuracy of the information provided, we cannot be held responsible for typographical or printing errors. Information and specifications are subject to change without notice. Please confirm at time of order.