

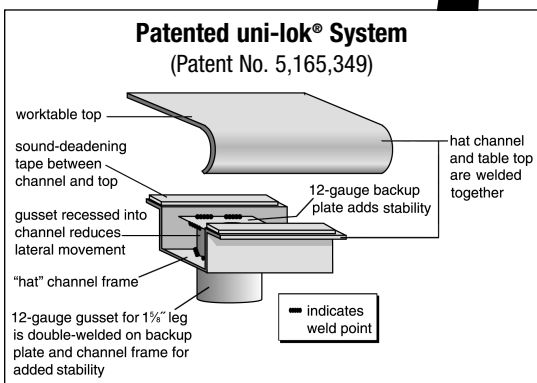
Specification Sheet

Short Form Specifications

BlendPort® worktables, Budget series model _____ . Top constructed of heavy gauge, type 430 stainless steel with 1½" roll on front and rear, and sides turned down 90°. Undershelf is adjustable and constructed of heavy gauge galvanized. Top reinforced with welded hat channels, and sound deadened. Constructed with uni-lok® patented gusset system with the gussets recessed into the hat channels to reduce lateral movement. Legs are 1½" O.D. galvanized tubing with galvanized gussets, and 1" hi-impact plastic bullet feet.



worktable with flat top and undershelf



Item No.: _____
Project No.: _____
S.I.S. No.: _____

Worktables with Flat Top and Galvanized Base with Adjustable Undershelf—Budget Series

MODELS:

- | | | |
|------------------------------------|------------------------------------|------------------------------------|
| <input type="checkbox"/> BPT-2424B | <input type="checkbox"/> BPT-2484B | <input type="checkbox"/> BPT-3060B |
| <input type="checkbox"/> BPT-2430B | <input type="checkbox"/> BPT-2496B | <input type="checkbox"/> BPT-3072B |
| <input type="checkbox"/> BPT-2436B | <input type="checkbox"/> BPT-3024B | <input type="checkbox"/> BPT-3084B |
| <input type="checkbox"/> BPT-2448B | <input type="checkbox"/> BPT-3030B | <input type="checkbox"/> BPT-3096B |
| <input type="checkbox"/> BPT-2460B | <input type="checkbox"/> BPT-3036B | |
| <input type="checkbox"/> BPT-2472B | <input type="checkbox"/> BPT-3048B | |

Tabletop

- Patented uni-lok® gusset system (patent #5,165,349): gussets are recessed into hat channel, reducing lateral movement.
- Top reinforced with welded-on hat channel.
- Sound-deadened between top and channels.
- 1½" (38mm)-diameter 180° rolled edges on front and rear. Ends are turned down 90° providing for flush installations when required.
- Heavy gauge type 430 polished stainless steel.

Adjustable Undershelf

- Heavy gauge, galvanized.
- Gusset welded to each corner.

Legs—1½" (41mm)-diameter

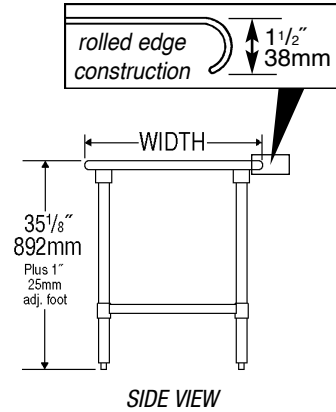
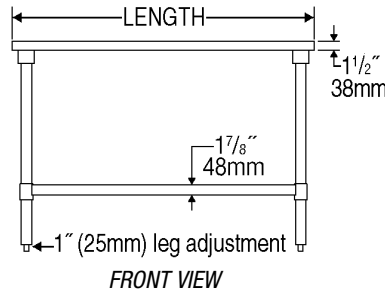
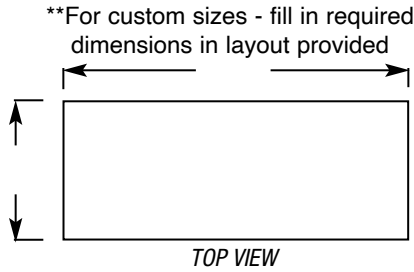
- Tables 96" (2438mm) and longer come with six legs or more.
- Heavy gauge galvanized steel.
- 1" (25mm) adjustable hi-impact plastic feet*.

* Optional casters available. Consult factory.



Item No.: _____
 Project No.: _____
 S.I.S. No.: _____

Worktables with Flat Top and Galvanized Base with Adjustable Undershelf—Budget Series



model #	# of legs	width		length		weight	
		in.	mm	in.	mm	lbs.	kg
BPT-2424B	4	24"	610	24"	610	44	20.0
BPT-2430B	4	24"	610	30"	762	51	23.1
BPT-2436B	4	24"	610	36"	914	53	24.0
BPT-2448B	4	24"	610	48"	1219	60	27.2
BPT-2460B	4	24"	610	60"	1524	79	35.8
BPT-2472B	4	24"	610	72"	1829	82	37.2
BPT-2484B	4	24"	610	84"	2134	132	59.9
BPT-2496B	6	24"	610	96"	2438	157	71.2
BPT-3024B	4	30"	762	24"	610	54	24.5
BPT-3030B	4	30"	762	30"	762	55	25.0
BPT-3036B	4	30"	762	36"	914	62	28.1
BPT-3048B	4	30"	762	48"	1219	77	34.9
BPT-3060B	4	30"	762	60"	1524	83	37.7
BPT-3072B	4	30"	762	72"	1829	105	47.6
BPT-3084B	4	30"	762	84"	2134	132	59.9
BPT-3096B	6	30"	762	96"	2438	169	76.7

BlendPort®

An Eagle Group Company
 100 Industrial Boulevard, Clayton, DE 19938-8903 USA
 Phone: 800-441-8440 • Fax: 302-653-2065

Printed in U.S.A.
 ©2023 by Eagle Group
 Rev. 03/23

Although every attempt has been made to ensure the accuracy of the information provided, we cannot be held responsible for typographical or printing errors. Information and specifications are subject to change without notice. Please confirm at time of order.