



STAINLESS STEEL GLASS RINSERS

Rinses away any impurities that might be in the glass!

Item #: _____ Qty #: _____

Model #: _____

Project #: _____

FEATURES:

Countertop Mount
Brushed Stainless Steel
6" counter Mount
Water Rinsers and Glass Actuator by pushing down on glass
Threaded Drain For 1/2" Drain Hose

Countertop Model SU-16:

Mounts Easily In Underbar Equipment

Undercounter Model SU-16UM:

Mounts Easily to Underside Of Wood Substrate

For Perforated Drainboards Model SU-16P:

Factory Installed Only

MATERIAL:

18 gauge stainless steel

Stainless steel Water rinser and glass actuator construction

MECHANICAL:

4-1/2" Glass Rinser Area

Water Connection: External -1/2" BSP (Standard Plumbing Connection)

Drain Hose Connection: 1/2" Flat Barb

Drain: Threaded Brass 3-1/2" x 5/8" x 18



Model #	O.A. Size	Rinser Size	Approx. Weight	Approx. Cu. Ft.
COUNTERTOP GLASS RINSER				
SU-16P	6-3/8" W x 6-3/8" L x 3/4" H	6-3/8" W x 6-3/8" L x 1" H	7 lbs.	1
UNDERCOUNTER GLASS RINSER				
SU-16UM	6-3/8" W x 11-3/8" L x 1" H	6-3/8" W x 6-3/8" L x 1" H	8 lbs.	1
GLASS RINSER FOR PERFORATED DRAINBOARDS				
SU-16P	4-1/2" Dia. x 3" H	4-1/2" Diameter	8 lbs.	1



**COUNTERTOP RINSER
SU-16**



**UNDERCOUNTER RINSER
SU-16UM**



**INTEGRAL RINSER
SU-16P**



Customer Service Available To Assist You 1-800-645-3166 8:30 am - 7:00 pm E.S.T.

For Orders & Customer Service:

Email: customer@advancetabco.com or Fax: 631-242-6900

For Smart Fabrication™ Quotes:

Email: smartfab@advancetabco.com or Fax: 631-586-2933

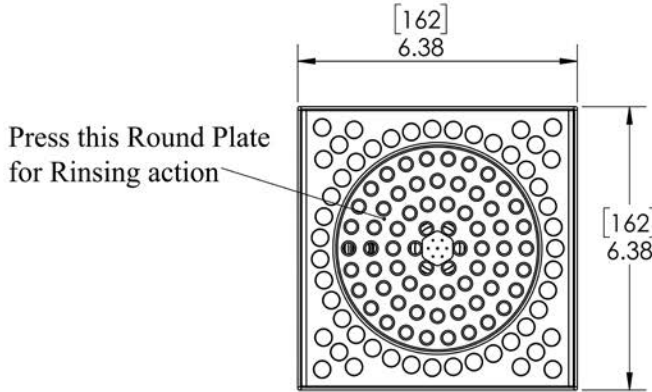
DIMENSIONS and SPECIFICATIONS

TOL Overall: ± .500" Interior: ± .250"

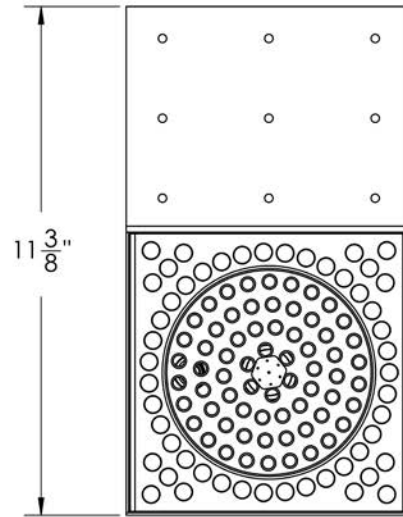
ALL DIMENSIONS ARE TYPICAL

SU-16/SU-16UM Glass Rinsers

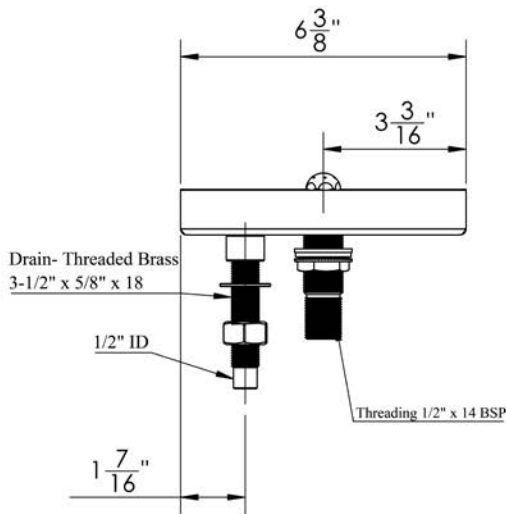
Requires Check Valve, Shut-Off and Pressure Regulator Set To 15 PSI (Supplied By Others).



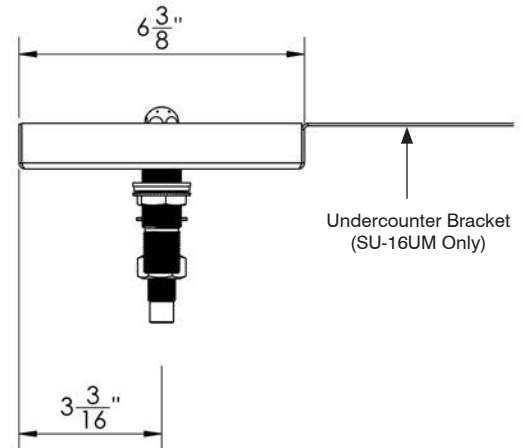
SU-16 TOP VIEW



SU-16UM TOP VIEW



FRONT VIEW



SIDE VIEW

SU-16P Glass Rinsing for Perforated Drainboards

FACTORY INSTALL ONLY

