



Profit from the Eagle Advantage®

Phone: (800) 441-8440 • (302) 653-3000

FAX: (302) 653-2065

Product Announcement

Short Form Specifications

Eagle Spec-Bar® Soda Gun Holder, model # _____
Heavy gauge type 300 stainless steel body. No legs or feet, attaches to adjoining unit with screws (by others in field). Designed to fit Wunder-Bar® or Schroeder America™ 8-14 soda gun manifolds. Holder for soda gun with built-in drip pan with 3/8" drain, includes 20-ft. clear vinyl tubing. Full access to manifold and plumbing with removable top and side panel. 6" side-to-side. 21" height. Model #SGH-19 is 19" front-to-back. #SGH-24 is 24" front-to-back.

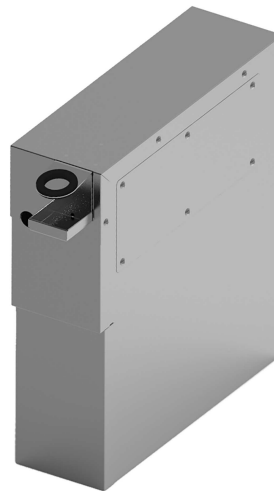
Item #:	_____
Model #:	_____
Project #:	_____
SIS #:	_____

EG8187 Rev. 04/24

New Spec-Bar® Soda Gun Holders

Design and Construction Features:

- Type 300 series stainless steel construction
- Attaches to side of adjacent equipment (by others in field)
- Designed for Wunder-Bar® or Schroeder America™ 8-14 soda gun manifolds
- Built-in drip pan with 3/8" drain
- 20' clear vinyl tubing included
- Removable top and side panels
- Two models available to choose from



#SGH-19



#SGH-24

A must for any bar or restaurant environment, Eagle's NEW Spec-Bar® Soda Gun Holders are made for popular soda guns such as by Wunder-Bar® and Schroeder America™. Holds soda guns securely in place. No need for legs and feet, these attach to the side of adjacent Eagle underbar equipment, allowing for more floor space. 20 feet of inclusive vinyl tubing allows for customizing the length to your need and/or preference. Choose from two available models, depending on the front-to-back dimension of your pre-existing Eagle underbar equipment.

For custom configuration or fabrication needs, contact our **SpecFAB® Division**.

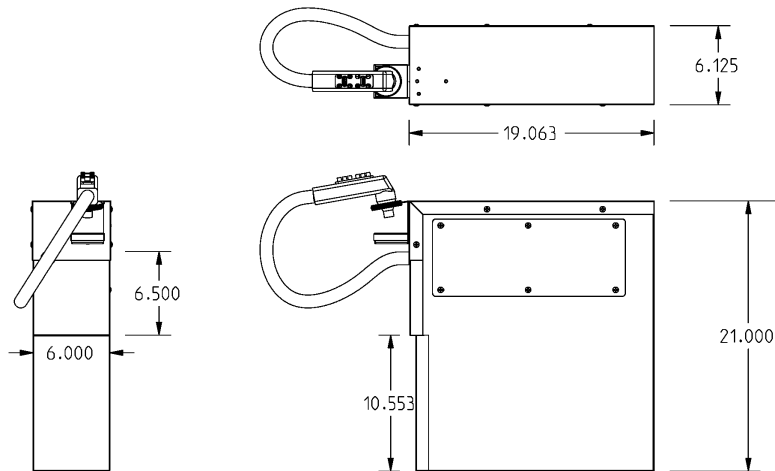
Phone: (302) 653-3000. FAX: (302) 653-2065.

E-mail: quotes@eaglegrp.com



Eagle Spec-Bar[®] Soda Gun Holders

#SGH-19



#SGH-24

