



# F-300/500BAJ

## Self-Contained Flaker with Built-In Storage



F-300/500BAJ  
07/02/24  
Item # 13142

### W x D x H

**F-300BAJ**  
36" x 24<sup>1</sup>/<sub>4</sub>" x 39<sup>1</sup>/<sub>4</sub>"\*

**F-500BAJ**  
38<sup>1</sup>/<sub>8</sub>" x 29<sup>1</sup>/<sub>8</sub>" x 42"\*

\*Height including 6" legs

Shipping Dimensions

F-300BAJ: 40<sup>3</sup>/<sub>4</sub>" x 29<sup>1</sup>/<sub>4</sub>" x 39"

F-500BAJ: 43<sup>3</sup>/<sub>4</sub>" x 33<sup>3</sup>/<sub>4</sub>" x 42"




**F-300BAJ**  
Air-Cooled

**F-500BAJ**  
Air-Cooled



## Features

- ▶ Durable stainless steel exterior
- ▶ Advanced CleanCycle24™ design 
- ▶ Stainless steel auger with greaseless bearing

- F-300BAJ - Up to 353 lbs. of ice production per 24 hrs.
- F-300BAJ - Built-in storage capacity of 3.7ft<sup>3</sup>/110 lbs.\*
- F-500BAJ - Up to 536 lbs. of ice production per 24 hrs.
- F-500BAJ - Built-in storage capacity of 5.7ft<sup>3</sup>/170 lbs.\*
- 2 second flush cycle every hour
- Flush cycle removes sediment for cleaner ice
- Corrosion resistant stainless steel
- Gear motor protected from overload
- Removable air filter
- R-404A Refrigerant

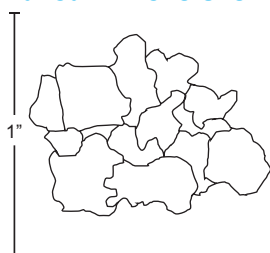
### Warranty:

3 Year Parts & Labor on entire machine. 5 Year Parts on Compressor; air-cooled condenser coil. Valid in United States, Canada, Puerto Rico and U.S. Territories. Contact factory for warranty in other countries.

\*Rated in accordance with AHRI Standard 820(I-P). Capacity based on 100% of total volume x 30 lb/ft<sup>3</sup> average density of ice.

Condenser	Model	ICE PRODUCTION		WATER USAGE		ELECTRICAL					Refrigerant Charge Amount	Net / Ship Weight (lbs.)	
		Air / Water Temp Lbs. per 24 hours 70°/ 50°F 90°/ 70°F	Potable Gal. per 100 lbs. 90°/ 70°F	Condenser Gal. per 100 lbs. 90°/ 70°F	kWh Used per 100 lbs. 90°/ 70°F	Min. Circuit/Max. Fuse Size	Amperage	Voltage	Circuit Wires (including ground)	Heat Rejection BTU/hr.			
Air	F-300BAJ	353	247	12.0	N/A	6.14	15A	7.8A	115V/60/1	NEMA 5-15P	2,300	9.2 oz.	182 / 200
Air	F-500BAJ	536	420	12.0	N/A	5.05	20A	13.8A	115V/60/1	3	2,500	1 lb. 0.6 oz.	220 / 265

### Flaked Dimensions\*



\* approximate size in inches, image not to scale

### Operating Limits

- Ambient Temp Range 45 - 100°F
- Water Temp Range 45 - 90°F
- Water Pressure 10 - 113 PSIG
- Voltage Range 104-127V
- If GFCI is required, a GFCI breaker MUST be used in lieu of GFCI receptacle

### Service

- Allow 24" (61 cm) clearance at top for removal of auger and 6" (15 cm) clearance at rear and sides for proper air circulation and ease of maintenance/service.
- Removable air filter

### Plumbing

- Icemaker Water Supply Line: Minimum 1/4" Nominal ID Copper Water Tubing or Equivalent
- Icemaker Drain Line: Minimum 3/4" Nominal ID Hard Pipe or Equivalent
- Circuit breaker or fuse protects gear motor from overload
- Gear motor runs one minute after termination of ice making to clear all ice from evaporator.
- F-500 does not include power cord

### Water Filter

Please refer to water filter specification sheet for recommendations.



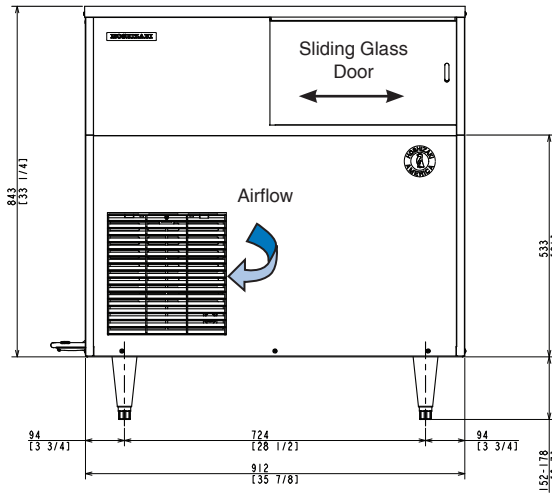
# F-300/500BAJ

Self-Contained Flaker with Built-In Storage



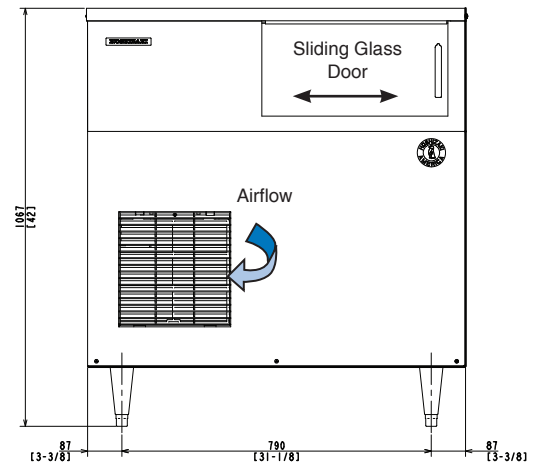
F-300/500BAJ  
07/02/24  
Item # 13142

FRONT VIEW



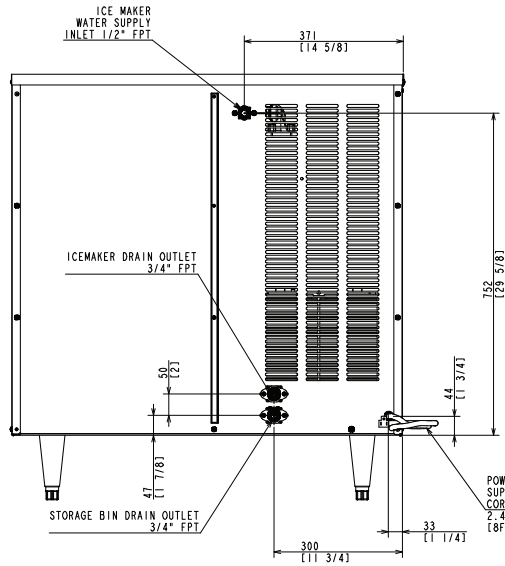
F-300

mm  
[inch]

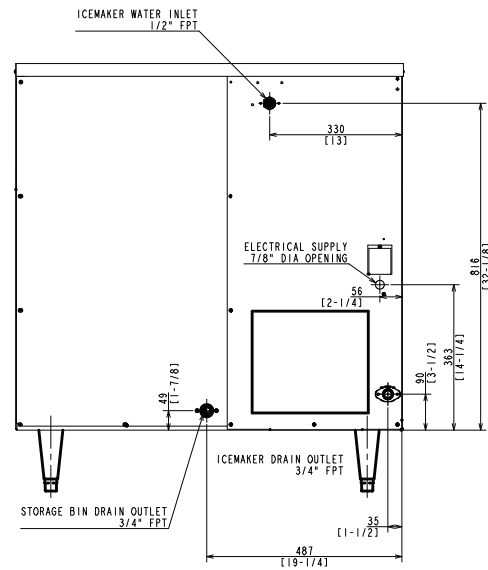


F-500

REAR VIEW

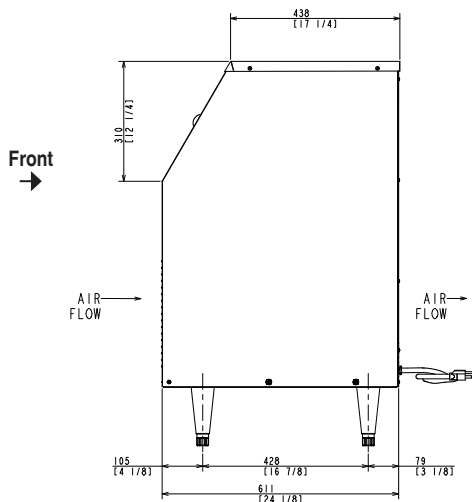


F-300

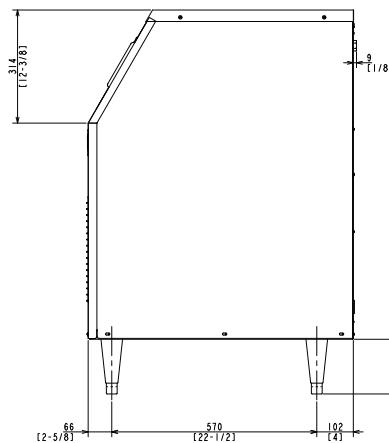


F-500

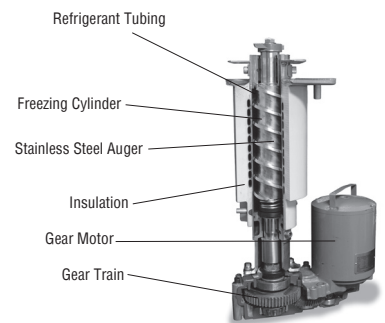
SIDE VIEW



F-300



F-500



EVAPORATOR