



# TABLES AND SINKS

SERVING THE FOOD INDUSTRY SINCE 1951

## UNDER COUNTER DISH TABLES



- Made of polished stainless steel.
- 18-gauge 304 stainless steel.
- Comes with an 8-inch backsplash with 2" return at 45° angle to minimize spills and splashes.
- 3 1/2" diameter drain.
- Available in left and right orientation.
- Comes with 26-inch stainless steel bullet feet legs with cross bracing.



**WARRANTY**



Authorized Dealer

# TABLES AND SINKS

48" LEFT / RIGHT SIDE UNDER COUNTER DISH TABLES

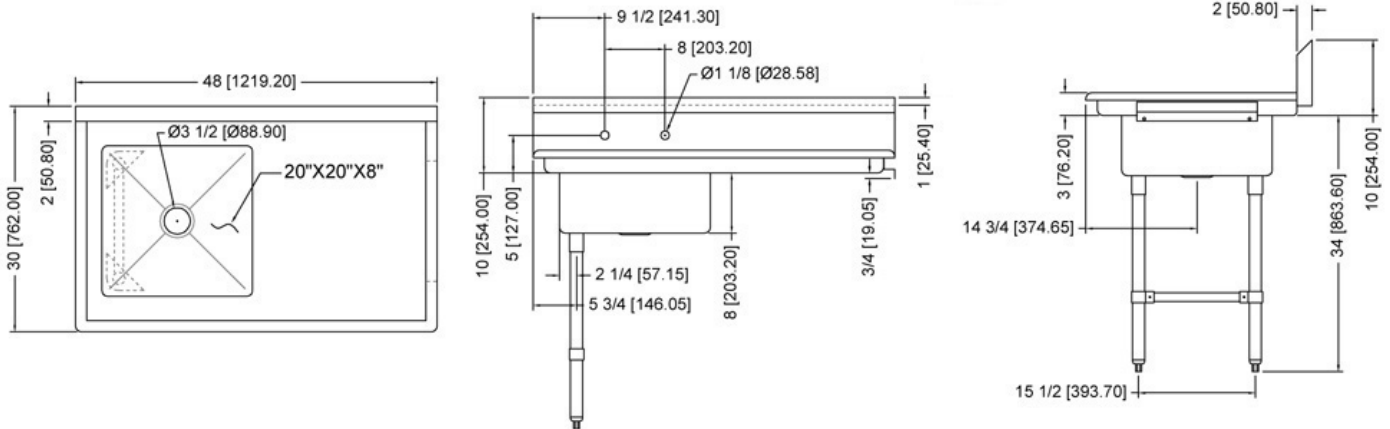


## TECHNICAL SPECIFICATIONS

ITEM	40189	40190
DESCRIPTION	48" left side under counter dish table	48" right side under counter dish table
DIMENSIONS (DWH)	50" x 30" x 44" / 1270 x 762 x 117.6 mm	

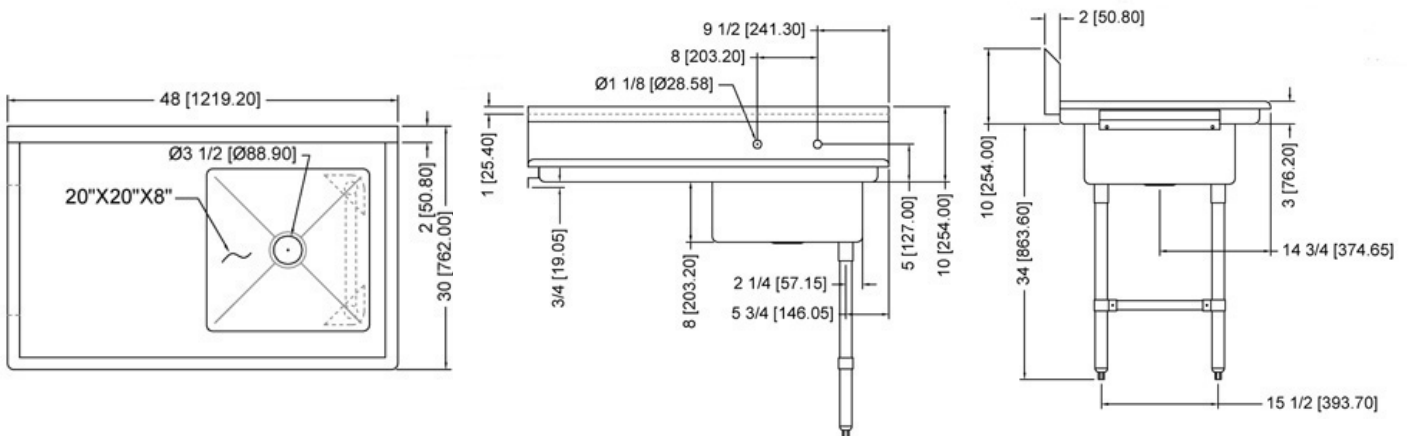
## TECHNICAL DRAWINGS AND DIMENSIONS

### 40189



## TECHNICAL DRAWINGS AND DIMENSIONS

### 40190



## OMCAN INC.

Telephone: 1-800-465-0234  
 Fax: (905) 607-0234  
 Email: sales@omcan.com  
 Website: www.omcan.com



Follow us to keep up to date with the latest news and offers



# TABLES AND SINKS

60" LEFT / RIGHT SIDE UNDER COUNTER DISH TABLES

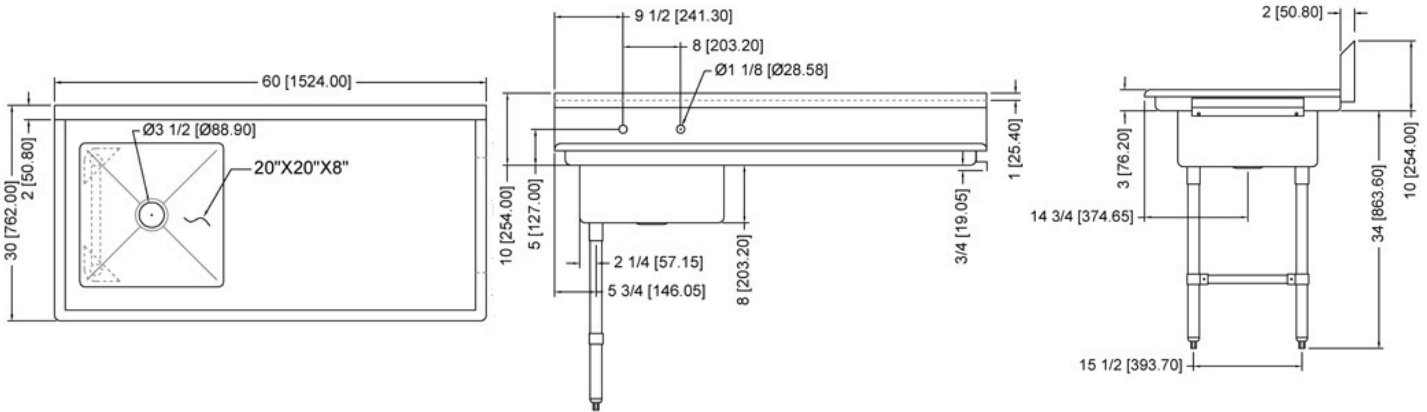


## TECHNICAL SPECIFICATIONS

ITEM	40191	40192
DESCRIPTION	60" left side under counter dish table	60" right side under counter dish table
DIMENSIONS (DWH)	62" x 30" x 44" / 1574.8 x 762 x 117.6 mm	

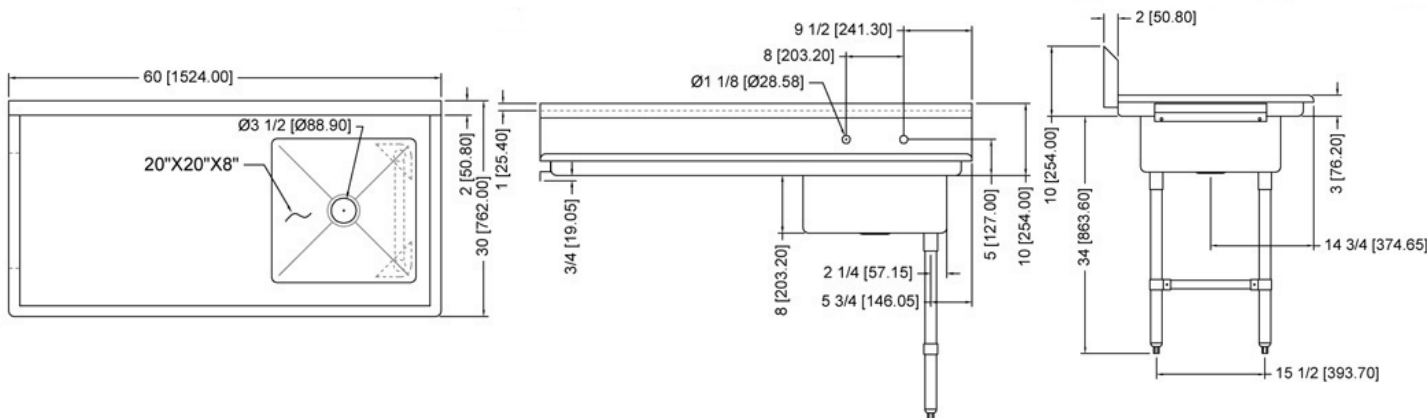
## TECHNICAL DRAWINGS AND DIMENSIONS

**40191**



## TECHNICAL DRAWINGS AND DIMENSIONS

**40192**



**OMCAN INC.**

Telephone: 1-800-465-0234  
 Fax: (905) 607-0234  
 Email: sales@omcan.com  
 Website: www.omcan.com



Follow us to keep up to date with the latest news and offers

