

BLUELVA



GAS RANGE BLR36-6B / 6 Burner Gas Range

PRODUCT DESCRIPTION

-  12" x 12" Heavy Duty, removable cast iron Burner Grates
-  Oven Temperature Range - 175 F to 500 F
-  Gas Ranges are all Natural Gas (NG) Standard. LP conversion kit is included.
-  Two Chrome racks per oven section standard. Interior offers multiple position rack guides.
-  Porcelainized interior for easy cleaning
-  6" casters with lock for easy mobility.
- the front casters comes with (2) with break and (2) without break for the rear
-  High quality stainless steel & robust design



Cooking



Knobs



MODEL#

BLR36-6B

DIMENSIONS

Width Depth Height

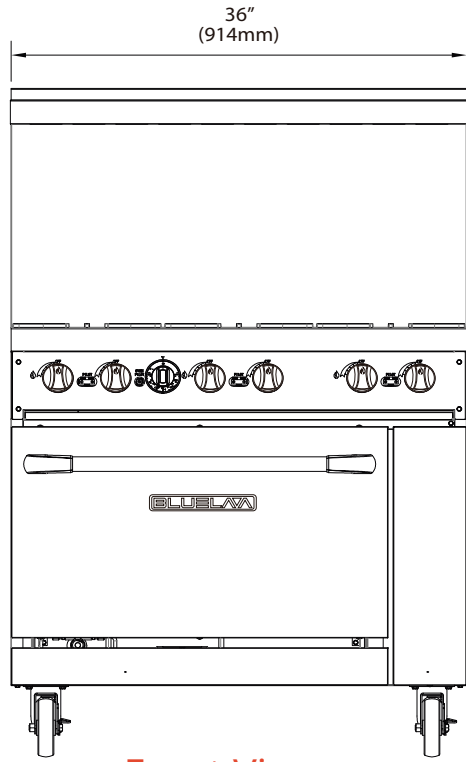
36 in 31 1/2 in 56 in

* All measurement are presented in Inches

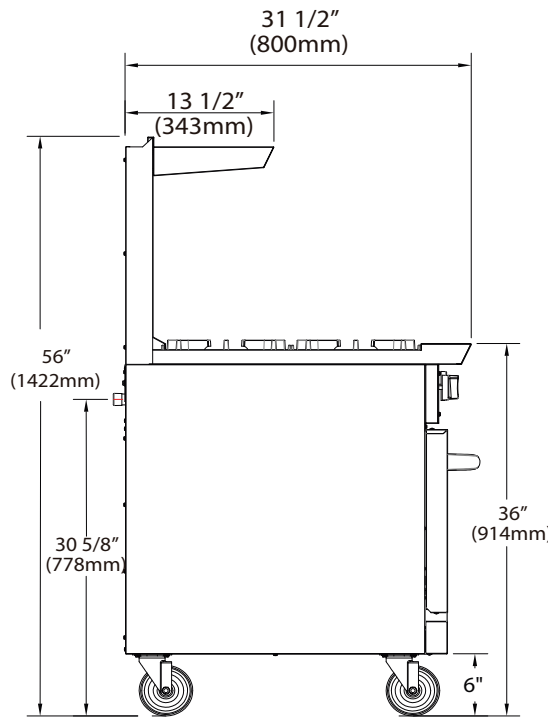


DETAILS & SPECIFICATIONS

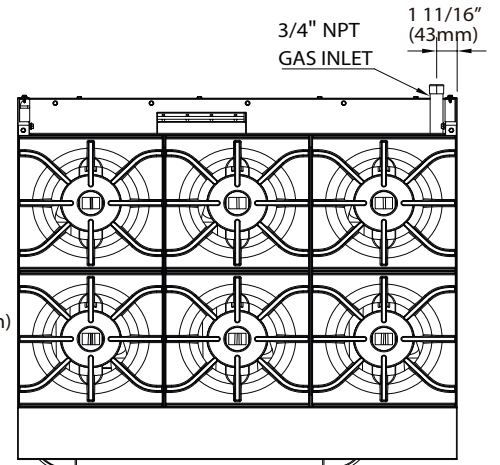
GAS RANGE **BLR36-6B / 6 Burner Gas Rang**



Front View



Side View



Top View

BLR36-6B		LPG		NG	
		Hot Plate	Oven	Hot Plate	Oven
GAS TYPE	BURNERS	6	1	6	1
LPG/NG	BTU/H PER BURNER	30,000	35,000	33,000	35,000
WORKING AREA	NOZZLE #	52	49	41	38
36" x 24"	TOTAL OUTPUT BTU	180,000	35,000	198,000	35,000
	GAS PRESSURE	10		5	

Model	Packaging Dimensions (inches)			Net Weight (lbs)	Ship Weight (lbs)	Container Capacity 40' HQ
	W	D	H			
BLR36-6B	38"	36 4/5"	38 1/5"	384.96	438.68	52

BLUELVA
orders@blueairfse.com

223 W. Rosecrans Ave., CA 90248
9 W. Shelton Terrace #A, Hillside, NJ 07205
7025 Amwiler industrial Drive, Suite A, Atlanta GA

T: 310-808-0102
T: 908-688-0970
T: 470-625-0182