



SERVING THE FOOD INDUSTRY SINCE 1951

Hand Sink & Floor Mop Sink

Item: 47246

Model: CHSMS-211734

Convenience in cleaning. Useful tool for mopping your floors and more

KEY FEATURES

- Hand sink & mop combination
- 18 gauge, type 304 stainless steel hand sink, cabinet body, mop sink, and wall mount clips
- Gooseneck faucet included
- Hand sink 1½ in drain basket
- Mop sink 3½ in. drain basket



Telephone: 1-800-465-0234

Fax: (905) 607-0234

Email: sales@omcan.com

Website: www.omcan.com

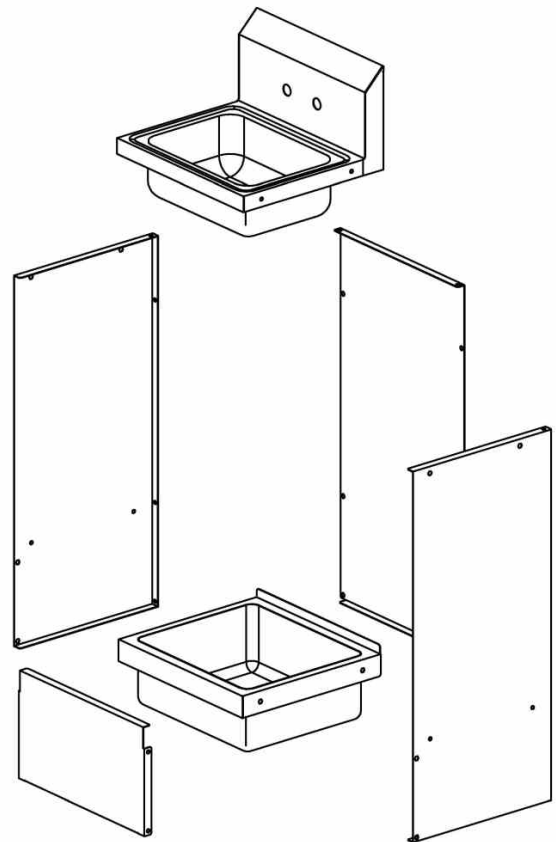
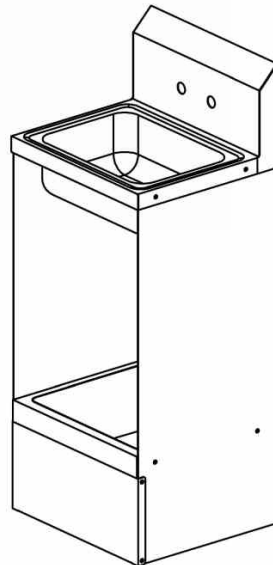
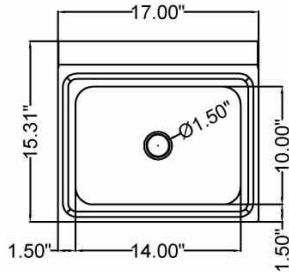
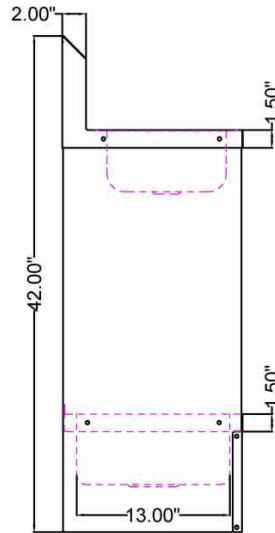
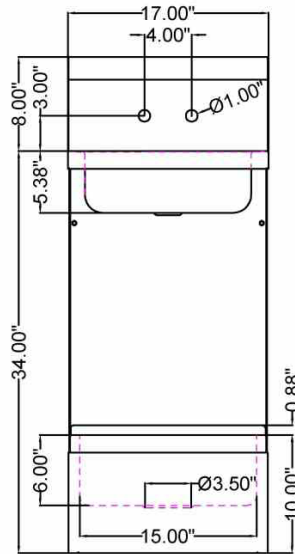


Authorized Dealer



TECHNICAL DRAWING

(Measurements in diagrams are in inches)



SPECIFICATION

Item	47246
Model	CHSMS-211734
Hand Sink Bowl	14" x 10" x 5.38" 355.6 x 254 x 136.7 mm
Mop Sink Bowl	15" x 13" x 6" 381 x 330.2 x 152.4 mm
Net Weight	41.4 lbs / 18.8 kg
Gross Weight	47.2 lbs / 21.4 kg
Net Dimensions with 8" Backsplash (WDH)	15.31" x 17" x 34" 388.9 x 431.8 x 863.6 mm
Gross Dimensions (WDH)	22" x 18.1" x 43" 558.8 x 459.7 x 1092.2 mm

