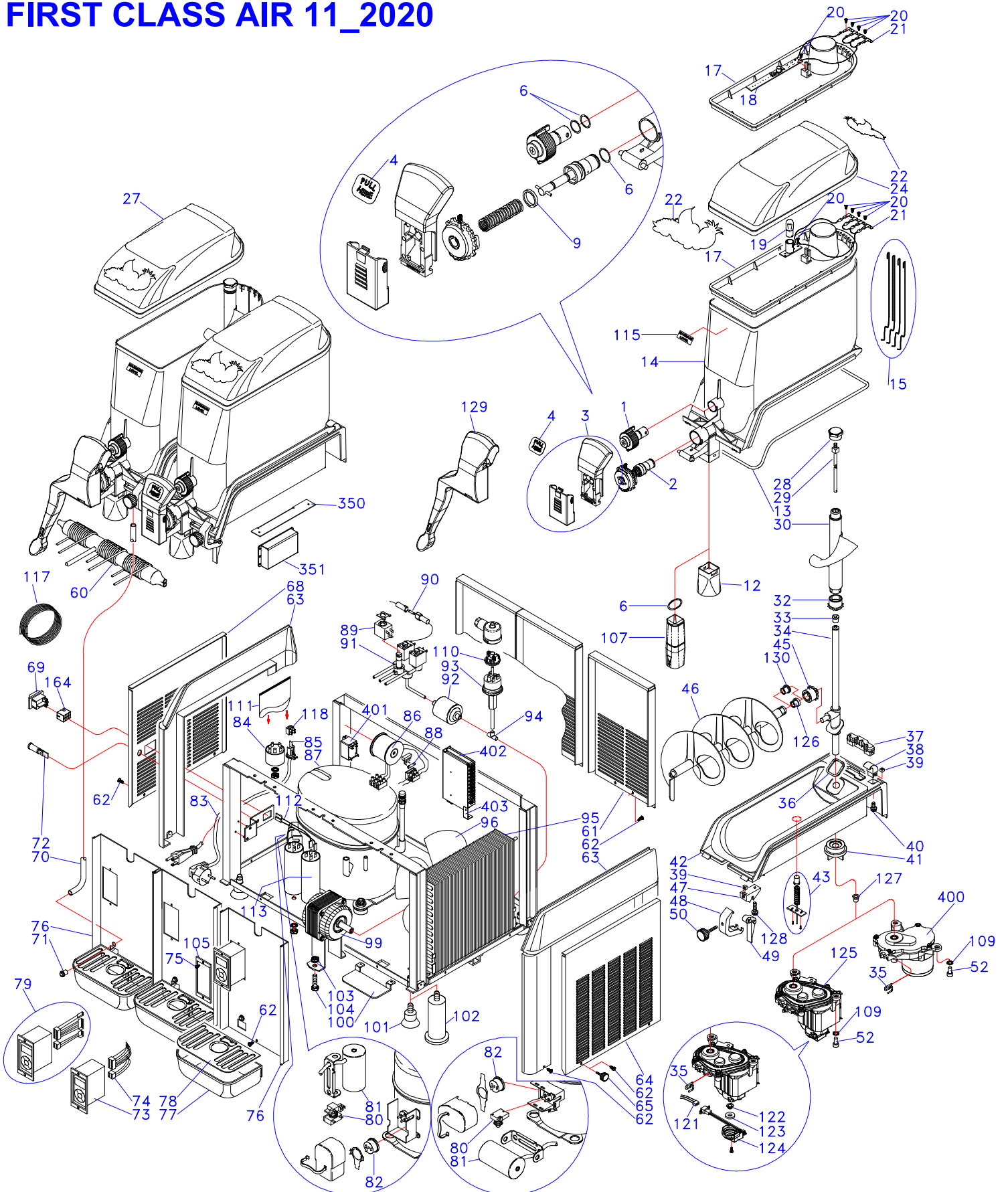
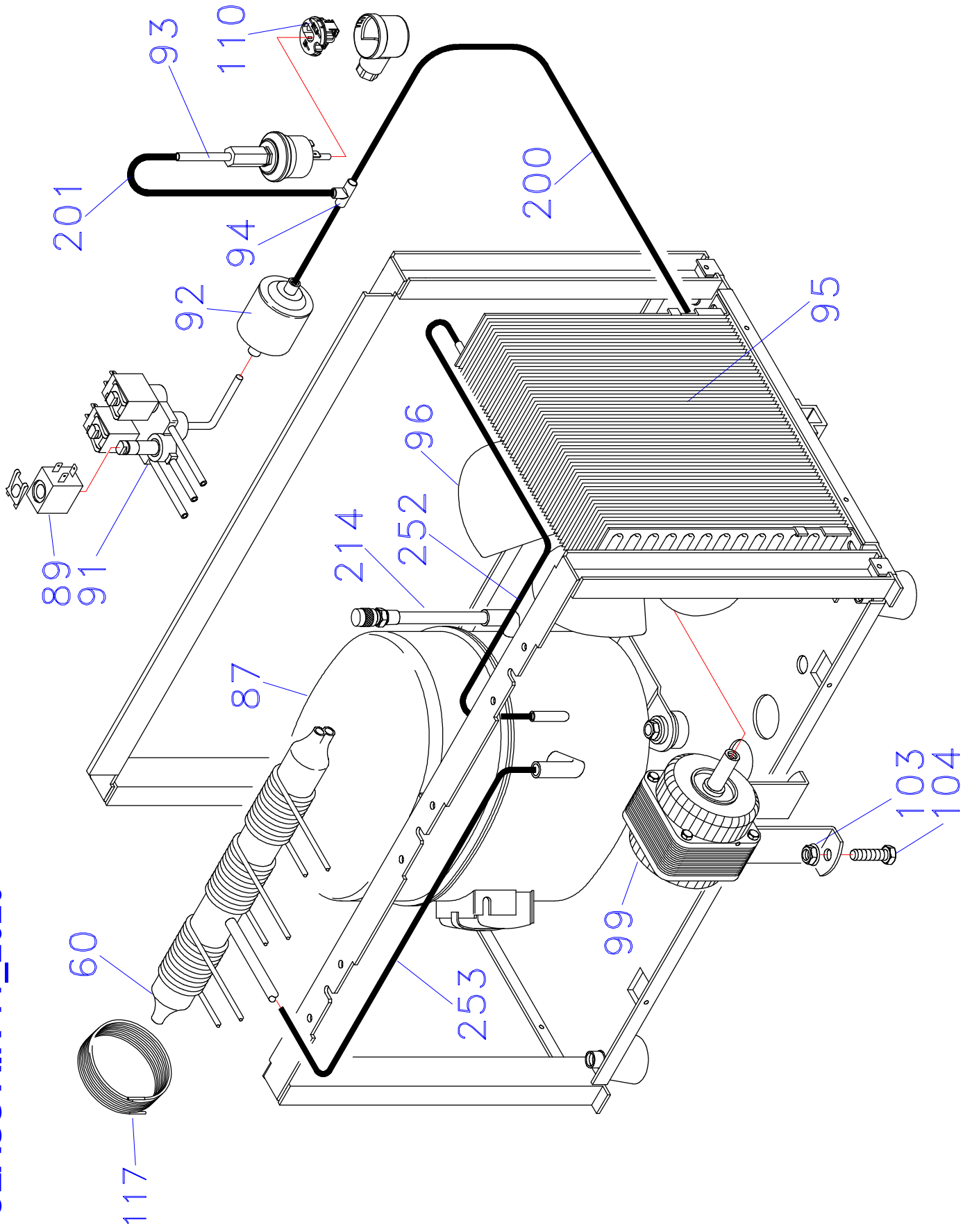


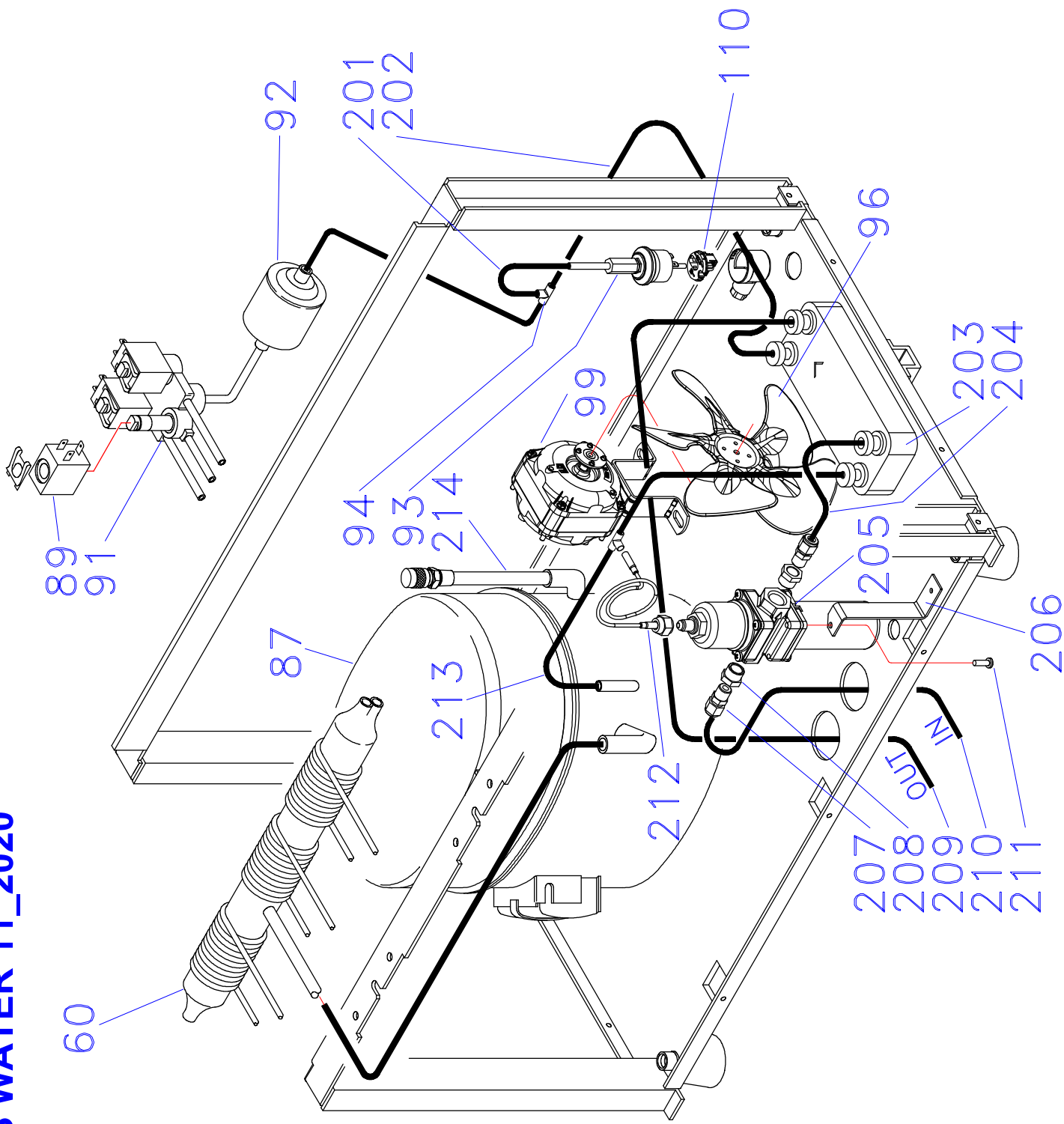
# FIRST CLASS AIR 11\_2020



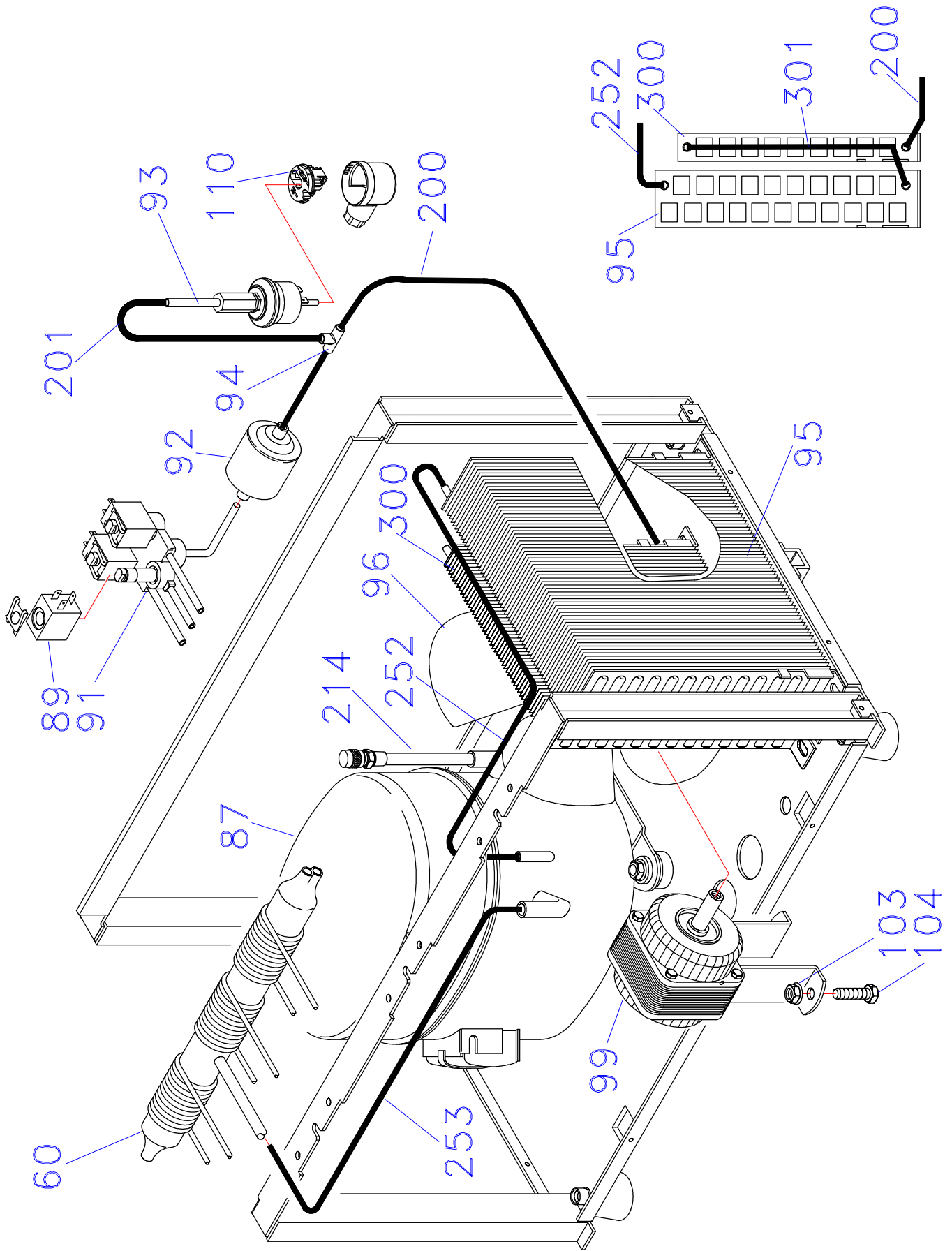
# FIRST CLASS AIR 11\_2020



# FIRST CLASS WATER 11\_2020

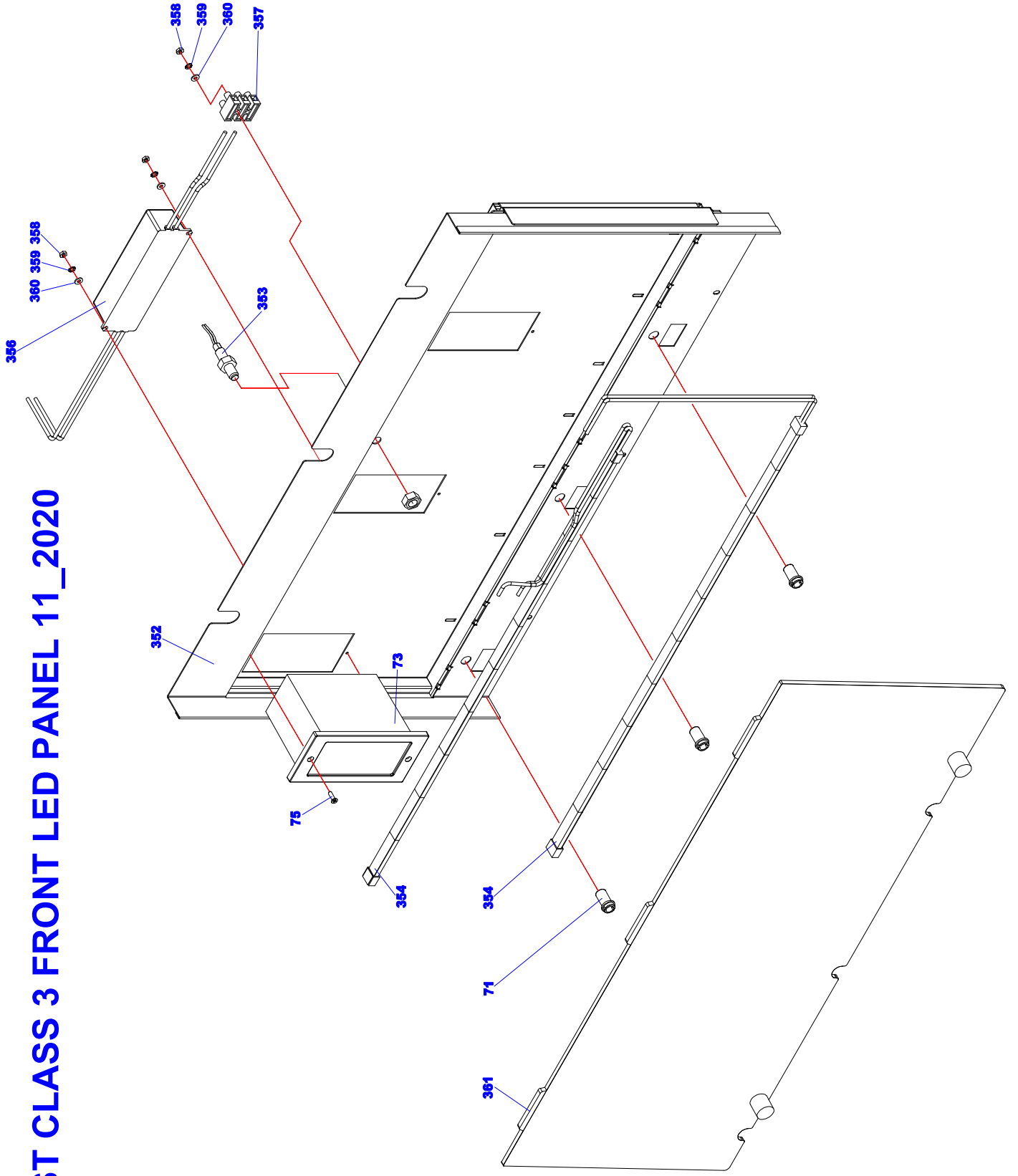


# FIRST CLASS TROPICAL 11\_2020





# FIRST CLASS 3 FRONT LED PANEL 11\_2020



**FIRST CLASS: Listino Ricambi\Spare Part Price List 2020 Rev.11**

CODICE	ESP	DESCRIZIONE	DESCRIPTION	FC1	FC2	FC3	115 /60	230 /50	220 /60	100/ 50- /60 100/ 60
M0004109-002	1	ASSIEME GHIERA-MANICOTTO VERSIONE 2012	RING NUT HORIZONTAL AUGER 2012 VERSION	*	*	*	*	*	*	*
M0003126-003	2	ASSIEME GHIERA-LEVETTA CON PISTONE VERSIONE 2014 (ASTINA FIBRA VETRO)	RING NUT LEVER COVER PISTON 2014 VERSION (GLASS FABER)	*	*	*	*	*	*	*
M0003126-001	2	ASSIEME GHIERA-LEVETTA CON PISTONE (ASTINA INOX)	RING NUT LEVER COVER PISTON (STAINLESS STEEL AXE)	*	*	*	*	*	*	*
M0003139-001	3	ASSIEME LEVA+COPERCHIO NERO VERSIONE 2012	BLACK HANDLE AND COVER 2012 VERSION	*	*	*	*	*	*	*
A0006111-001	4	ADESIVO "PULL HERE"	"PULL HERE" STICKER	*	*	*	*	*	*	*
OR13000117	6	O-RING 117 SILICONE	O-RING 117	*	*	*	*	*	*	*
M0003117-001	9	GUARNIZIONE GOLA RUBINETTO SILICONE	OUTLET BACK GASKET	*	*	*	*	*	*	*
M0006134-001	12	PROLUNGA CORPO RUBINETTO	DISPENSING SPOUT	*	*	*	*	*	*	*
M0006134-002	12	PROLUNGA CORPO RUBINETTO CON ADESIVO "BICCHIERE"	DISPENSING SPOUT CUP VERSION	*	*	*	*	*	*	*
M0000106-001	13	GUARNIZIONE PER VASCA	GASKET TRANSPARENT TANK	*	*	*	*	*	*	*
M0000147-001	14	VASCA TRASPARENTE	TRANSPARENT TANK	*	*	*	*	*	*	*
M0005159-001	15	KIT FILI CONTATTO BASSA TENSIONE INOX	LOW VOLTAGE CONTACT WIRES KIT	*	*	*	*	*	*	*
M0006108-001	17	VETRO CUPOLA	LAMP GLASS	*	*	*	*	*	*	*
MG005101-001	18	LAMPADA 9 LED 12VAC/24VDC	9 LED LAMP 12VAC/24VDC	*	*	*	*	*	*	*
VTT2.9X9.5CR	20	VITE TC 2.9X9.5MM GROCE	SCREW TC 2.9X9.5	*	*	*	*	*	*	*
M0005109-001	21	LAMELLA 12VAc CUPOLA	12V CONTACT FOR TANK	*	*	*	*	*	*	*
M0006129-001	22	ADESIVO ELMECO CUPOLA	PLASTIC LENS STICKER	*	*	*	*	*	*	*
M0006193-004	24	CUPOLA NERO NUOVA	BLACK LID NEW	*	*	*	*	*	*	*
M0006193-005	24	CUPOLA GIALLO NUOVA	YELLOW LID NEW	*	*	*	*	*	*	*
M0006193-006	24	CUPOLA BLU NUOVA	BLUE LID NEW	*	*	*	*	*	*	*
M0006193-008	24	CUPOLA BIANCA NUOVA	WHITE LID NEW	*	*	*	*	*	*	*
M0006125-019	27	CUPOLA COMPLETA NERO KEK	KEC BLACK TOP LIGHT COVER COMPLETE	*	*	*	*	*	*	*
M0006125-017	27	CUPOLA COMPLETA NERO SENZA ADESIVI	BLACK TOP LIGHT COVER COMPLETE NO STICKERS	*	*	*	*	*	*	*

**FIRST CLASS: Listino Ricambi\Spare Part Price List 2020 Rev.11**

CODICE	ESP	DESCRIZIONE	DESCRIPTION	FC1	FC2	FC3	115 /60	230 /50	220 /60	100/ 50-100/ 60
M0006125-013	27	CUPOLA COMPLETA BLU NESTLE'	NESTLE' BLU TOP LIGHT COVER COMPLETE	*	*	*	*	*	*	*
M0006125-018	27	CUPOLA COMPLETA BLU SENZA ADESIVI	BLU TOP LIGHT COVER COMPLETE NO STICKERS	*	*	*	*	*	*	*
M0006125-005	27	CUPOLA COMPLETA NERO 1	BLACK TOP LIGHT COVER COMPLETE	*	*	*	*	*	*	*
M0006125-007	27	CUPOLA COMPLETA SLUSH PUPPIE CANADA 1	SLUSH PUPPIE CANADA TOP LIGHT COVER COMPLETE	*	*	*	*	*	*	*
M0006125-008	27	CUPOLA COMPLETA GIALLO	YELLOW TOP LIGHT COVER COMPLETE	*	*	*	*	*	*	*
M0006125-012	27	CUPOLA COMPLETA BLU	BLU TOP LIGHT COVER COMPLETE	*	*	*	*	*	*	*
M00061129-001	27	ASS. CUPOLA FC NERO	BLACK TOP LIGHT COVER COMPLETE NO STICKER	*	*	*	*	*	*	*
M0000107-001	28	GHIERA FISSAGGIO ELICA VERTICALE FC/BB	FC/BB RING NUT VERTICAL PROPELLER	*	*	*	*	*	*	*
M0000108-001	29	ALBERO TRASMISSIONE CON DADO	TRANSMISSION SHAFT WITH NUT	*	*	*	*	*	*	*
M0004111-001	30	ELICA VERTICALE COMPLETA DI BOCCOLA INOX	VERTICAL AUGER COMPLETE OF BUSHING	*	*	*	*	*	*	*
M0004104-001	32	PIGNONE ELICA VERTICALE FINO A MATRICOLA 140502075	PINION VERTICAL AUGER UNTIL S/N 140502075	*	*	*	*	*	*	*
M0004104-002	32	PIGNONE ELICA VERTICALE A PARTIRE DALLA MATRICOLA 140502076	PINION VERTICAL AUGER FROM S/N 140502076	*	*	*	*	*	*	*
M0000104-001	33	BOCCOLA CANOTTO TRASMISSIONE	BUSHING TRANSMISSION SHAFT	*	*	*	*	*	*	*
M0000161-002	34	KIT CANOTTO TRASMISSIONE COMPLETO BOCCOLA+O-RING VERSIONE 2014	TRANSMISSION SHAFT WITH SLEEVE+ORING 2014 VERSION	*	*	*	*	*	*	*
A0001104-001	35	SPINA BLOCCAGGIO MOTOR./ALBERO TRASMISSIONE	GEAR MOTOR/TRANSMISSION SHAFT PIN	*	*	*	*	*	*	*
A0000114-001	36	GUARNIZIONE O-RING CANOTTO TRASMISSIONE VERSIONE 2012	TRANSMISSION SHAFT ORING 2012 VERSION	*	*	*	*	*	*	*



**FIRST CLASS: Listino Ricambi\Spare Part Price List 2020 Rev.11**

CODICE	ESP	DESCRIZIONE	DESCRIPTION	FC1	FC2	FC3	115 /60	230 /50	220 /60	100/ 50- /60 100/ 60
M0000114-001	36	GUARNIZIONE PIATTA CANOTTO TRASMISSIONE	TRANSMISSION SHAFT FLAT GASKET	*	*	*	*	*	*	*
M0005117-004	37	MORSETTIERA FASTON COMPLETA NERO	BLACK TERMINAL BOARD COMPLETE	*	*	*	*	*	*	*
M0006103-003	38	CERNIERA POSTERIORE NERO	BLACK REAR HINGE	*	*	*	*	*	*	*
M0000120-001	39	DADO QUADRO M5 ZINCATO	M5 SQUARE NUT	*	*	*	*	*	*	*
M0001101-001	40	VITE TE FLANGIATA M5X12MM	SCREW TE 5X12MM	*	*	*	*	*	*	*
M0000105-001	41	GHIERA FISSAGGIO CANOTTO	RING NUT SHAFT FASTENING	*	*	*	*	*	*	*
M0002112-007	42	ASSIEME VASCA COMPLETA NERO	BLACK COMPLETE INOX TANK	*	*	*	*	*	*	*
M0000157-002	43	ASSIEME SONDA TERMOSTATO ELETTRONICO	ELECTRONIC THERMOSTAT PROBE COMPLETE	*	*	*	*	*	*	*
M0004105-002	45	PIGNONE ELICA ORIZZONTALE	HORIZONTAL AUGER GEAR	*	*	*	*	*	*	*
M0004110-002	46	ELICA ORIZZONTALE COMPLETA DI BOCCOLA VERS. 2012	HORIZONTAL AUGER COMPLETE OF BUSHING 2012_VERS.	*	*	*	*	*	*	*
M0006116-003	47	BASE NERO	BLACK BASE	*	*	*	*	*	*	*
M0006102-003	48	GANCIO CERNIERA NERO	BLACK HINGE HOOK	*	*	*	*	*	*	*
M0006115-003	49	CERNIERA ANTERIORE NERO	BLACK FRONT HINGE	*	*	*	*	*	*	*
M0006119-001	50	MANOPOLA FISSAGGIO GANCI M5X25mm	LOCKING BOLT	*	*	*	*	*	*	*
M0000122-001	52	VITE TCEI M6X12MM	SCREW 6X12	*	*	*	*	*	*	*
M0102112-001	60	BOYLER FC1	FC1 ACCUMULATOR	*	*	*	*	*	*	*
BOYLERM2CAP	60	BOYLER FC2 (3MTX1.06MM)	FC2 ACCUMULATOR (3MTX1.06MM)		*	*	*	*	*	*
BOYLERM3CAP	60	BOYLER FC3 (5MTX1.06MM)	FC3 ACCUMULATOR (5MTX1.06MM)			*	*	*	*	*
M0006161-001	61	PANNELLO POSTERIORE INOX CON ASOLE 42°	BACK STAINLESS STEEL PANEL WITH HOLES - 42°C		ML_TR	ML_TR		*	*	
M0006112-001	61	PANNELLO POSTERIORE INOX CON ALETTATURA	BACK STAINLESS STEEL PANEL WITH LOUVERS		ST_ALL ML_A ML_W GREEN G404	ST_ALL ML_A ML_W GREEN G404		*	*	*
M0106108-001	61	PANNELLO POSTERIORE INOX CON ASOLE FC1	BACK STAINLESS STEEL PANEL WITH HOLES - FC1	*			*	*	*	*

**FIRST CLASS: Listino Ricambi\Spare Part Price List 2020 Rev.11**

CODICE	ESP	DESCRIZIONE	DESCRIPTION	FC1	FC2	FC3	115 /60	230 /50	220 /60	100/ 50- /60 100/ 60
M0006124-001	62	VITE TC 3.9X9.5MM CROCE	SCREW 3.9X9.5	*	*	*	*	*	*	*
M0006192-004	63	KIT FIANCHI DX+SX NERO	KIT PLASTIC PANEL RIGHT\LEFT BLACK	*	*	*	*	*	*	*
M0006192-005	63	KIT FIANCHI DX+SX GIALLO	KIT PLASTIC PANEL RIGHT\LEFT YELLOW	*	*	*	*	*	*	*
M0006192-006	63	KIT FIANCHI DX+SX BLU	KIT PLASTIC PANEL RIGHT\LEFT BLUE	*	*	*	*	*	*	*
M0006192-010	63	KIT FIANCHI DX-SX FC BIANCO	KIT PLASTIC PANEL RIGHT\LEFT WHITE	*	*	*	*	*	*	*
M0006113-001	64	PANNELLO LATERALE DX INOX CON ALETTATURA	RIGHT SIDE STAINLESS STEEL PANEL WITH LOUVERS	ML_A GREEN G404	ML_W	ML_W	*	*	*	*
M0006126-001	64	PANNELLO LATERALE DX INOX CON ASOLE (LATO CONDENSATORE)	RIGHT SIDE STAINLESS STEEL PANEL (CONDENSER SIDE)	ML_A GREEN G404	ML_A GREEN G404	ML_A GREEN G404	*	*	*	*
M0006159-001	64	PANNELLO LATERALE DX INOX CON ASOLE 42°C (LATO CONDENSATORE)	RIGHT SIDE PANEL WITH HOLES (CONDENSER SIDE) - 42°C	ML_TR	ML_TR	ML_TR	*	*	*	*
A0006102-001	65	MANOPOLA FISSAGGIO PANNELLO LATERALE M4X10MM	KNOB SIDE PANEL		*	*	*	*	*	*
M0006198-001	68	PANNELLO INOX LATERALE SX FC CON ALETTATURA E FORI INTERRUPTORE-SPIA PRESSOSTATO	LEFT SIDE PANEL WITH LOUVERS AND MAIN SWITCH+PRESSURE SWITCH LIGHT	ML_A	ML_A ML_W	ML_A ML_W	*	*	*	*
I82L2206165	69	INTERRUPTORE GENERALE	MAIN SWITCH	*	*	*	*	*	*	*
TSC8X11	70	TUBO SCARICO CONDENZA f 8X11MM	DRAIN SILICON TUBE f 8X11MM	*	*	*	*	*	*	*
B06.031C	71	ATTACCO SCARICO CONDENZA	DRAIN PLASTIC CONNECTION	*	*	*	*	*	*	*
A0005104-001	72	SPIA ROSSA PRESSOSTATO 230V	COMPRESSOR WARNING RED LIGHT 230V	ST_ALL ML_ALL	ST_ALL ML_ALL	ST_ALL ML_ALL	*	*	*	*
A0005105-001	72	SPIA ROSSA PRESSOSTATO 115V	COMPRESSOR WARNING RED LIGHT 115V	ST_ALL ML_ALL	ST_ALL ML_ALL	ST_ALL ML_ALL	*	*	*	*
A0005105-002	72	SPIA VERDE 110V SX28H11V2E00000	GREEN LIGHT WARNING COMPRESSOR 110V	GREEN G404	GREEN G404	GREEN G404	*	*	*	*

**FIRST CLASS: Listino Ricambi\Spare Part Price List 2020 Rev.11**

CODICE	ESP	DESCRIZIONE	DESCRIPTION	FC1	FC2	FC3	115 /60	230 /50	220 /60	100/ 50- /100/ 60
A0005104-002	72	SPIA VERDE 230V SX28H11E2E00000	GREEN LIGHT WARNING COMPRESSOR 230V	GREEN G404	GREEN G404	GREEN G404	*	*	*	
M0005167-001	73	ELETTRONICA COMPLETA MILLENNIUM INGLESE "MODULO VASCA"	MILLENNIUM ELECTRONIC BOARD ENGLISH	ML_ALL	ML_ALL	ML_ALL	*	*	*	*
M0005167-002	73	ELETTRONICA COMPLETA MILLENNIUM SPAGNOLO "MODULO VASCA"	MILLENNIUM ELECTRONIC BOARD SPANISH	ML_ALL	ML_ALL	ML_ALL	*	*	*	*
M0005167-006	73	ELETTRONICA COMPLETA MILLENNIUM INGLESE "MODULO VASCA" LEVITT	MILLENNIUM ELECTRONIC BOARD ENGLISH - LEVITT	ML_ALL	ML_ALL	ML_ALL	*	*	*	*
M0005166-001	73	ELETTR. FC VASCA GREEN DC ENG 32EB4	FC GREEN ELECTRONIC BOARD ENGLISH	GREEN G404	GREEN G404	GREEN G404	*	*	*	*
M0005166-002	73	ELETTR. FC VASCA GREEN DC SPAGNOLO	FC GREEN ELECTRONIC BOARD SPANISH	GREEN G404	GREEN G404	GREEN G404	*	*	*	*
M0105101-001	74	IMPIANTO ELETTRICO FC1 STANDARD	FC1 STANDARD ELECTRICAL WIRING	ST_ALL			*	*	*	*
M0205101-001	74	IMPIANTO ELETTRICO FC2 STANDARD	FC2 STANDARD ELECTRICAL WIRING		ST_ALL		*	*	*	*
M0305101-001	74	IMPIANTO ELETTRICO FC3 STANDARD	FC3 STANDARD ELECTRICAL WIRING			ST_ALL	*	*	*	*
M0105103-001	74	IMPIANTO ELETTRICO FC1 MILLENNIUM	MILLENNIUM ELECTRICAL WIRING FC1	ML_ALL			*	*	*	*
M0205103-002	74	IMPIANTO ELETTRICO FC2 MILLENNIUM	MILLENNIUM ELECTRICAL WIRING FC2		ML_ALL		*	*	*	*
M0305103-002	74	IMPIANTO ELETTRICO FC3 MILLENNIUM	MILLENNIUM ELECTRICAL WIRING FC3			ML_ALL	*	*	*	*
M0105104-001	74	IMPIANTO ELETTRICO FC1 GREEN	FC1 GREEN ELECTRICAL WIRING	GREEN G404			*	*	*	*
M0205104-001	74	IMPIANTO ELETTRICO FC2 GREEN	FC2 GREEN ELECTRICAL WIRING		GREEN G404		*	*	*	*
M0305105-001	74	IMPIANTO ELETTRICO FC3 GREEN	FC3 GREEN ELECTRICAL WIRING			GREEN G404	*	*	*	*
M0005135-001	75	VITE TSP 2.9X9.5MM CROCE	SCREW 2.9X9.5	*	*	*	*	*	*	*

**FIRST CLASS: Listino Ricambi\Spare Part Price List 2020 Rev.11**

CODICE	ESP	DESCRIZIONE	DESCRIPTION	FC1	FC2	FC3	115 /60	230 /50	220 /60	100/ 50- 100/ 60
M0006111-002	76	PANNELLO FRONTALE INOX	STAINLESS STEEL FRONT PANEL	*	*	*	*	*	*	*
M0006110-004	77	SGOCCIOLATOIO CONDENSA NERO	BLACK DRIP TRAY	*	*	*	*	*	*	*
M0006117-001	78	GRIGLIA SGOCCIOLATOIO ABS NERO FC	PLASTIC BLACK DRIP TRAY	*	*	*	*	*	*	*
M0005127-003	79	ELETTR. FC MILL + KIT UPGRADE STD	ELECTR. FC MILL + KIT UPGRADE STD	ST_ALL	ST_ALL	ST_ALL	*	*	*	*
A5405102-001	80	RELE' COMPRESSORE NEK2125GK 115V/60HZ-100V/50HZ-100V/50HZ 2283039	RELAY NEK2125GK 115V/60HZ-100V/50HZ 2283039	ST_ALL ML_ALL			*			*
A2405101-001	80	RELE' COMPRESSORE EMT2130GK 220-240V/50HZ	RELAY EMT2130GK 220-240V/50HZ	ST_ALL ML_ALL				*		
M2605101-001	80	RELE' COMPRESSORE NT2178GK 220-240V/50HZ 1253012	RELAY NT2178GK 220-240V/50HZ 1253012		ST_A ST_W ML_A ML_W	ST_A ST_W ML_A ML_W		*		
M2605103-001	80	RELE' COMPRESSORE NT2192GK 220-240V/50HZ 1253022	RELAY NT2192GK 220-240V/50HZ 1253022		ST_TR ML_TR	ST_TR ML_TR		*		
M3605101-001	80	RELE' COMPRESSORE NT2192GK 208-230V/60HZ 1253026	RELAY NT2192GK 208-230V/60HZ 1253026		ST_TR ML_TR	ST_TR ML_TR			*	
A3405102-001	80	RELE' COMPRESSORE NEK2134GK 208-230V/60HZ 2271121	RELAY NEK2134GK 208-230V/60HZ 2271121	ST_ALL ML_ALL					*	
M5605101-001	80	RELE' COMPRESSORE NT2178GK 115V/60HZ 1253050	RELAY NT2178GK 115V/60HZ 1253050		ST_ALL ML_ALL	ST_A ST_W ML_A ML_W				
A2405105-001	80	RELE' EMT2130U 230V R290 2334127	RELAY EMT2130U 230V R290 2334127	GREEN				*		
A5405105-001	80	RELE' NEK2134U 115V R290 2271155	RELAY NEK2134U 115V R290 2271155	GREEN			*			
A2605105-001	80	RELE' NEU2168U 230V R290 1253026	RELAY NEU2168U 230V R290 1253026		GREEN	GREEN		*		
A5605105-001	80	RELE' NEU2168U 115V R290 1253069	RELAY NEU2168U 115V R290 1253069		GREEN	GREEN		*		

**FIRST CLASS: Listino Ricambi\Spare Part Price List 2020 Rev.11**

CODICE	ESP	DESCRIZIONE	DESCRIPTION	FC1	FC2	FC3	115 /60	230 /50	220 /60	100/ 50-100/ 60
COND2252096	81	CONDENSATORE AVVIAMENTO COMPRESSORE NE2125GK 115V/60Hz-100V/50HZ	START CAPACITOR NE2125GK 115V/60Hz-100V/50HZ	ST_ALL ML_ALL			*			*
A2405103-001	81	CONDENSATORE AVVIAMENTO COMPRESSORE EMT2130GK 220-240V/50HZ	START CAPACITOR EMT213025GK 220-240V/50HZ	ST_ALL ML_ALL			*			
M2605105-001	81	CONDENSATORE AVVIAMENTO NT2192GK 220-240V/50HZ 2252329	START CAPACITOR NT2192GK 220-240V/50HZ 2252329		ST_TR ML_TR	ST_TR ML_TR		*		
M5605104-001	81	CONDENSATORE MARCIA NT2178GK 115V/60HZ 2253315	RUN CAPACITOR NT2178GK 115V/60HZ 2253315		ST_ALL ML_ALL	ST_A ST_W ML_A ML_W	*			
MD605101-001	81	CONDENSATORE AVVIAMENTO T2180GK 208-230V/60HZ _ NT2178GK 220-240V/50HZ _ NT2192GK 208-230V/60HZ 2252269	START CAPACITOR T2180GK 208-230V/60HZ _ NT2178GK 220-240V/50HZ _ NT2192GK 208-230V/60HZ 2252269		ST_TR ML_TR	ST_TR ML_TR		*	*	
A5405103-001	81	CONDENSATORE AVVIAMENTO COMPRESSORE NEK2125GK 115V/60HZ-100V/50HZ 2252217	START CAPACITOR NEK2125GK 115V/60HZ-100V/50HZ 2252217	ST_ALL ML_ALL			*			*
M5605103-001	81	CONDENSATORE AVVIAMENTO NT2178GK 115V/60HZ 2252273	START CAPACITOR NT2178GK 115V/60HZ 2252273		ST_ALL ML_ALL	ST_A ST_W ML_A ML_W	*			
A3405103-001	81	CONDENSATORE AVVIAMENTO COMPRESSORE NEK2134GK 208-230V/60HZ 2252325	START CAPACITOR NEK2134GK 208-230V/60HZ 2252325	ST_ALL ML_ALL					*	

**FIRST CLASS: Listino Ricambi\Spare Part Price List 2020 Rev.11**

CODICE	ESP	DESCRIZIONE	DESCRIPTION	FC1	FC2	FC3	115 /60	230 /50	220 /60	100/ 50- /100/ 60
A3605102-001	81	CONDENSATORE MARCIA T2180GK 220-240V/50HZ _ T2180GK 208-230V/60HZ _ NT2178GK 220-240V/50HZ _ NT2192GK 220-240V/50HZ _ NT2192GK 208-230V/60HZ 22533310	RUN CAPACITOR T2180GK 220-240V/50HZ _ T2180GK 208-230V/60HZ _ NT2178GK 220-240V/50HZ _ NT2192GK 220-240V/50HZ _ NT2192GK 208-230V/60HZ 22533310		ST_TR ML_TR	ST_TR ML_TR	*	*	*	
A2405106-001	81	CONDENSATORE AVVIAMENTO EMT2130U230VR290 2252345	START CAPACITOR EMT2130U230VR290 2252345	GREEN			*			
A5405106-001	81	CONDENSATORE AVVIAMENTO NEK2134U115V R290 2252324	START CAPACITOR NEK2134U115V R290 2252324	GREEN			*			
A2605106-001	81	CONDENSATORE AVVIAMENTO NEU2168U230VR290 2252269	START CAPACITOR NEU2168U230VR290 2252269		GREEN	GREEN		*		
A2605107-001	81	CONDENSATORE MARCIA NEU2168U 230V R290 2253316	RUN CAPACITOR NEU2168U 230V R290 2253316		GREEN	GREEN		*		
A5605106-001	81	CONDENSATORE AVVIAMENTO NEU2168U 115VR290 2252300	START CAPACITOR NEU2168U115VR290 2252300		GREEN	GREEN	*			
A5605107-001	81	CONDENSATORE MARCIA NEU2168U 115V R290 2253314	RUN CAPACITOR NEU2168U 115V R290 2253314		GREEN	GREEN	*			
A2405102-001	82	PROTETTORE TERMICO COMPRESSORE EMT2130GK 220-240V/50HZ	THERMAL PROTECTOR EMT2130GK 220-240V/50HZ	ST_ALL ML_ALL				*		
M5605102-001	82	PROTETTORE TERMICO NT2178GK 115V/60HZ 2291058	THERMAL PROTECTOR NT2178GK 115V/60HZ 2291058		ST_ALL ML_ALL	ST_A ST_W ML_A ML_W	*			
M2605102-001	82	PROTETTORE TERMICO NT2178GK 220-240V/50HZ 2321110	THERMAL PROTECTOR NT2178GK 220-240V/50HZ 2321110		ST_A ST_W ML_A ML_W	ST_W ST_W ML_A ML_W		*		
M2605104-001	82	PROTETTORE TERMICO NT2192GK 220-240V/50HZ 2321105	THERMAL PROTECTOR NT2192GK 220-240V/50HZ 2321105		ST_TR ML_TR	ST_TR ML_TR		*		

**FIRST CLASS: Listino Ricambi\Spare Part Price List 2020 Rev.11**

CODICE	ESP	DESCRIZIONE	DESCRIPTION	FC1	FC2	FC3	115 /60	230 /50	220 /60	100/50-100/60
M3605102-001	82	PROTETTORE TERMICO NT2192GK 208-230V/60HZ 2321091	THERMAL PROTECTOR NT2192GK 208-230V/60HZ 2321091		ST_TR ML_TR	ST_TR ML_TR			*	
A3405101-001	82	PROTETTORE TERMICO COMPRESSORE NEK2134GK 208-230V/60HZ 2324009	THERMAL PROTECTOR NEK2134GK 208-230V/60HZ 2324009	ST_ALL ML_ALL					*	
A5405101-001	82	PROTETTORE TERMICO COMPRESSORE NEK2125GK 115V/60HZ-100V/50HZ 2321080	THERMAL PROTECTOR NEK2125GK 115V/60HZ-100V/50HZ 2321080	ST_ALL ML_ALL			*			*
A2405104-001	82	PROTETTORE TERMICO EMT2130U 230V R290 2319137	OLP THERMAL PROTECTOR EMT2130U 230V R290 2319137	GREEN			*			
A5405104-001	82	PROTETTORE TERMICO NEK2134U 115V R290 2324063	OLP THERMAL PROTECTOR NEK2134U 115V R290 2324063	GREEN			*			
A2605104-001	82	PROTETTORE TERMICO NEU2168U 230V R290 2321139	OLP THERMAL PROTECTOR NEU2168U 230V R290 2321139		GREEN	GREEN		*		
A5605104-001	82	PROTETTORE TERMICO NEU2168U 115V R290 2321081	OLP THERMAL PROTECTOR NEU2168U 115V R290 2321081		GREEN	GREEN	*			
C013COD.1373	83	CAVO ALIMENTAZIONE SCHUKO 230V	SCHUKO POWER CORD	*	*	*		*	*	
ASS.CAVO-SPINA	83	CAVO ALIMENTAZIONE UK 13A/250VAC	POWER CORD FOR UK	*	*	*		*		
CAVOAL.U15ALAV	83	CAVO ALIMENTAZIONE 115V U.L.	POWER CORD 115 V U.L. FOR USA	*	*	*	*			*
FFLC560501	84	FILTRO ANTIDISTURBO	SUPPRESSOR FILTER	*	*	*		*		
M0005112-001	85	MORSETTIERA PA84/E	CONNECTION FOR SUPPLYING WIRING	*	*	*	*	*	*	*
A6005101-001	86	TRASFORMATORE 100/12Vac 60VA	TRANSFORMER 60VA 100V	ST_ALL ML_ALL	ST_ALL ML_ALL	ST_ALL ML_ALL				*
A0005112-001	86	TRASFORMATORE 115-230/12Vac 40VA	TRANSFORMER 60VA 115-230/12Vac	ST_ALL ML_ALL	ST_ALL ML_ALL	ST_ALL ML_ALL	*	*	*	
A2402102-001	87	COMPRESSORE EMT2130GK 220-240V/50HZ	EMT2130GK 220-240V/50HZ COMPRESSOR	ML_A				*		

**FIRST CLASS: Listino Ricambi\Spare Part Price List 2020 Rev.11**

CODICE	ESP	DESCRIZIONE	DESCRIPTION	FC1	FC2	FC3	115 /60	230 /50	220 /60	100/ 50-100/ 60
A5402101-001	87	COMPRESSORE NEK2125GK 115V/60HZ-100V/50HZ	NEK2125GK 115V/60HZ-100V/50HZ COMPRESSOR	ML_A			*			
A3402101-001	87	COMPRESSORE NEK2134GK 208-230V/60HZ	NEK2134GK 208-230V/60HZ COMPRESSOR	ML_A					*	
M5602101-001	87	COMPRESSORE NT2178GK 115/60 922EG0204AF CSCR	COMPRESSOR NT2178GK 115/60 922EG0204AF CSCR		ST_ALL ML_ALL	ST_A ST_W ML_A ML_W	*			
M3602102-001	87	COMPRESSORE NT2192GK 230/60 923ED0404AF CSCR	COMPRESSOR NT2192GK 230/60 923ED0404AF CSCR		ST_TR ML_TR	ST_TR ML_TR			*	
M2602102-001	87	COMPRESSORE NT2178GK 220/50 922EA0404AC CSCR	COMPRESSOR NT2178GK 220/50 922EA0404AC CSCR			ST_A ST_W ML_A ML_W		*		
M2602103-001	87	COMPRESSORE NT2192GK 220/50 923EA0404AC CSCR	COMPRESSOR NT2192GK 220/50 923EA0404AC CSCR			ST_TR ML_TR		*		
A5402104-001	87	COMPR. NEK2134U 115/60 862AG71M9AJ	COMPR. NEK2134U 115/60 862AG71M9AJ	GREEN			*			
M5602104-001	87	COMPR. NEU2168U 115/60 CSR	COMPRESSOR NEU2168U 115/60 CSR		GREEN	GREEN	*			
A2402103-001	87	COM. EMT2130U 220-240/50 873AA6264AA	COM. EMT2130U 220-240/50 873AA6264AA	GREEN				*		
M2602107-001	87	COMPR. NEU2168U 220-240/50 CSR	COMPR. NEU2168U 220-240/50 CSR		GREEN	GREEN		*		
F11584	88	FUSIBILE Ø 5X20MM 5A RITARDATO	FUSE 5A 5X20	*	*	*	*	*	*	*
AA005102-001	89	BOBINA 120/50-60 UL 11000BH/G6IU-2 OLAB	OLAB COIL 120/50-60 UL 11000BH/G6IU-2	*	*	*	*			
AD005103-001	89	BOBINA 230/50-60 CE 6000BH/K5FN OLAB	OLAB COIL 230/50-60 CE 6000BH/K5FN	*	*	*		*	*	
AF005102-001	89	BOBINA 100/50-60 CE 6000BH/E1FN OLAB	OLAB COIL 100/50-60 CE 6000BH/E1FN	*	*	*				*
A0005103-001	90	FUSIBILE Ø 5X20MM 315mA RAPIDO	FUSE F315MA 5X20	*	*	*	*	*	*	*



**FIRST CLASS: Listino Ricambi\Spare Part Price List 2020 Rev.11**

CODICE	ESP	DESCRIZIONE	DESCRIPTION	FC1	FC2	FC3	115 /60	230 /50	220 /60	100/ 50- /60
A0102103-002	91	CORPO VALVOLA 1 VIA OLAB	OLAB 1 WAY BODY VALVE	*			*	*	*	*
A0202102-002	92	BLOCCETTO VALVOLE 2 VIE OLAB NC DN1,2 K09122-A OLAB	OLAB 2 WAY BODY VALVE		*		*	*	*	*
A0302101-002	91	BLOCCH. 3VIE NC DN1,2 K09122-A OLAB	OLAB 3 WAY BODY VALVE NC DN1,2 K09122-A			*	*	*	*	*
A0002113-001	92	FILTRO CU GR20 IN/OUT 6.2MM	DRYER	*			*	*	*	*
M0602115-001	92	FILTRO SOLID CORE IN/OUT 6.2MM	DRYER SOLID CORE		*	*	*	*	*	*
A0002101-001	93	PRESSOSTATO R404A	R404A PRESSURE SWITCH	ST_ALL ML_ALL G404	ST_ALL ML_ALL G404	ST_ALL ML_ALL G404	*	*	*	*
A0002122-002	93	PRESSOSTATO NSDHA11B13101 R290 LAV.	R290 PRESSURE SWITCH	GREEN	GREEN	GREEN	*	*	*	*
TEEDIRAMED6	94	TEE RAME D.6	D.6 CUPPER TEE	*	*	*	*	*	*	*
C082036007	95	CONDENSATORE ARIA FERRO STFT 16224	IRON CONDENSER STFT 16224		ST_A ML_A	ST_A ML_A	*	*	*	*
M0102111-001	95	CONDENSATORE ARIA FERRO STFT 14T 2R 145 A" FC1	IRON CONDENSER STFT 14T 2R 145A" FC1	ML_A			*	*	*	*
M0602103-001	95	CONDENSATORE ARIA FERRO STFT 18224/245	IRON CONDENSER STFT 18224/245		ST_TR ML_TR	ST_TR ML_TR	*	*	*	*
V4012255	96	VENTOLA ALLUMINIO 254/25°	ALUMINIUM FAN BLADE 254/25°		ST_A ML_A	ST_A ML_A				*
M0102110-001	96	VENTOLA ALLUMINIO 172/34°	ALUMINIUM FAN BLADE 172/34°	ML_A			*	*	*	*
V4012016M3/2	96	VENTOLA ALLUMINIO 254/31°	ALUMINIUM FAN BLADE 254/31°			ST_A ML_A	*	*		
V4012016M3/2	96	VENTOLA ALLUMINIO 254/31°	ALUMINIUM FAN BLADE 254/31°		ST_TR ML_TR	ST_TR ML_TR	*	*	*	
V4012201M3WBM	96	VENTOLA ALLUMINIO 200/34°	ALUMINIUM FAN BLADE 200/34°		ST_W ML_W	ST_W ML_W	*	*	*	*
AD605102-001	99	MOTOVENTILATORE 82CE-3016/41 230V/50-60HZ	FAN MOTOR 82CE-3016/41 230V/50-60HZ		ST_A ST_TR ML_A ML_TR	ST_A ST_TR ML_A ML_TR		*	*	

**FIRST CLASS: Listino Ricambi\Spare Part Price List 2020 Rev.11**

CODICE	ESP	DESCRIZIONE	DESCRIPTION	FC1	FC2	FC3	115 /60	230 /50	220 /60	100/50-100/60
A5605102-001	99	MOTOVENTILATORE 82UL-3016/29 115V/60HZ	FAN MOTOR 82UL-3016/29 115V/60HZ		ST_A ML_A	ST_A ML_A	*			*
A5605102-001	99	MOTOVENTILATORE 82UL-3016/29 115V/60HZ	FAN MOTOR 82UL-3016/29 115V/60HZ		ST_TR ML_TR	ST_TR ML_TR	*			
AD005102-001	99	MOTOVENTILATORE 82CE-2010/77 230V/50-60HZ	FAN MOTOR 82CE-2010/77 230V/50- 60HZ	ML_A	ST_W ML_W	ST_W ML_W		*	*	
A5005101-001	99	MOTOVENTILATORE 82UL-2009/32 115V/60HZ	FAN MOTOR 82UL-2009/32 115V/60HZ	ML_A			*			*
A5005101-001	99	MOTOVENTILATORE 82UL-2009/32 115V/60HZ	FAN MOTOR 82UL-2009/32 115V/60HZ		ST_W ML_W	ST_W ML_W	*			
LA105103-001	99	VENT.COMM.17231ABT 110V UL 150*38	ELECTRONIC FAN 17231ABT 110V UL 150*38	GREEN G404			*			
A5605103-001	99	MOT.ELE REV 20WR 115V EC205B000000	ELECTRONIC FAN MOTOR 20WR 115V EC205B000000		GREEN G404	GREEN G404	*			
AD005104-001	99	MOT.ELE REV 5WR 230V EC056B000000	ELECTRONIC FAN MOTOR 5WR 230V EC056B000000	GREEN G404				*	*	
AD605103-001	99	MOT.ELE REV 20WR 230V EC206B000000	ELECTRONIC FAN MOTOR 20WR 230V EC206B000000		GREEN G404	GREEN G404		*	*	
M0001104-001	100	STAFFA SUPPORTO SGOCCIOLATOIO	DRIP TRAY BRACKET	*			*	*	*	*
PAR114-ELGR	101	PIEDINO STANDARD	SMALL RUBBER FEET	*			*	*	*	*
A5601101-001	102	PIEDINO USA	U.S.A. FEET		*	*	*	*	*	*
DADOD.6ZFL	103	DADO M6 FLANGIATO	M6 NUT	*			*	*	*	*
DADOD.8ZFL	103	DADO M8 FLANGIATO	M8 NUT		*	*	*	*	*	*
VITE6X12Z	104	VITE TE M6X12MM	SCREW 6X12	*			*	*	*	*
VITE8X16Z	104	VITE TE M8X16MM	SCREW 8X16		*	*	*	*	*	*
M0005134-001	105	CORNICE CASSETTA PORTASCHEDA	BOARD BOX	*			*	*	*	*
M0003130-001	107	RESTRICTION RUBINETTO	OUTLET RESTRICTION	*			*	*	*	*
M0000144-001	109	RONDELLA DENTELLATA D.6,3 PER VITE MOTORIDUTTORE	WASHER FOR GEAR MOTOR'S SCREW D.6,3	*			*	*	*	*
A0005110-001	110	MORSETTIERA 02303611001 PER PRESSOSTATO A0002101-001	PRESSURE SWITCH CONNECTION WIRES for A0002101-001	*			*	*	*	*

FIRST CLASS: Listino Ricambi\Spare Part Price List 2020 Rev.11

CODICE	ESP	DESCRIZIONE	DESCRIPTION	FC1	FC2	FC3	115 /60	230 /50	220 /60	100/ 50- /60 100/ 60
M0000124-001	111	BUSTA COPERTURA MORSETTIERA	CONNECTION WIRES COVERING BAG	*	*	*	*	*	*	*
M0005142-001	112	KIT ELETTRICO CONDENSATORI RIFASAMENTO 115V	ELECTRICAL KIT OF CONDENSERS FOR POWER FACTOR IMPROVEMENT			*	*			
M0005141-001	113	CONDENSATORE RIFASAMENTO	CONDENSER FOR POWER FACTOR IMPROVEMENT			*	*			
A0006103-001	115	ADESIVO LIVELLO MASSIMO	MAXIMUM LEVEL STICKERS	*	*	*	*		*	*
M0102116-001	117	CAPILLARE 1,06MMX2,5MT FC1	FC1 CAPILLARY 1,06MMX2,5MT	*						*
A0002105-001	117	CAPILLARE 0,91MMX2,75MT FC1	FC1 CAPILLARY 0,91MMX2,75MT	*			*	*	*	*
M0005151-001	118	MORSETTIERA CAVO ALIMENTAZIONE	POWER CORD SCREW TERMINAL BOARD	*	*	*	*		*	*
C0005101-001	121	CAVO LETTORE MAGNETICO/OTTICO	OPTICAL/MAGNETIC READER WIRE	ST_A	ST_A	ST_A	*	*	*	*
B1071234	122	BUSSOLA TRASCINAMENTO MAGNETE ***SOLO PER MOTORE ELCO A PARTIRE DA PROD. 40-06***	MAGNET SLEEVE ***FOR ELCO GEAR MOTOR ONLY FROM PROD. 40-06***	ST_ALL ML-ALL	ST_ALL ML-ALL	ST_ALL ML-ALL	*	*	*	*
M1551004	123	MAGNETE PERMANENTE ***SOLO PER MOTORE ELCO A PARTIRE DA PROD. 2002 ***	PERMANENT MAGNET ***FOR ELCO GEAR MOTOR ONLY FROM PROD. 2002***	ST_ALL ML-ALL	ST_ALL ML-ALL	ST_ALL ML-ALL	*	*	*	*
A0000123-002	124	KITCONTENITORE COMPLETO DI SCHEDA CELLA HALL ELCO CON FILO	KIT COMPLETE PLASTIC COVER WITH HALL CELL ELCO	ST_ALL ML-ALL	ST_ALL ML-ALL	ST_ALL ML-ALL	*	*	*	*
C025006	124	CELLA HALL KENTA	HALL CELL KENTA	ST_ALL ML-ALL	ST_ALL ML-ALL	ST_ALL ML-ALL	*	*	*	*
M0005139-003	125	ASSIEME MOTORIDUTTORE CON CELLA DI HALL KENTA	COMPLETE GEAR MOTOR WITH HALL SENSOR KENTA	ST_ALL ML-ALL	ST_ALL ML-ALL	ST_ALL ML-ALL	*	*	*	*
M0005139-002	125	ASSIEME MOTORIDUTTORE CON CELLA DI HALL ELCO	COMPLETE GEAR MOTOR WITH HALL SENSOR ELCO	ST_ALL ML-ALL	ST_ALL ML-ALL	ST_ALL ML-ALL	*	*	*	*
M0004102-002	126	BOCCOLA ELICA ORIZZONTALE VERS. 2012	HORIZONTAL AUGER BUSHING 2012 VERS.	*	*	*	*	*	*	*
A0000117-001	127	BOCCOLA CENTRAGGIO MOTORID./ALBERO	GEAR MOTOR BUSHING	*	*	*	*	*	*	*

**FIRST CLASS: Listino Ricambi\Spare Part Price List 2020 Rev.11**

CODICE	ESP	DESCRIZIONE	DESCRIPTION	FC1	FC2	FC3	115 /60	230 /50	220 /60	100/ 50-100/ 60
A0000115-001	128	VITE TE FLANGIATA M5X20MM	SCREW TE M5X20MM	*	*	*	*	*	*	*
M0003138-001	129	MANIGLIA DISABILE	HANDLE FOR DISABLE PEOPLE	*	*	*	*	*	*	*
M0004102-001	130	BOCCOLA ELICA ORIZZONTALE	HORIZONTAL AUGER BUSHING	*	*	*	*	*	*	*
A0005106-001	164	BLOCCHETTO X INTERRUOTORE SERIE 82	MOLEX CONNECTOR FOR MAIN SWITCH	*	*	*	*	*	*	*
M0602112-001	200	ASSIEME TUBI RAME D.6MM CONDENSATORE ARIA-TEE-FILTRO FC2/3	KIT COPPER PIPE D.6MM AIR CONDENSER-TEE-FILTER FC2/3		ST_A ST_TR ML_A ML_TR	ST_A ST_TR ML_A ML_TR		*	*	*
M0102118-001	200	ASSIEME TUBI RAME D.6MM CONDENSATORE ARIA-TEE-FILTRO FC1	KIT COPPER PIPE D.6MM AIR CONDENSER-TEE-FILTER FC1	*				*	*	*
M5602102-001	200	ASSIEME TUBI RAME D.6MM CONDENSATORE ARIA-TEE-FILTRO FC2/3	KIT COPPER PIPE D.6MM AIR CONDENSER-TEE-FILTER FC2/3		ST_A ST_TR ML_A ML_TR	ST_A ST_TR ML_A ML_TR	*			
M0102121-001	200	ASSIEME TUBI RAME D.6MM CONDENSATORE ARIA-TEE-FILTRO FC1	KIT COPPER PIPE D.6MM AIR CONDENSER-TEE-FILTER FC1	*			*			
M0102114-001	201	TUBO RAME D.6MM TEE-PRESSOSTATO	COPPER PIPE D.6MM TEE - PRESSOSTAT	*	*	*	*	*	*	*
M0602114-001	202	ASSIEME TUBI RAME D.6MM CONDENSATORE ACQUA-TEE-FILTRO FC2W/3W	KIT COPPER PIPE D.6MM WATER CONDENSER-TEE-FILTER FC2W/3W		ST_W ML_W	ST_W ML_W	*	*	*	*
CBSX8M2/3W	203	CONDENSATORE AD ACQUA	WATER CONDENSER		ST_W ML_W	ST_W ML_W	*	*	*	*
M0602107-001	204	TUBO RAME D.8 VALVOLA PRESSOSTATICA-CONDENSATORE ACQUA	PRESSURE SWITCH VALVE COPPER PIPE D.8-AIR CONDENSER		ST_W ML_W	ST_W ML_W	*	*	*	*
A0602102-001	205	VALVOLA PRESSOSTATICA WVFX1025	PRESSURE SWITCH VALVE WVFX1025		ST_W ML_W	ST_W ML_W	*	*	*	*
A0600101-001	206	SUPPORTO VALVOLA PRESSOSTATICA	PRESSURE SWITCH VALVE SUPPORT		ST_W ML_W	ST_W ML_W	*	*	*	*

**FIRST CLASS: Listino Ricambi\Spare Part Price List 2020 Rev.11**

CODICE	ESP	DESCRIZIONE	DESCRIPTION	FC1	FC2	FC3	115 /60	230 /50	220 /60	100/ 50- /60 100/ 60
NIPLES+RACCOR	207	NIPLES OTTONE 1/4" D.8MM	BRASS NIPLES 1/4" D.8MM		ST_W ML_W	ST_W ML_W	*	*	*	*
M0602108-001	209	TUBO RAME D.8MM USCITA ACQUA	WATER OUTPUT COPPER PIPE D.8MM		ST_W ML_W	ST_W ML_W	*	*	*	*
M0602106-001	210	TUBO RAME D.8MM ENTRATA ACQUA	WATER INPUT COPPER PIPE D.8MM		ST_W ML_W	ST_W ML_W	*	*	*	*
VTTCSX16CRIN	211	VITE FISSAGGIO STAFFA-VALVOLA PRESSOSTATICA	SHAFT FASTENING SCREW - PRESSURE SWITCH VALVE		ST_W ML_W	ST_W ML_W	*	*	*	*
M0602110-001	212	TUBO RAME CAPILLARE TEE-VALVOLA PRESSOSTATICA	CAPILLARY COPPER PIPE TEE - PRESSURE SWITCH VALVE		ST_W ML_W	ST_W ML_W	*	*	*	*
M0602113-001	213	ASSIEME TUBI RAME D.6MM COMPRESSORE-TEE-CONDENSATORE ACQUA FC2W/3W	KIT COPPER PIPE D.6MM COMPRESSOR-TEE-WATER CONDENSER FC2W/3W		ST_W ML_W	ST_W ML_W	*	*	*	*
A0002112-001	214	VALVOLA DI CARICA+TUBO RAME D.6MM FC2/3	CHARGE VALVE +COPPER PIPE D.6MM 26,5CM FC2/3		*	*	*	*	*	*
A0002111-001	214	VALVOLA DI CARICA+TUBO RAME D.6MM FC1	CHARGE VALVE +COPPER PIPE D.6MM 16,5CM FC1	*			*	*	*	*
M0202102-001	252	TUBO RAME D.6MM COMPRESSORE-CONDENSATORE ARIA	COMPRESSOR COPPER PIPE D.6MM - AIR CONDENSER		ST_A ST_TR ML_A ML_TR	ST_A ST_TR ML_A ML_TR	*	*	*	*
M0102103-001	252	TUBO RAME D.6MM COMPRESSORE-CONDENSATORE ARIA	COMPRESSOR COPPER PIPE D.6MM - AIR CONDENSER	*			*	*	*	*
M0102107-001	253	TUBO RAME D.8MM BOILER-COMPRESSORE	BOILER COPPER PIPE D.6MM - COMPRESSOR	*			*	*	*	*
C04060400100	300	CONDENSATORE FERRO 2	IRON CONDENSER 2			ST_TR ML_TR		*	*	
M0302105-001	301	TUBO RAME D.6MM CONDENSATORE 1-CONDENSATORE 2	CONDENSER 1 COPPER PIPE D.6MM - CONDENSER 2			ST_TR ML_TR		*	*	

**FIRST CLASS: Listino Ricambi\Spare Part Price List 2020 Rev.11**

CODICE	ESP	DESCRIZIONE	DESCRIPTION	FC1	FC2	FC3	115 /60	230 /50	220 /60	100/ 50-100/ 60
M0000150-001	350	STAFFA MODULO MACCHINA	MACHINE MODULE SHAFT	ML_ALL GREEN G404	ML_ALL GREEN G404	ML_ALL GREEN G404	*	*	*	*
M0005168-001	351	ELETTR. FC MACCHINA MILL/GREEN 19	GREEN-MILLENIUM "MACHINE MODULE"	*	*	*	*	*	*	*
M0306140-001	352	ASS. PANN. FR. FC3 AISI430+ALLUM.	KIT FRONT PANEL FC3 AISI430+ALLUM.			ML_A GREEN G404	*	*	*	*
B0005105-001	353	SENSOR REED MEDER MK11/M8-BV14649	SENSOR REED MEDER MK11/M8-BV14649		ML_A GREEN G404	ML_A GREEN G404	*	*	*	*
M0306137-001	354	STRIP LED FC3 24VDC 500MM 120LED/M IP67	STRIP LED 24VDC 500MM 120LED/M IP67			ML_A GREEN G404	*	*	*	*
A0005121-001	356	ALIM. SWITCHING 100-240/24 LPV-2024	SWITCHING POWER SUPPLY 100-240/24 LPV-20-24		ML_A GREEN G404	ML_A GREEN G404	*	*	*	*
M93CSGRFB	357	MORSETTIERA PA10HDS 12P	CONNECTION FOR WIRING PA10HDS 12P		ML_A GREEN G404	ML_A GREEN G404	*	*	*	*
DADOD.3Z	358	DADO DIAM.3 MM 5588 ZINCATO	M3 NUT		ML_A GREEN G404	ML_A GREEN G404	*	*	*	*
ROND.D.3.2EDENT	359	RONDELLA DENTELLATA 3.2 E	WASHER D.3,2		ML_A GREEN G404	ML_A GREEN G404	*	*	*	*
ROND.D.3ZPIANA	360	RONDELLA PIANA D.3 MM ZINCATA	WASHER D.3		ML_A GREEN G404	ML_A GREEN G404	*	*	*	*
M0306135-001	361	FRONTALE FC3+MAGNETI BLU BEVERAGE	FRONT GRAPHIC PANNEL FC3 BLU BEVERAGE			ML_A GREEN G404	*	*	*	*

**FIRST CLASS: Listino Ricambi\Spare Part Price List 2020 Rev.11**

CODICE	ESP	DESCRIZIONE	DESCRIPTION	FC1	FC2	FC3	115 /60	230 /50	220 /60	100/ 50- /60
M0306135-002	361	FRONTALE FC3+MAGNETI NO GRAFICA	FRONT GRAPHIC PANNEL FC3 NO GRAPHIC			ML_A GREEN G404	*	*	*	*
M0306135-003	361	FRONTALE FC3+MAGNETI SLUSH PUPPIE C	FRONT GRAPHIC PANNEL FC3 SLUSH PUPPIE			ML_A GREEN G404	*	*	*	*
M0206135-001	362	ASSIEME PANNELLI FRONTALI FC2 AISI430_ALLUMINIO	KIT FRONT PANEL FC2 AISI430+ALLUM.		ML_A GREEN G404		*	*	*	*
M0206136-001	363	STRIP LED FC2 24VDC 350MM 120LED/M IP67	STRIP LED FC2 24VDC 350MM 120LED/M IP67		ML_A GREEN G404		*	*	*	*
M0206138-001	365	SPESSORE ELETTRONICA FC2 RETROILLUMINATO	THICKNESS behind E-BOARD		ML_A GREEN G404		*	*	*	*
VTTTC2.9X13CR	366	VITE TSP GROCE 2,9X16 ZINCATA BIANCA	SCREW TSP 2.9X16		ML_A GREEN G404		*	*	*	*
M0206133-002	364	FRONTALE FC2+MAGNETI NO GRAFICA	FRONT GRAPHIC PANNEL FC2 NO GRAPHIC		ML_A GREEN G404		*	*	*	*
A0005122-002	400	MOTORID. BRUSH. X-10487-2 GRANITA	BRUSHLESS GEAR MOTOR	GREEN G404	GREEN G404	GREEN G404	*	*	*	*
AA005101-002	401	RELE DI POTENZA 120V ATEX 668281100303	COMPRESSOR POWER RELAY 115V ATEX		GREEN G404	GREEN G404	*			
B0005134-001	402	ALIM. SWITHING 100-240/24 LRS150-24	POWER SWITCHING 100-240/24 LRS150-24		GREEN G404	GREEN G404	*	*	*	*
A0105101-001	402	ALIM. SWITHING 100-240/24 LRS 50-24	POWER SWITCHING 100-240/24 LRS 50-24	GREEN G404			*	*	*	*
L0201110-001	403	STAFFE FISSAGGIO	FIXING BRACKETS	GREEN G404	GREEN G404	GREEN G404	*	*	*	*
A0005116-001		KIT COLL. PRESSOSTATO G63+FORCELLE	KIT WIRES. PRESSOSTAT G63 + Terminals Locking Fork	ST_ALL ML-ALL	ST_ALL ML-ALL	ST_ALL ML-ALL	*	*	*	*
M0106103-002		IMBALLO FIRST CLASS 1		*			*	*	*	*

**FIRST CLASS: Listino Ricambi\Spare Part Price List 2020 Rev.11**

CODICE	ESP	DESCRIZIONE	DESCRIPTION	FC1	FC2	FC3	115 /60	230 /50	220 /60	100/ 60
M0206103-002		IMBALLO FIRST CLASS 2			*		*	*	*	*
M0306103-002		IMBALLO FIRST CLASS 3				*	*	*	*	*