



Project Name: _____

Location: _____

Item #: _____

Qty: _____

Adcraft Conveyor Toaster, 280-300 Piece Capacity, in Stainless Steel

CVYT120S



Achieve high-efficiency toasting with the commercial-grade Adcraft Conveyor Toaster, perfect for busy kitchens. Made from SUS430 stainless steel and aluminized sheet, it promises durability and reliability. With a capacity to toast 280-300 pieces per hour, it suits high-volume demands. Powered by 1700 watts, it ensures consistent performance. Featuring manual control, it allows precise toasting. Maintenance is simplified with easy-to-clean surfaces.

Features and Construction

- Made from SUS430 stainless steel and aluminized sheet
- Operates at 120 volts with a NEMA 5-15P plug type
- Offers precise manual control for customized toasting
- Handles 280 to 300 pieces per hour for high-volume service
- Equipped with sturdy legs for stable placement
- Features a freestanding compact design for versatile kitchen use
- Ideal for commercial kitchens needing reliable equipment
- Efficient 1700-watt heating system for consistent results
- Dimensions are 19.5"L x 14.5"W x 13.5"H
- Covered by the Adcraft One-Year Limited Warranty

Electric

120V / 1700W / 15A
Cord Length (Inches): 59"
Plug Type: NEMA 5-15P
Cord set included

NEMA 5-15P



3rd Party Approvals



Included Components

Legs

Capacity

280-300 pieces/hour

Warranty (USA / Canada)

Protected by Admiral Craft Equipment Corporation's one-year limited warranty.

Contact Admiral Craft Equipment for details at 1-877-672-7740

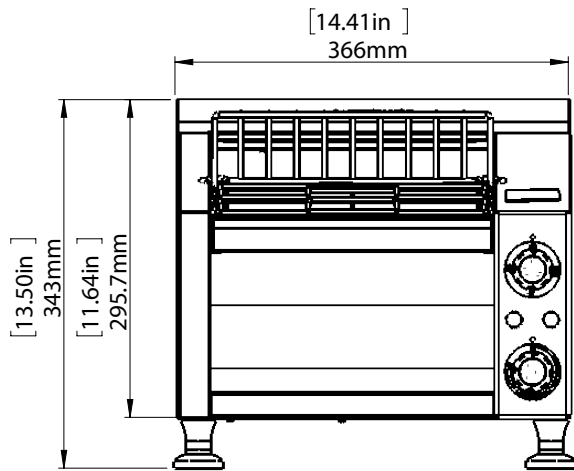




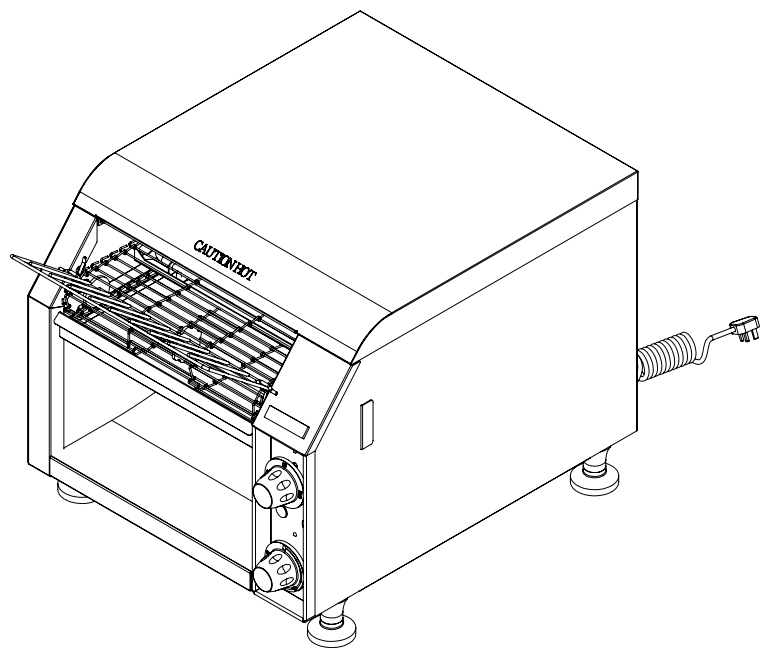
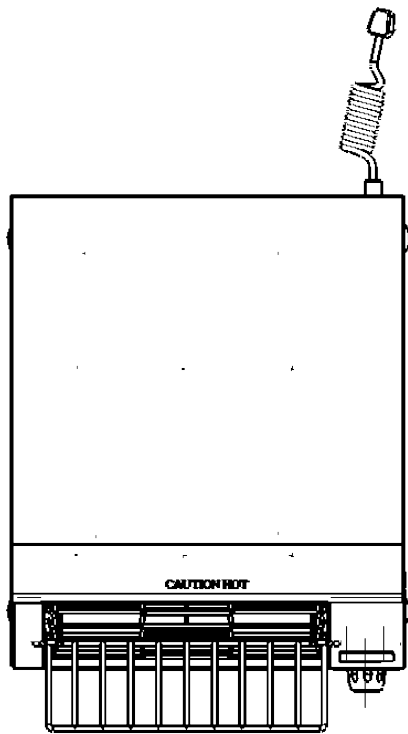
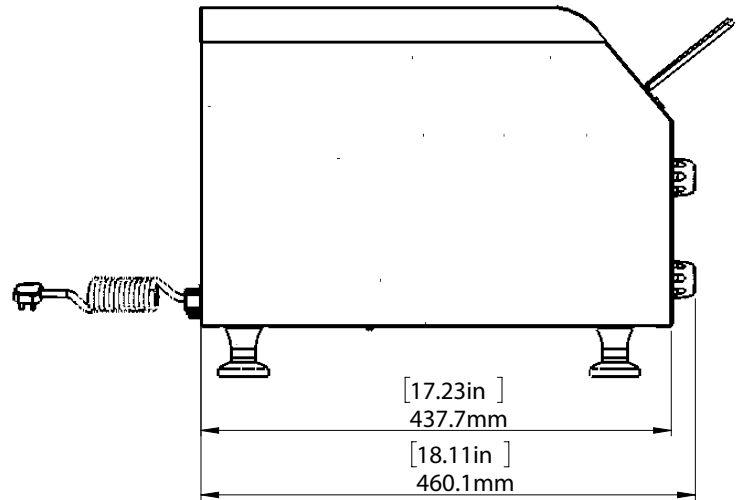
Adcraft Conveyor Toaster, 280-300 Piece Capacity, in Stainless Steel

CVYT120S

FRONT



SIDE



TOP

Toaster

Control Type	Cooking Area Depth x Width (in)	Crumb Tray Included	Assembled Dimensions L x W x H (in)	Package Dimensions L x W x H (in)	Item Weight (lb)	Shipping Weight (lb)
Manual	10.40" x 10.40" per slot	Yes	19.5" x 14.5" x 13.5"	20.9" x 16.5" x 16.5"	17.1	41.9

Due to periodic changes in designs, methods, procedures, policies and regulations, the specifications contained in this document are subject to change without notice. While we exercise good faith efforts to provide information that is accurate, we are not responsible for errors or omissions in information provided or conclusions reached as a result of using the specifications. By using the information provided, the user assumes all risks in connection with such use.