







## CADET

### High Temp Undercounter Dishwasher

-  30 Racks Per Hour | 20" x 20"
-  Three Dedicated Wash Cycles
-  Energy Star 3.0 Certified
-  Only 0.8 Gallons of Water Per Rack

## STANDARD FEATURES

- Capacity is 30 (20" x 20) racks per hour or 750 dishes per hour
- Only 0.8 gal (3L) of water per rack
- Full stainless steel construction inside and out
- Electronic PCB control with temperature display, LED indicator lamps, and self-diagnostics
- Field-convertible electrical connection (1PH to 3PH) with included copper jumper connectors
- Waterproof membrane control switches
- Built-in detergent and rinse aid dispensers
- Automatic pumped drain with removable overflow tube
- Single step drain and clean system
- Dedicated timed de-lime cycle
- Revolving interchangeable stainless steel wash/rinse arms
- Door opening is 13 3/16" for maximum clearance
- Rounded tank corners
- Sound suppression lined panels
- 1 Plate rack, 1 Cup rack, 1 Glass Rack, 2 Cutlery Cups

## OPTIONS

- Additional plastic 20" x 20" rack
- Drain quench system
- 6" stand
- 17" stand
- Drip 'n Dry drying rack

## SPECIFIER STATEMENT

Specified unit will be an Insinger Cadet automatic undercounter dishwasher. Features include waterproof membrane control switches, built in detergent and rinse air dispensers with easy prime system, electronic PC control with temperature display and LED indicators, revolving interchangeable wash/rinse arms, sound suppression lined panels, and 304 stainless steel construction.



## SPECIFICATIONS

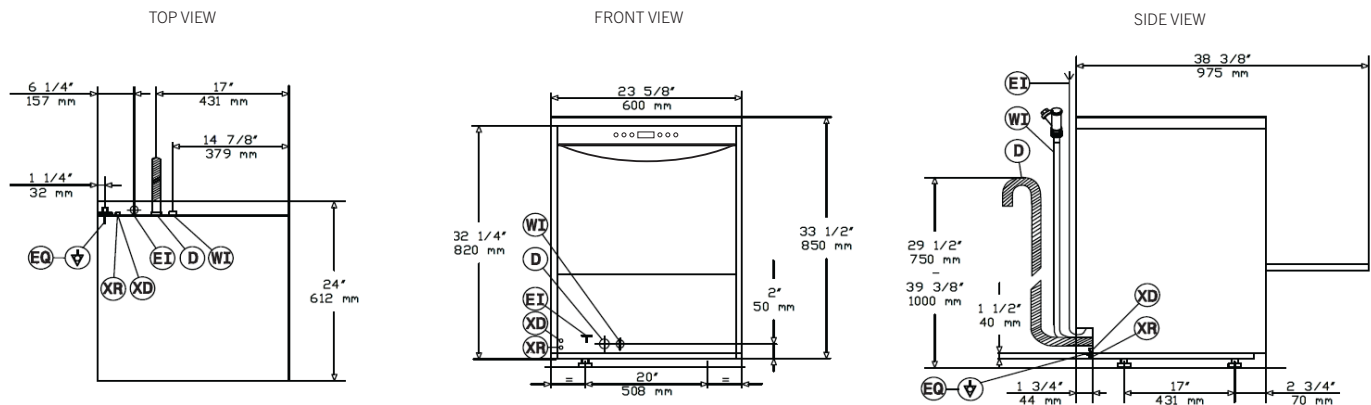
Capacity	Racks Per Hour	30
	Dishes Per Hour	750
	Meals Per Hour	68
Cycle Times	Dishware (Cycle 1)	120 sec
	Cookware (Cycle 2)	240 sec
	Glassware (Cycle 3)	130 sec
Heating & Venting	Tank Heat	2.2 kW
	Booster Heat	6.0 kW
	Booster Capacity	3.0 gal
Water	Water Inlet Temperature	110°F 70°F min
	Water Consumption Per Rack (20 PSI)	0.8 gal
Other	Wash Tank Capacity	6.1 gal
	Wash Motor Size	1.0 hp
	Booster Type	Built-In
	Shipping Weight	165 lb

## ELECTRICAL

Electrical Options	208/60/1	33 amps
	208/60/3	20 amps

\*Field Convertible from 1 to 3 phase

## TECHNICAL DRAWINGS



Contact Insinger Sales at 800-344-4802 for an installation drawing specific to your application.  
 Note: Due to product improvement we reserve the right to change information and specifications without notice.