

MIRRA 250 PLUS - 10"

MIRRA 300 PLUS - 12"

Medium-duty slicers



Mirra 250 PLUS

- High-quality, stylish, lightweight and compact space saving design
- Great cutting capacity in a compact footprint
- Easy to carry for catering needs
- Fan-cooled motor to avoid overheating
- Permanent blade ring guard for safe and easy sanitation
- Safety hand guard mounted to the carriage
- The easy, fast breakdown and the increased blade and machine body gap makes cleaning a breeze

Features

Technical:

- The slide shaft is made of ground, chromed steel for a smoother operation.
- The high-quality bushings and ball bearings are self-lubricating.
- The dial thickness control cam system allows for an always precise cut.

Safety:

- A safety cover is placed under the motor and the electrical components.
- The hopper features an exclusive heavy duty plastic protection to keep operator's hand at a safe distance from the blade while operating the slicer.

Sanitary:

- Easy to clean aluminum alloy construction does not crack or stain.
- The carriage and the blade cover are quickly removable without tools.

Specifications

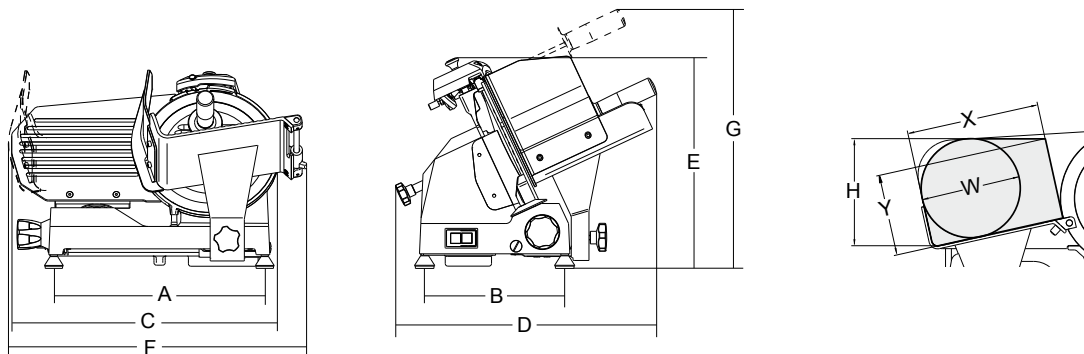
Operation:	Gravity feed.
Construction:	Polished, anodized aluminum alloy.
Knife:	One piece, chromium plated 100Cr6 forged carbon steel blade.
Sharpener:	Built-in, removable two stone dual action.
Slice thickness:	Infinitely variable up to 1/2"
Motor 250 PLUS:	0.25 Hp (185W), belt-driven, fan-cooled.
Motor 300 PLUS:	0.33 Hp (245W), up to 0.5 Hp peak, belt-driven, fan-cooled.
Electrical 250 PLUS:	120V AC, 60Hz, 2.5A
Electrical 300 PLUS:	120V AC, 60Hz, 2.5A
Plug & Cord:	Attached, flexible, 3 wire SJTO AWG 18, 6'4" long. NEMA 5-15 P
Switch:	ON/OFF lighted rocker switch



Certified to UL Standard 763
and NSF Standard 08
Certified to CSA Standard C22.2



Mirra 300 PLUS



	Ø Blade	Motor	Cut thickness	Blade rpm	Carriage stroke	Hopper	A	B	C	D	E	F	G	X	Y	H	W	Net weight	Shipping	Gross weight
	mm/inch	watt/Hp	inch.	rpm	inch.	inch.	inch.	inch.	inch.	inch.	inch.	inch.	inch.	inch.	inch.	inch.	inch.	lbs.	inch.	lbs.
Mirra 250 PLUS	250/10"	185-0,25	½"	335	9 5/8"	9 1/16" x 9 1/16"	15 9/16"	9 5/8"	19 11/16"	22 1/16"	14 9/16"	22 7/16"	18 11/16"	8 7/16"	5 11/16"	7 1/16"	6 11/16"	35	23 5/8" x 19 11/16" x 16 9/16"	40
Mirra 300 PLUS	300/12"	245-0,33 - 0.5 peak	½"	350	11 1/4"	9 13/16" x 10 13/16"	17 1/8"	11 3/8"	23 5/8"	24	16 9/16"	25 3/16"	20 1/16"	9 13/16"	7 3/16"	8 7/8"	8 1/4"	45	31 1/2" x 23 5/8" x 20 1/2"	63

