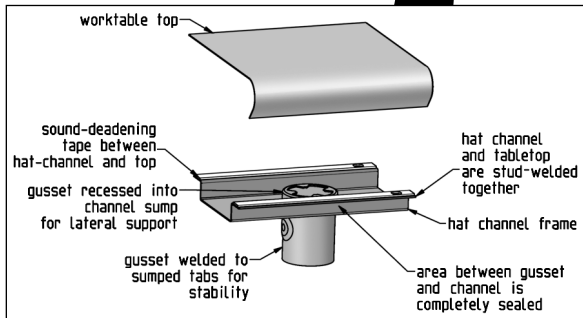


Specification Sheet

Short Form Specifications

BlendPort® SL Series Worktables with Flat Top, model _____, 18 gauge type 430 stainless steel construction. Top features rolled rim on front and rear, with square bend on ends. 1½"-diameter stainless steel legs. 18 gauge stainless steel undershelf. Adjustable stainless steel bullet feet.



Optional Drawers for SL Series Worktables

16" x 20".
Fully enclosed.
Features roller slides.



| description | weight | model # |
|---------------------|---------|--------------|
| For 24"-wide tables | 21 lbs. | BPD-1620-24T |
| For 30"-wide tables | 26 lbs. | BPD-1620-30T |

Item No.: _____
Project No.: _____
S.I.S. No.: _____

BlendPort® SL Series All-Stainless Steel Worktables with Flat Top

- 18 gauge type 430 stainless steel construction.
- Top features hemmed rolled rim edge on front and rear, with square bend on sides, and is sound-deadened.
- Top reinforced with welded-on hat channels, which allow for mounting optional drawers.
- 1½"-diameter stainless steel legs.
- Stainless steel gussets.
- Adjustable stainless steel bullet feet.
- 18 gauge stainless steel undershelf.

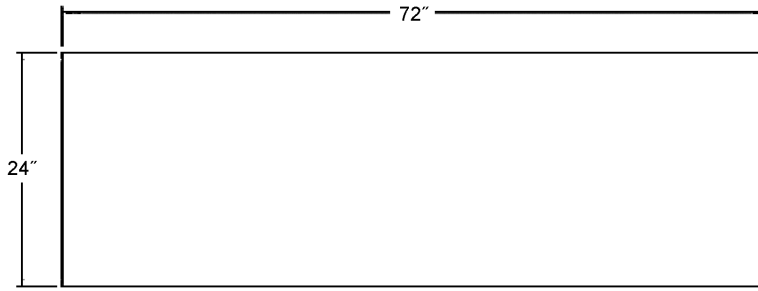
| width x length | weight | model # |
|----------------|----------|------------|
| 24" x 24" | 39 lbs. | BPT-2424SL |
| 24" x 30" | 40 lbs. | BPT-2430SL |
| 24" x 36" | 48 lbs. | BPT-2436SL |
| 24" x 48" | 56 lbs. | BPT-2448SL |
| 24" x 60" | 64 lbs. | BPT-2460SL |
| 24" x 72" | 72 lbs. | BPT-2472SL |
| 24" x 96" | 92 lbs. | BPT-2496SL |
| 30" x 24" | 39 lbs. | BPT-3024SL |
| 30" x 30" | 50 lbs. | BPT-3030SL |
| 30" x 36" | 52 lbs. | BPT-3036SL |
| 30" x 48" | 61 lbs. | BPT-3048SL |
| 30" x 60" | 77 lbs. | BPT-3060SL |
| 30" x 72" | 86 lbs. | BPT-3072SL |
| 30" x 96" | 123 lbs. | BPT-3096SL |



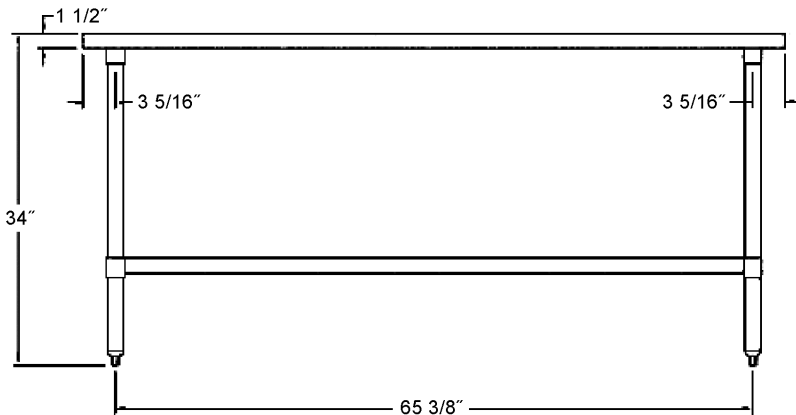


Item No.: _____
 Project No.: _____
 S.I.S. No.: _____

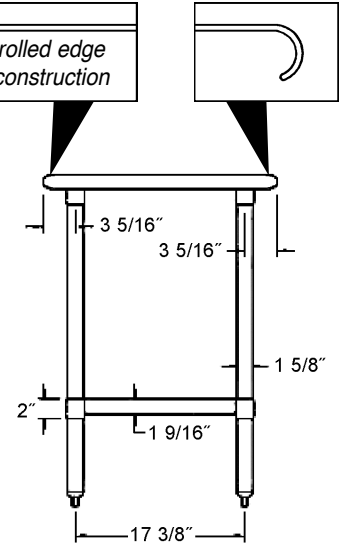
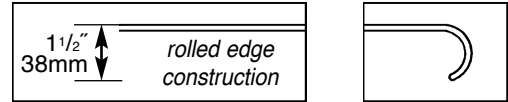
BlendPort® SL Series All-Stainless Steel Worktables with Flat Top



TOP VIEW



FRONT VIEW



SIDE VIEW

(Note: #BPT-2472SL shown)

BlendPort®

An Eagle Group Company
 100 Industrial Boulevard, Clayton, DE 19938-8903 USA
 Phone: 800-441-8440 • Fax: 302-653-2065

Printed in U.S.A.
 ©2023 by Eagle Group
 Rev. 03/23

Although every attempt has been made to ensure the accuracy of the information provided, we cannot be held responsible for typographical or printing errors. Information and specifications are subject to change without notice. Please confirm at time of order.