

Underbar Hand Sink w/ Soap/Towel Dispensers 21" Wide Units - Deep Drawn Bowl



SC-12-TS



SC-12-TS-S

Item #: _____ Qty #: _____

Model #: _____

Project #: _____

Featuring Deep Drawn Seamless Bowl



FEATURES:

- Free standing unit.
- One piece **Deep Drawn** sink bowl measuring 9" x 9" x 4".
- Built-in deck mount soap dispenser and c-fold towel dispenser.
- 6" deck mounted faucet.
- 4" backsplash.
- SC-12-TS-S & SC-15-TS-S Series has 4" Side Splashes.
- Galvanized legs with adjustable plastic bullet feet.
- Adjustable galvanized side cross-bracing.
- Has rear deck for extra storage.
- TS-S models** include 4" high side splashes.

MECHANICAL:

- K-51 deck mount swing spout faucet
- Faucet meets federal lead free standards.**
- 1 1/2" basket drain with 1 1/2" IPS

MATERIAL:

- Sink Bowl & Sides:** 20 gauge, 300 stainless steel
- Front Apron, Door, Backsplash:** 22 gauge, 300 stainless steel
- Optional Side Splash:** 16 gauge, 300 stainless steel
- Legs:** 1 5/8" O.D. 18 gauge, galvanized steel with adjustable plastic bullet feet

OPTIONAL:

- A-15** - Chrome towel ring (packed loose)
- K-12** - Replacement deck mount soap dispenser
- K-316-LU** - Add wrist handles
- SU-10C** - 14" stainless steel leg upgrade with cross-bracing

Standard

Model #	Length (L)	Width (W)	(C)	Approx. Weight	Approx. Cu. Ft.
SC-12-TS	12"	21"	5 1/2"	45 lbs.	4
SC-15-TS	15"	21"	7 1/2"	49 lbs.	4

w/ Side Splashes

Model #	Length (L)	Width (W)	(C)	Approx. Weight	Approx. Cu. Ft.
SC-12-TS-S	12"	21"	5 1/2"	50 lbs.	4
SC-15-TS-S	15"	21"	7 1/2"	54 lbs.	4

Conforms To NSF 61/9 Lead Free Requirements

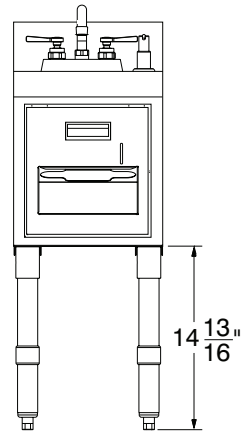
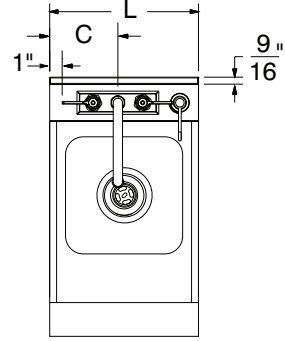
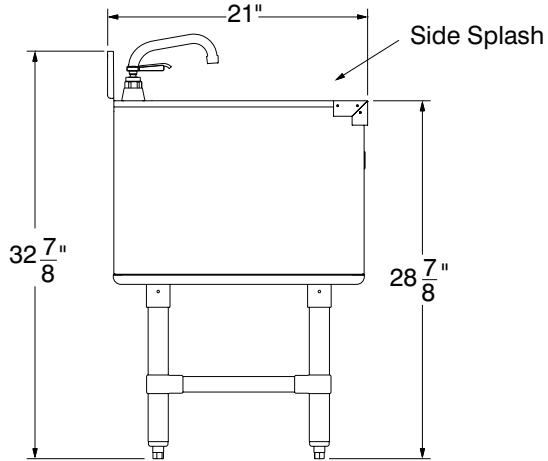
 **WARNING:** Equipment that include faucets on this page may contain a chemical known to the State of California to cause cancer, birth defects or other reproductive harm.

DIMENSIONS and SPECIFICATIONS

TOL Overall: ± .500" Interior: ± .250"

ALL DIMENSIONS ARE TYPICAL

SC-12-TS/SC-15-TS



SC-12-TS-S/SC-15-TS-S

