



PROJECT _____

ITEM NO: _____

QUANTITY: _____

Ice Bin With Cold Plate (CP10 Series)








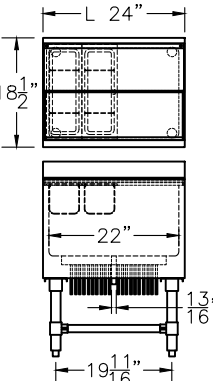
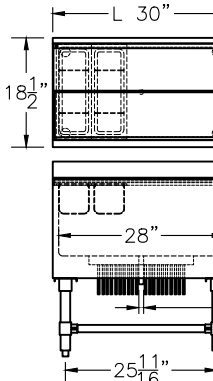
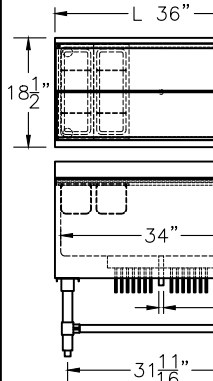
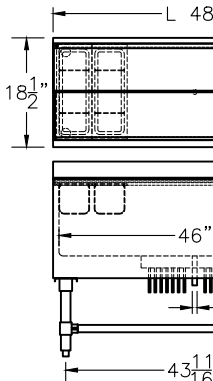
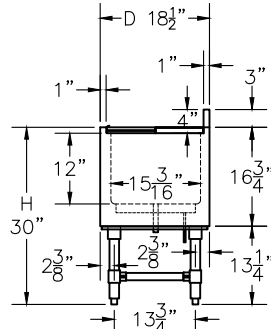
FEATURES & CONSTRUCTION:

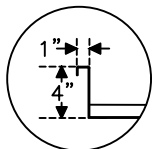
- Ice bin has coved corners with 3/4" radius and insulated with polyurethane foam.
- Top is fabricated with 1" flat front edge, flat edge on both ends and 1" flat top with 4" backsplash.
- Pre-mix aluminum 10-circuits cold plate with stainless steel tubing.
- Two piece 18 gauge sliding lid included.
- All exposed welded areas smooth polished to brush finish sanitary #4.
- (4) Galvanized steel legs with 1" adjustable bullet feet.
- Welded galvanized steel leg sockets with two point leg fastening.
- Adjustable galvanized steel "U" shape cross-bars with aluminum die cast fittings to secure cross-bars to legs for added stability.
- 13/16" Ø drain-pipe (1" IPS drain).
- Two Interior plastic bottle holder included.
- Carton box packing.
- All units shipped K.D., but easily assembled.

MATERIAL:

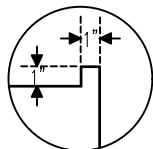
- Top & Ice Bin: 18 Ga. Stainless Steel - 304
- Exterior Bottom & Rear: 18 Ga. Stainless Steel - 304
- Apron Front & Two Sides: 18 Ga. Stainless Steel - 304
- Sliding Lid: 18 Ga. Stainless Steel - 304
- Leg: 1-5/8" Galvanized Steel Tubing
- Cross-bar: 1-1/4" Galvanized Steel Tubing
- Leg Socket: Galvanized Steel
- Bullet Feet: Plastic (1" Adjustable)

MODEL#	BIN CAPACITY	UNIT SIZE		
		L	D	H
SMIB-1824CP10	77 lbs	18"	18-1/2"	30"
SMIB-1830CP10	98 lbs	24"		
SMIB-1836CP10	119 lbs	36"		
SMIB-1848CP10	161 lbs	48"		

SMIB-1824CP10	SMIB-1830CP10	SMIB-1836CP10	SMIB-1848CP10	COMMON SIDE VIEW
				 CP10 Series Cold Plate With  10-Circuits 
				



1"x4" high Backsplash



Square Edge Front



Aluminum Die Cast Fitting For Adj. Cross-Bar



1" L.P.S Drain Pipe



1" Adjustable Plastic Bullet Feet



NSF STD.2 Certified

Specifications subject to change without notice.

All dimensions are typical (Tolerance 1/2").



Rev. 09/22

SAPPHIRE MANUFACTURING
 Tel: 718-543-2111
 Fax: 718-543-2121

info@sapphiremanufacturing.com
WWW.SAPPHIREMANUFACTURING.COM