



Modular electric deck oven 2 decks composition

serieP consists of one or more independent baking chambers and an optional proofer or stand. The baking surface is made of refractory stone with coiled heating elements inside, allowing the perfect heat distribution over the whole surface. This oven is particularly suitable for direct pizza baking, on floor or on trays. Embossed stainless steel surface combined with steamer (optional) is available as an alternative to refractory stone and it is especially recommended for bakery. The baking chamber comes in two heights: 18cm or 30 cm. Temperature management is electronic, power control of ceiling and floor is independent. The oven door is hinged at the bottom, with a tempered glass window to check the product during baking. The stand consists of a painted metal structure, while the proofer is a stainless steel cabinet equipped with a heating thermostat. The proofer can reach the maximum temperature of 149°F, whereas the maximum temperature of the baking chamber is 842°F.



OPERATION

- Heated by armoured heating elements
- Electronic temperature management with independent adjustment of ceiling and floor
- Maximum temperature reached 842°F
- Continuous temperatures monitoring in baking chamber by thermocouple
- Vapour ducting using manual butterfly valve

CONSTRUCTION

- Structure made in folded stainless steel
- Side panels in painted sheet metal
- Hood in stainless steel
- Steam duct in stainless steel plate
- Stainless steel door, tempered glass
- Aluminated steel top and side structure
- Dual halogen lighting
- Rock wool heat insulation

ACCESSORIES

- Leavening proofer on wheels height 31 1/2"
- Stand with wheels height 23 1/2", 31 1/2", 37 1/2"
- Steamer
- Spacer element height 11 13/16"
- Refractory brick or buckle plate surface
- Additional tray holder guides for compartment and Stand
- Self-condensing hood
- Frontless hood

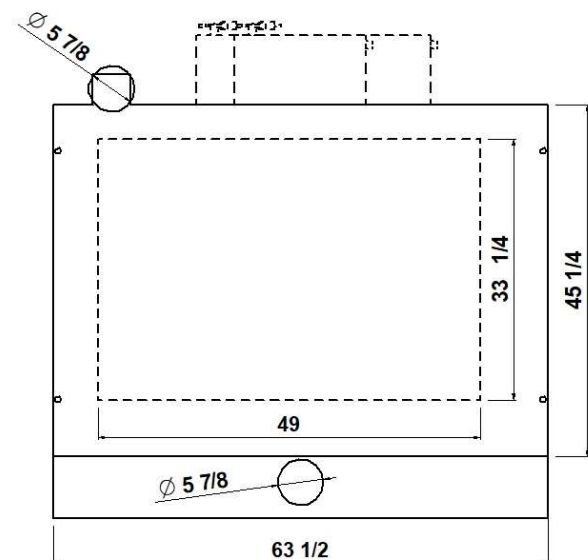
INTERNAL BAKING DIMENSIONS

Internal height	7"/12"
Internal depth	33 1/4"
Internal width	49"
Baking surface	11,8ft ²

STANDARD EQUIPMENT

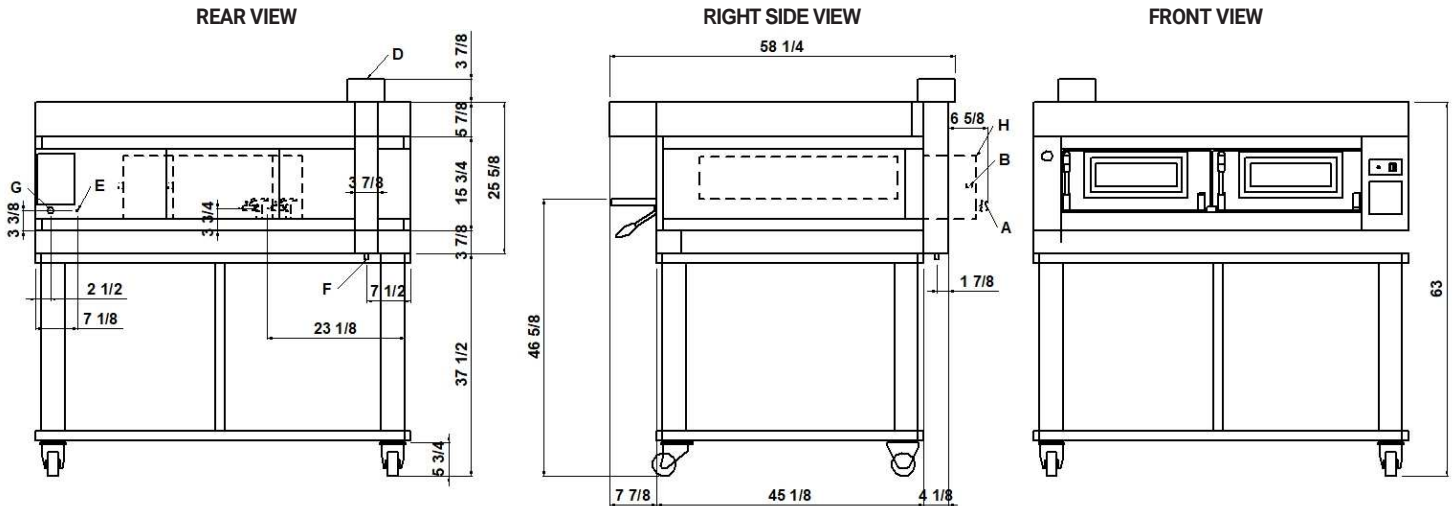
- 20 customisable programs
- Timer
- Economiser
- Independent maximum temperature safety device

TOP VIEW



1 baking chamber height 7"

(assembled with stand height 37 1/2")



NOTE: The dimensions indicated in the views are in inches.

A Ø 5/16" steamer water outlet	B 3/4" male steamer water inlet	D Ø 5 7/8" steam exhaust	E M6 equipotential screws
F Ø 1/2" condensate exhaust	G fairleads	H Steamer 3480W (see data sheet)	

DIMENSIONS

External height	25 5/8" (650mm)
External depth	45 1/4" (1147mm)
External width	63 1/2" (1610mm)
Weight	600lb (272kg)

SHIPPING INFORMATION

Packed in wooden crate	
Height	36" (900mm)
Depth	65" (1652mm)
Width	72" (1810mm)
Weight	710lb (322kg)

FEEDING AND POWER

Standard feeding	
A.C. V240 3ph	
Feeding on request	
A.C. V208 3ph	
Frequency	60Hz
Max power	10,1kW/DECK
*Average power cons	5,1kW
Ampère max	
	24,3A/DECK (V240 3ph)
	28,1A/DECK (V208 3ph)
Connecting cable for each chamber	
	9AWG/DECK
Power supply (optional proofer)	
A.C. V(208/240) 1ph 60Hz	
Max power	1,8kW
*Average power cons	0,9kWh
Conn. Cable 14AWG – Ampère	7,5A

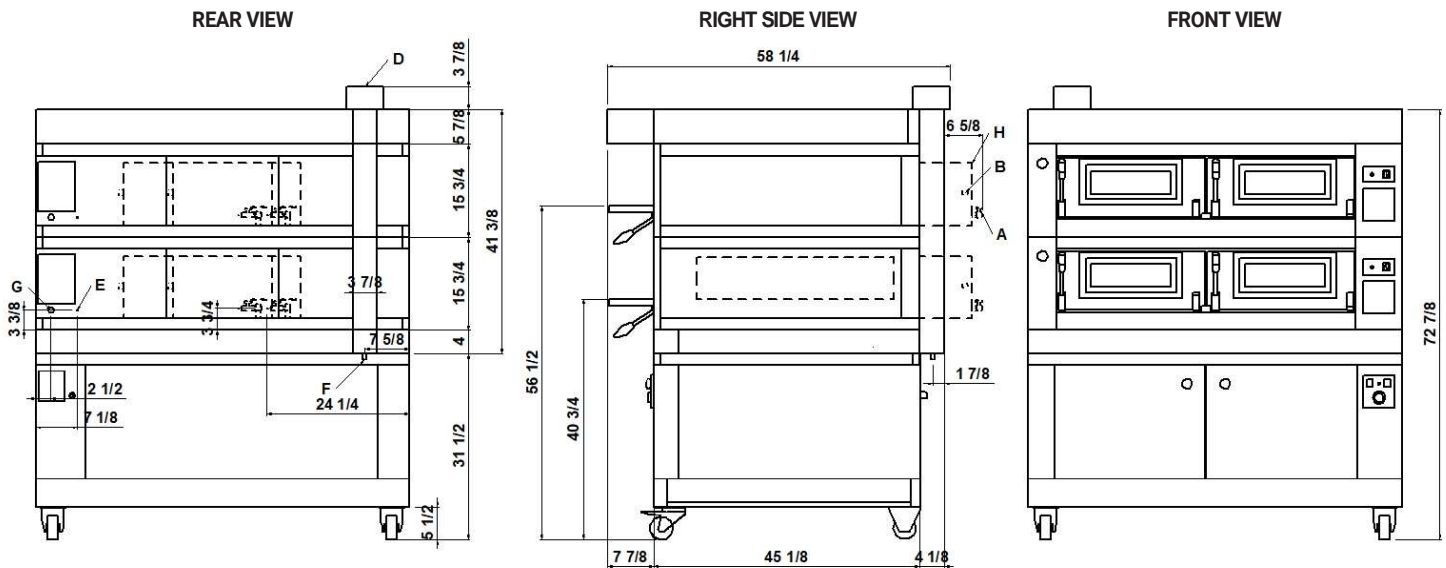
TOTAL BAKING CAPACITY

Tray 26"x18" (600x400)mm	4	When combined with leavening compartment or stand:
Pizza diameter 12"	11	Max height
Pizza diameter 18"	4	Max weight

* This value is subject to variation according to the way in which the equipment is used

NOTE: MORETTI FORNI S.P.A. reserves the right to modify the characteristics of the products illustrated in this publication without prior notice

2 baking chambers height 7"
(assembled with prover height 31 1/2")



NOTE: The dimensions indicated in the views are in inches.

A Ø 5/16" steamer water outlet	B 3/4" male steamer water inlet	D Ø 5 7/8" steam exhaust	E M6 equipotential screws
F Ø 1/2" condensate exhaust	G fairleads	H Steamer 3480W (see data sheet)	

DIMENSIONS

External height	41 3/8" (1050mm)
External depth	45 1/4" (1147mm)
External width	63 1/2" (1610mm)
Weight	1004lb (455kg)

TOTAL BAKING CAPACITY

Tray 26"x18" (600x400)mm	8
Pizza diameter 12"	22
Pizza diameter 18"	8

SHIPPING INFORMATION

Packed in wooden crate	
Height	51 1/2" (1300mm)
Depth	65" (1652mm)
Width	72" (1810mm)
Weight	1136lb (515kg)

When combined with leavening compartment or stand:	
Max height	89" (2250mm)
Max weight	1376lb (624kg)

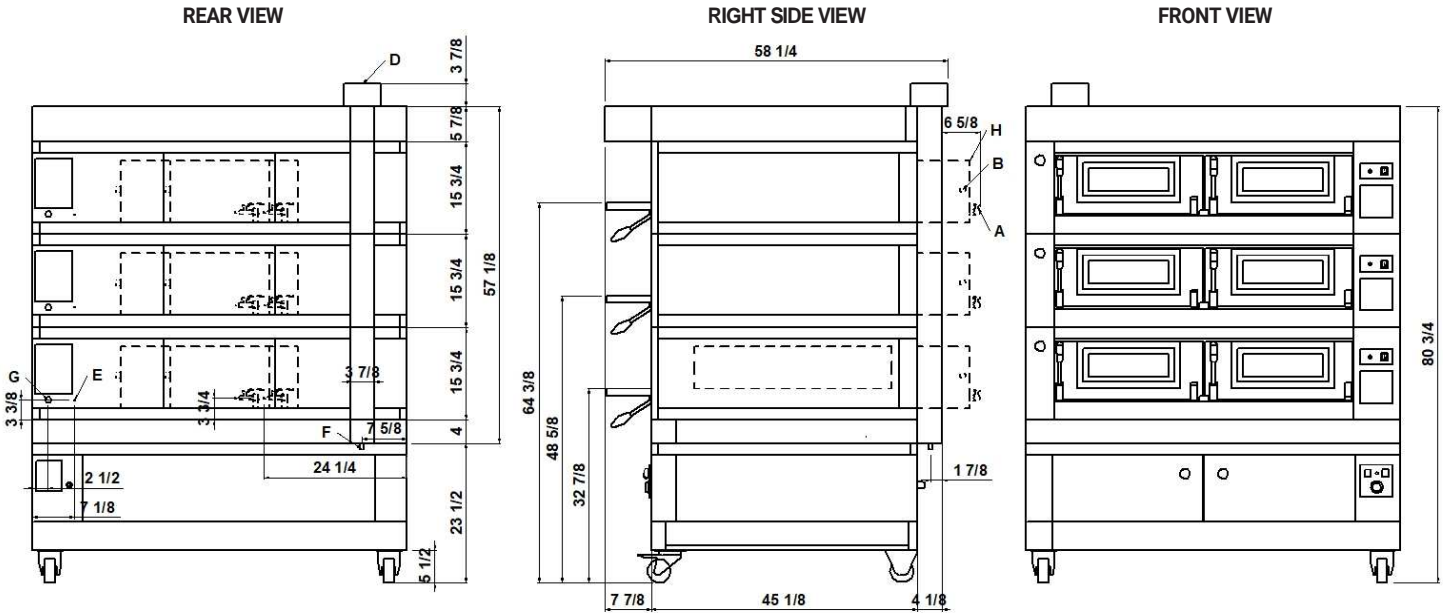
FEEDING AND POWER

Standard feeding	
A.C. V240 3ph	
Feeding on request	
A.C. V208 3ph	
Frequency	60Hz
Max power	10,1kW/DECK
*Average power cons	5,1kWh
Ampère max	
	24,3A/DECK (V240 3ph)
	28,1A/DECK (V208 3ph)
Connecting cable for each chamber	
	9AWG/DECK
Power supply (optional proofer)	
A.C. V(208/240) 1ph 60Hz	
Max power	1,8kW
*Average power cons	0,9kWh
Conn. Cable 14AWG – Ampère	7,5A

* This value is subject to variation according to the way in which the equipment is used

NOTE: MORETTI FORNI S.P.A. reserves the right to modify the characteristics of the products illustrated in this publication without prior notice

3 baking chambers height 7"
(assembled with prover height 23 1/2")



NOTE: The dimensions indicated in the views are in inches.

A Ø 5/16" steamer water outlet	B 3/4" male steamer water inlet	D Ø 5 7/8" steam exhaust	E M6 equipotential screws
F Ø 1/2" condensate exhaust	G fairleads	H Steamer 3480W (see data sheet)	

DIMENSIONS

External height	57 1/8" (1450mm)
External depth	45 1/4" (1147mm)
External width	63 1/2" (1610mm)
Weight	1407lb (638kg)

SHIPPING INFORMATION

Packed in wooden crate	
Height	67" (1700mm)
Depth	65" (1652mm)
Width	72" (1810mm)
Weight	1561lb (708kg)

FEEDING AND POWER

Standard feeding	
A.C. V240 3ph	
Feeding on request	
A.C. V208 3ph	
Frequency	60Hz
Max power	10,1kW/DECK
*Average power cons	5,1kWh
Ampère max	
	24,3A/DECK (V240 3ph)
	28,1A/DECK (V208 3ph)
Connecting cable for each chamber	
	9AWG/DECK
Power supply (optional proofer)	
A.C. V(208/240) 1ph 60Hz	
Max power	1,8kW
*Average power cons	0,9kWh
Conn. Cable 14AWG – Ampère	7,5A

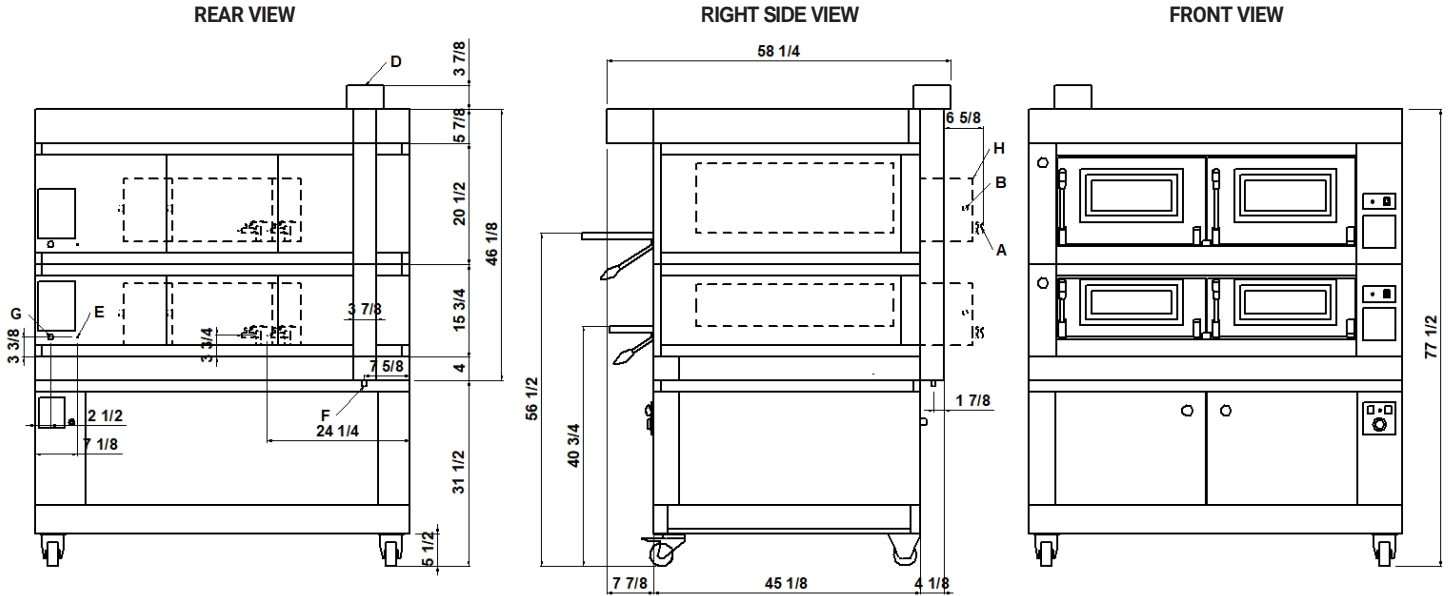
TOTAL BAKING CAPACITY

Tray 26"x18" (600x400)mm	12	When combined with leavening compartment or stand:
Pizza diameter 12"	33	Max height
Pizza diameter 18"	12	Max weight

* This value is subject to variation according to the way in which the equipment is used
NOTE: MORETTI FORNI S.P.A. reserves the right to modify the characteristics of the products illustrated in this publication without prior notice

2 baking chambers height 7"+12"

(assembled with prover height 31 1/2")



NOTE: The dimensions indicated in the views are in inches.

A Ø 5/16" steamer water outlet	B 3/4" male steamer water inlet	D Ø 5 7/8" steam exhaust	E M6 equipotential screws
F Ø 1/2" condensate exhaust	G fairleads	H Steamer 3480W (see data sheet)	

DIMENSIONS

External height	46" (1170mm)
External depth	45 1/4" (1147mm)
External width	63 1/2" (1610mm)
Weight	1050lb (475kg)

SHIPPING INFORMATION

Packed in wooden crate	
Height	56" (1420mm)
Depth	65" (1652mm)
Width	72" (1810mm)
Weight	1180lb (535kg)

FEEDING AND POWER

Standard feeding	
A.C. V240 3ph	
Feeding on request	
A.C. V208 3ph	
Frequency	60Hz
Max power	10,1kW/DECK
*Average power cons	5,1kWh
Ampère max	
24,3A/DECK (V240 3ph)	
28,1A/DECK (V208 3ph)	
Connecting cable for each chamber	
9AWG/DECK	
Power supply (optional proofer)	
A.C. V(208/240) 1ph 60Hz	
Max power	1,8kW
*Average power cons	0,9kWh
Conn. Cable 14AWG – Ampère 7,5A	

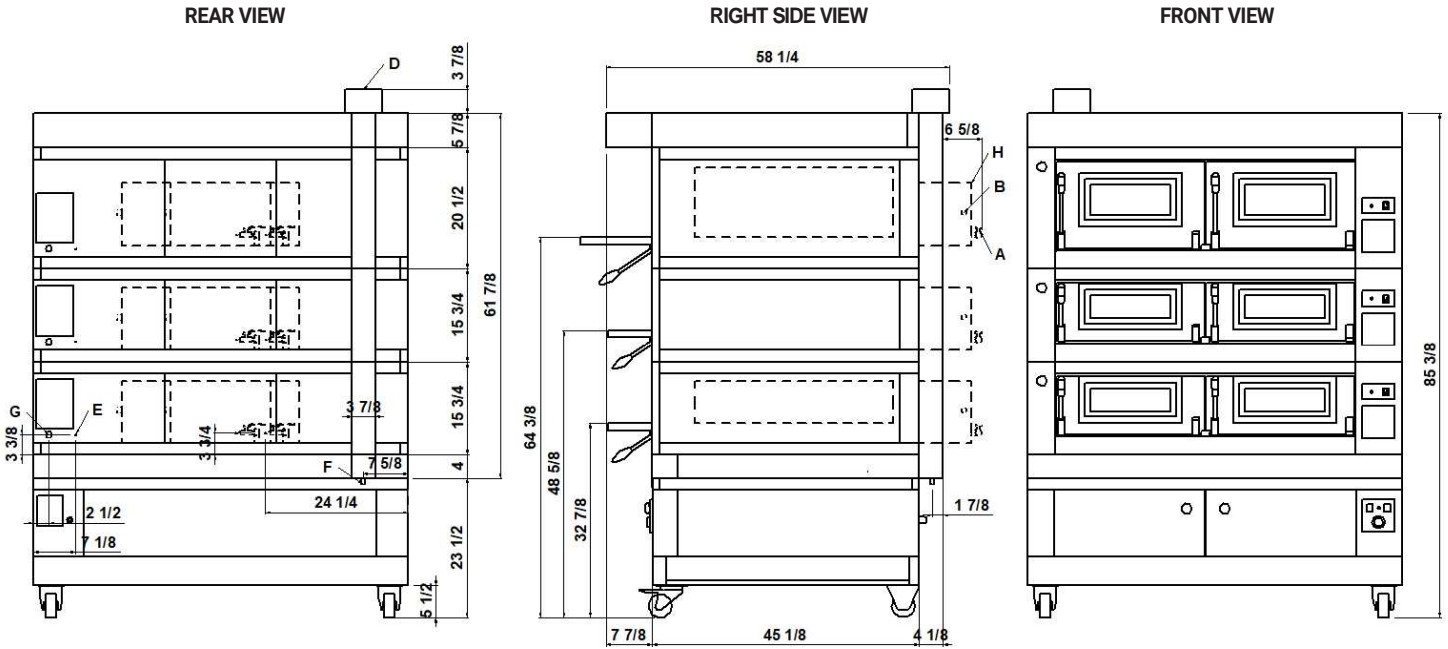
TOTAL BAKING CAPACITY

Tray 26"x18" (600x400)mm	8
Pizza diameter 12"	22
Pizza diameter 18"	8

When combined with leavening compartment or stand:	
Max height	94" (2370mm)
Max weight	1420lb (645kg)

* This value is subject to variation according to the way in which the equipment is used
 NOTE: MORETTI FORNI S.P.A. reserves the right to modify the characteristics of the products illustrated in this publication without prior notice

3 baking chambers height 7"+7"+12"
(assembled with prover height 23 1/2")



NOTE: The dimensions indicated in the views are in inches.

A Ø 5/16" steamer water outlet	B 3/4" male steamer water inlet	D Ø 5 7/8" steam exhaust	E M6 equipotential screws
F Ø 1/2" condensate exhaust	G fairleads	H Steamer 3480W (see data sheet)	

DIMENSIONS

External height	61 7/8" (1570mm)
External depth	45 1/4" (1147mm)
External width	63 1/2" (1610mm)
Weight	1455lb (660kg)

TOTAL BAKING CAPACITY

Tray 26"x18" (600x400)mm	12
Pizza diameter 12"	33
Pizza diameter 18"	12

SHIPPING INFORMATION

Packed in wooden crate	
Height	72" (1820mm)
Depth	65" (1652mm)
Width	72" (1810mm)
Weight	1610lb (730kg)

When combined with leavening compartment or stand:	
Max height	109" (2770mm)
Max weight	1852lb (840kg)

FEEDING AND POWER

Standard feeding	
A.C. V240 3ph	
Feeding on request	
A.C. V208 3ph	
Frequency	60Hz
Max power	10,1kW/DECK
*Average power cons	5,1kWh
Ampère max	
	24,3A/DECK (V240 3ph)
	28,1A/DECK (V208 3ph)
Connecting cable for each chamber	
	9AWG/DECK
Power supply (optional proofer)	
A.C. V(208/240) 1ph 60Hz	
Max power	1,8kW
*Average power cons	0,9kWh
Conn. Cable 14AWG – Ampère 7,5A	

* This value is subject to variation according to the way in which the equipment is used
NOTE: MORETTI FORNI S.P.A. reserves the right to modify the characteristics of the products illustrated in this publication without prior notice

P120 B
TECHNICAL DATA

SHIPPING INFORMATION H18		P120B_1_18	P120B_2_18	P120B_3_18
Packed in wooden crate	Height	36" (900mm)	51 1/2" (1300mm)	67" (1700mm)
	Weight	710lb (322kg)	1136lb (515kg)	1561lb (708kg)
When combined with proofer or stand	Max. height	73" (1850mm)	89" (2250mm)	105" (2650mm)
	Max. weight	951lb (431kg)	1376lb (624kg)	1802lb (817kg)
SHIPPING INFORMATION H30		P120B_1_30	P120B_2_30	P120B_3_30
Packed in wooden crate	Height	41" (1020mm)	61" (1540mm)	82" (2060mm)
	Weight	748lb (339kg)	1211lb (549kg)	1674lb (759kg)
When combined with proofer or stand	Max. height	78" (1970mm)	93" (2340mm)	113" (2860mm)
	Max. weight	988lb (448kg)	1451lb (658kg)	1914lb (868kg)

FEEDING AND POWER (EACH DECK NEEDS TO BE CONNECTED INDEPENDENTLY AND THE LOAD SHOWN BELOW ARE PER DECK)	A.C. V240 3ph 60Hz	Standard feeding	Max power	kW	10,1
			*Medium cons/hour	kWh	5,1
			Ampère Max	A/DECK	24,3
			Connecting cable	AWG/DECK	9
	A.C. V208 3ph 60Hz	Feeding on request	Max power	kW	10,1
			*Medium cons/hour	kWh	5,1
			Ampère Max	A	28,1
			Connecting cable	AWG/DECK	9
	A.C. V240 3ph 60Hz boosted heating elements	Standard feeding	Max power	kW	12,1
			*Medium cons/hour	kWh	6,1
			Ampère Max	A/DECK	29,1
			Connecting cable	AWG/DECK	7
	A.C. V208 3ph 60Hz boosted heating elements	Feeding on request	Max power	kW	12,1
			*Medium cons/hour	kWh	6,1
			Ampère Max	A/DECK	33,6
			Connecting cable	AWG/DECK	7
A.C. V(208/240) 1ph 60Hz	Proofer	Max power	kW	1,8	
		*Medium cons/hour	kWh	0,9	
		Ampère Max	A/DECK	7,5	
		Connecting cable	AWG/DECK	14	

* This value is subject to variation according to the way in which the equipment is used
NOTE: MORETTI FORNI S.P.A. reserves the right to modify the characteristics of the products illustrated in this publication without prior notice