



YOU CAN TRUST

MEAT GRINDERS

PCI-22G / PCI-22G SS



STANDARD FEATURES

Powered by a 2 HP motor, these table top # 22 Meat Grinders are recommended for medium to large sized markets, butcher shops, restaurants and meat processing applications.

PCI-22G comes with a tinned cast iron grinding device and PCI-22G SS with a stainless steel one.

Gears and shafts mounted on ball bearings are fully enclosed in the transmission box assuring a smooth and quiet operation.

Stainless steel motor housing and legs resist rusting. Non-slid rubber feet.

Large stainless steel pan with guarded feed throat for a safe and fast feeding.

Comes standard with one knife, two plates, 1/8" and 3/16", and a feed stomper.

Safety device disconnects power when pan is removed.

ETL Listed and ETL Sanitation Listed (Conforms to NSF 8, UL 763 and CSA Std. C22.2 No. 195).



PCI-22G
22 MEAT GRINDER
CAST IRON CYLINDER



PCI-22G SS
22 MEAT GRINDER
STAINLESS STEEL CYLINDER



ILLUSTRATIVE PHOTO, ACTUAL PRODUCTS AND ACCESSORIES ARE SUBJECT TO CHANGE WITHOUT NOTICE.



Skyfood Equipment LLC
175 SW 7th Street, Ste 2416
Miami, FL 33130

Toll Free:
1-800-503-7534
sales@skyfood.us

www.skyfood.us



Follow us to keep up to date with the latest news and offers

/SkyfoodEquipment

/SkyfoodEquipment

/SkyfoodEquipment



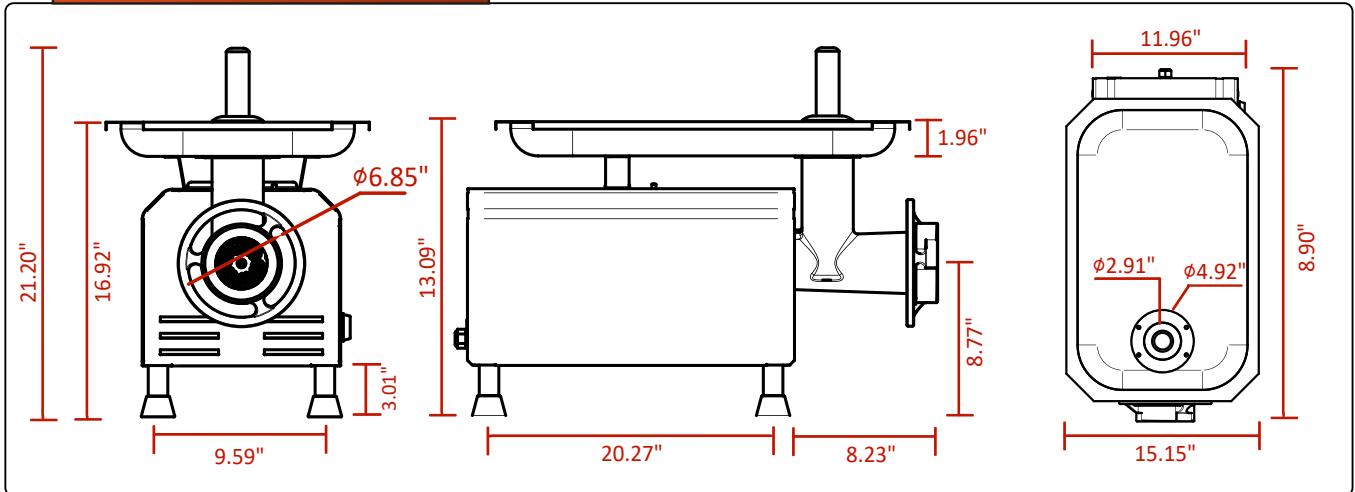
YOU CAN TRUST

MEAT GRINDERS

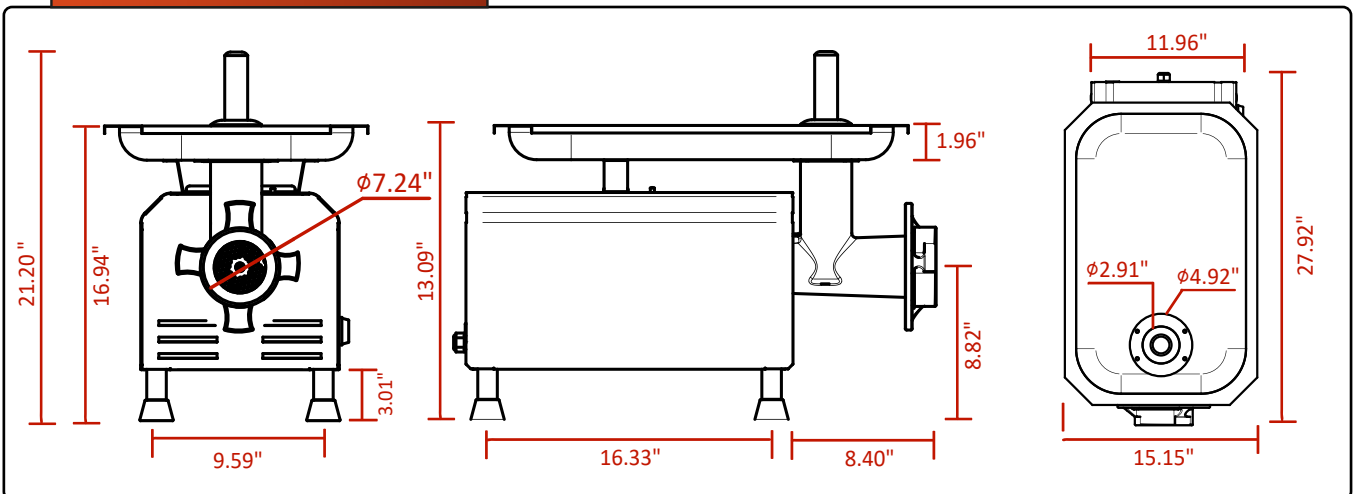
PCI-22G / PCI-22G SS



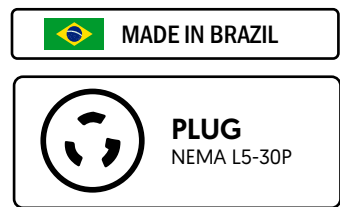
DIMENSIONS / PCI-22G



DIMENSIONS / PCI-22G SS



**ASSEMBLE ORDER:
WORM, KNIFE
AND PLATE**



WARRANTY 01 YEAR PARTS AND LABOR VALID IN THE CONTINENTAL UNITED STATES.

Item	Voltage	Power Rating	Amps	Dimensions (W x D x H)	Weight (Net x Ship)	Tray Dimensions (W x D x H)	Production	PLUG
PCI-22G	115 V	2 HP	24.4	15" x 29 3/8" x 17 3/8"	90 lb x 106 lb	13 3/8" x 22" x 2"	660 lb/h	NEMA L5-30P
PCI-22G SS	115 V	2 HP	24.4	15" x 29 3/8" x 17 3/8"	90 lb x 106 lb	13 3/8" x 22" x 2"	660 lb/h	NEMA L5-30P



Skyfood Equipment LLC
175 SW 7th Street, Ste 2416
Miami, FL 33130

Toll Free:
1-800-503-7534
sales@skyfood.us

www.skyfood.us



Follow us to keep up to date with the latest news and offers

[/SkyfoodEquipment](#)

[/SkyfoodEquipment](#)

[/SkyfoodEquipment](#)

ILLUSTRATIVE PHOTO, ACTUAL PRODUCTS AND ACCESSORIES ARE SUBJECT TO CHANGE WITHOUT NOTICE.