



TABLE MOUNTED

KD STAINLESS STEEL OVERSHELVES

with Stainless Steel Posts

Item #: _____	Qty #: _____
Model #: _____	
Project #: _____	



ETS SERIES
14" Stainless Steel Posts

FEATURES:

Stainless steel shelving and posts.

ETS Series Overall Height = 14"

EDS Series Overall Height = 32". Adjustable Mid-Shelf.

Shelves are made with rolled edges (front & rear) with square ends.

Angle brackets provided with stainless steel gusset to receive post.

CONSTRUCTION:

All TIG welded.

Exposed surfaces are polished to a satin finish.

MATERIAL:

All Shelves are 18 gauge type "430" stainless steel.

Stainless steel posts.

Stainless steel bracket and gusset.



EDS SERIES
32" Stainless Steel Posts



INCLUDES
ANGLE BRACKETS

		SINGLE DECK				DOUBLE DECK				
		12" WIDE		18" WIDE		12" WIDE		18" WIDE		
L	C	Model #	Approx. Wt.	Approx. Cu. Ft.	Model #	Approx. Wt.	Approx. Cu. Ft.	Model #	Approx. Wt.	Approx. Cu. Ft.
36"	36-1/4"	ETS-12-36-X	16 lbs.	1	ETS-18-36-X	20 lbs.	2	EDS-12-36-X	25 lbs.	2
48"	48-1/4"	ETS-12-48-X	19 lbs.	2	ETS-18-48-X	24 lbs.	3	EDS-12-48-X	30 lbs.	2
60"	60-1/4"	ETS-12-60-X	22 lbs.	3	ETS-18-60-X	28 lbs.	4	EDS-12-60-X	35 lbs.	3
72"	72-1/4"	ETS-12-72-X	25 lbs.	3	ETS-18-72-X	36 lbs.	5	EDS-12-72-X	41 lbs.	3
96"	96-1/4"	ETS-12-96-X	33 lbs.	5	ETS-18-96-X	50 lbs.	5	EDS-12-96-X	62 lbs.	5

8 ft. units are furnished with three (3) sets of tubing supports.



Customer Service Available To Assist You 1-800-645-3166 8:30 am - 8:00 pm E.S.T.

For Orders & Customer Service:

Email: customer@advancetabco.com or Fax: 631-242-6900

For Smart Fabrication™ Quotes:

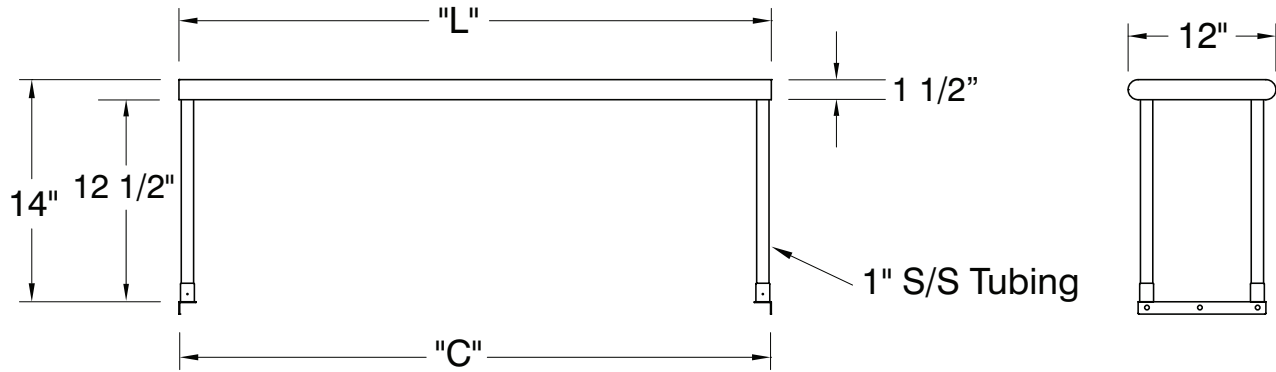
Email: smartfab@advancetabco.com or Fax: 631-586-2933

DETAILS and SPECIFICATIONS

TOL \pm .500"

ALL DIMENSIONS ARE TYPICAL

ETS SERIES - SINGLE DECK



EDS SERIES - DOUBLE DECK

