

INSULATED CHILLTEMP® REFRIGERATED CABINET MODEL R-171-SUA-10E

FEATURES AND BENEFITS:

- Fully insulated mobile ChillTemp® refrigerated cabinet for holding food and beverages at serving temperature.
- Forced air system provides even distribution of cold air; cabinet maintains temperatures from 33°F (.5° C) to 40°F (4.5° C). Automatically defrosts. UV bulb improves air quality and food freshness.
- Hi efficiency compressor with automatic overload reset and EC motor R134a refrigerant for environmental compatibility.
- Stainless steel construction throughout for ease of cleaning. One piece extended base protects cabinet body.
- Recessed push/pull handles on both sides prevent damage to walls; allows easy maneuvering.
- Self-closing insulated door prevents temperature loss. Magnetic door gaskets for proper seal. Field reversible for flexibility.
- Standard with right hand hinging; left hand hinging available upon request.
- Full length extruded door handles for “easy open”; positive catch (available in USA only) secures door during transport.
- Generous 18-cubic foot interior w/LED light.
- Ten sets of chrome plated wire universal angles accommodate a large variety of pan sizes on adjustable 1-1/2" centers.
- Heavy duty 5" swivel casters, two with brakes. Provides mobility when fully loaded.



R-171-SUA-10E

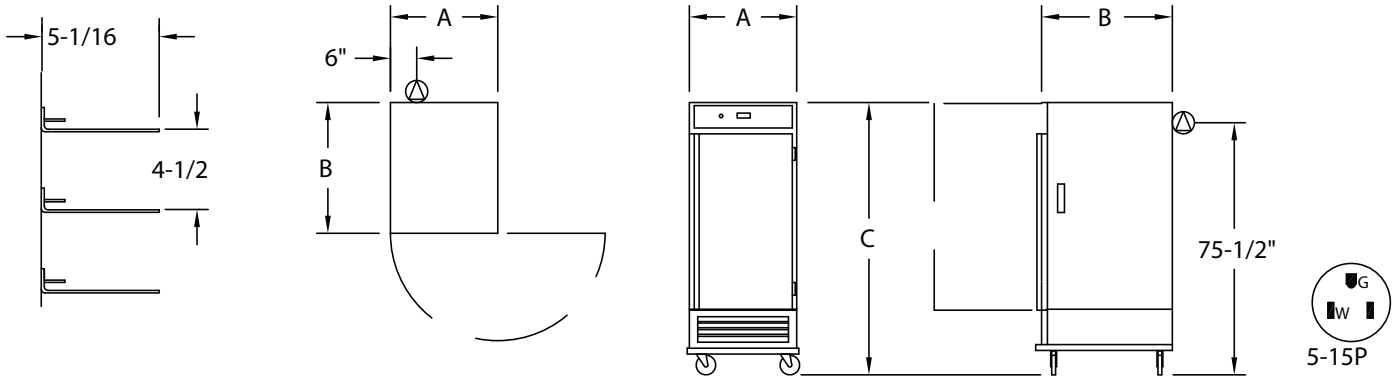


ACCESSORIES and OPTIONS (Available at extra cost):

- Extra Universal Angles
- Menu Card Holder
- Corner Bumpers
- Perimeter Bumper
- Floor Lock
- Polyurethane Casters
- Magnetic Door Latch (USA only)
- 240 Volt Service
- Digital Thermometer
- Interior for (28) 18" x 26" pans

See page K-4 for accessory details.

R-171-SUA-10E



DETAIL OF
PAN SLIDE

CRES COR MODEL NO.	PAN			DIM "A"	DIM "B"	DIM "C"	INSIDE DIMENSIONS			WEIGHT ACT.	
	CAP/ ANGLES	SIZE		WIDTH	DEPTH	HEIGHT	WIDTH	DEPTH	HEIGHT		
R-171-SUA-10E	10 SETS	SEE NOTE BELOW	IN	28-5/16	37-3/8	76	23-1/2	29-3/4	47-3/8	LBS	375
			MM	719	949	1929	597	755	1203	KG	170

NOTES: 1. Pan sizes 22" x 20" (560 x 510) Roast & Bake Pans, 10" x 20" (255 x 510) Roast & Bake Pans, 18" x 26" (460 x 660) Bun Pans, 14" x 18" (355 x 460) Service Trays, 12" x 20" (305 x 510) Steam Table Pans.
Refer to Pan Size Chart at end of section.

2. When ordering bumpers, add 2" to overall dimensions.

ALL CONSTRUCTION IS RIVETED, WELDED AND FINISHED.

CABINET:

- Body: 22 ga. stainless steel.
- Reinforcement: Internal framework of 16 ga. stainless steel.
- Insulation: Foam in place.
- Push/pull handles (2): 5" vertical; recessed.
- Interior coved corners.

BASE:

- One piece construction, .125 aluminum.
- Casters: 5" dia., swivel, modulus tires, 1-1/4 wide, load cap. 250 lbs. each, temp. range -45/+180°F. Delrin bearings. Front casters equipped with brakes.

DOOR:

- Field reversible.
- Formed 22 ga. stainless steel.
- Extruded handle.
- Transport latch.
- Hinges: Heavy duty chrome plated steel.
- Gasket: Perimeter type, magnetic Santoprene.
- Pan stop: Embossed.

PAN SLIDES:

- Wire angles (.306 dia.), nickel chrome plated steel, mounted on lift-off posts.
- Spaced on 4-1/2" centers; adjustable on 1-1/2" centers.

ELECTRICAL COMPONENTS:

- Thermostat: Pre-set to 38° F (3.3° C).
- Lighted power switch.
- Power cord: Permanent, 10 ft., 14/3 ga. with molded plug.
- Compressor: high efficiency.
- Condensate evaporator: Air
- R134a refrigerant.

POWER REQUIREMENTS:

- 120 Volts, 4.8A, 60 Hz., single phase, 15 Amp. service.

SHORT FORM SPECIFICATIONS

Cres Cor Refrigerated Cabinet Model R-171-SUA-10E. Cabinet 22 ga. stainless steel; stainless steel internal frame. (10) sets of wire universal angles for multiple pan sizes, adjustable spacing every 1-1/2". Field reversible door, 22 ga. stainless steel. Foam insulation. Interior coved corners. High efficiency compressor, 120 Volts. 4.8A. One piece base, .125 aluminum. 5" swivel casters, Delrin bearings. Load capacity 250 lbs. each. 2-Year Parts / 1-Year Labor warranty. Provide the following accessories: _____.
CSA-US/C, CSA to NSF7 listed.



Scan QR code to view Spec Sheet, Operating Manual, Wiring Diagram or to call Customer Service.

If you need a QR reader visit your App Store on your Smartphone or Tablet.

CRES COR

5925 Heisley Road • Mentor, OH 44060-1833

Phone: 877/CRESCOR • Fax: 440/350-7267

www.crescor.com

© Crescent Metal Products, Inc. 2017 All rights reserved.

In line with its policy to continually improve its products, CRES COR reserves the right to change materials and specifications without notice.

Made in America Since 1936