

INSTRUCTION MANUAL

Meat Slicers

Item	13641	13642	13643
Model	MS-IT-0300-G	MS-IT-0330-G	MS-IT-0350-G



Warning!

Before you begin using your appliance, **PLEASE READ AND UNDERSTAND THIS DOCUMENT CAREFULLY** before installing, operating, maintaining, or servicing.

There are many important safety messages in this manual and on your appliance. Always read all safety messages.

Failure to do so can result in appliance failure, property damage, serious injury or death. Appliance failure, injury or property damage due to improper installation is not covered by warranty.

Stop!

DO NOT RETURN THIS PRODUCT TO THE STORE!

For questions or assistance with this product, call TRENTO Toll free: **1-833-487-3686** or visit the support section from our website, **www.trentoequipment.com**

Version: Revised - 12/17/2024



TABLE OF CONTENTS

Section	Page
General Information -----	3 - 4
Safety and Warranty -----	4 - 6
Technical Specifications -----	6
Installation -----	7
Operation -----	7
Maintenance -----	7 - 9
Parts Breakdown -----	10 - 29
Notes -----	30
Warranty Registration -----	31

GENERAL INFORMATION

Omcan Manufacturing and Distributing Company Inc., Food Machinery of America, Inc. dba Omcan and Omcan Inc. are not responsible for any harm or injury caused due to any person's improper or negligent use of this equipment. The product shall only be operated by someone over the age of 18, of sound mind, and not under the influence of any drugs or alcohol, who has been trained in the correct operation of this machine, and is wearing authorized, proper safety clothing. Any modification to the machine voids any warranty, and may cause harm to individuals using the machine or in the vicinity of the machine while in operation.

CHECK PACKAGE UPON ARRIVAL

Upon receipt of an Omcan shipment please inspect for external damage. If no damage is evident on the external packaging, open carton to ensure all ordered items are within the box, and there is no concealed damage to the machine. If the package has suffered rough handling, bumps or damage (visible or concealed), please note it on the bill of lading before accepting the delivery and contact Omcan within 24 hours, so we may initiate a claim with the carrier. A detailed report on the extent of the damage caused to the machine must be filled out within three days, from the delivery date shown in the shipping documents. Omcan has no recourse for damaged products that were shipped collect or third party.

Before operating any equipment, always read and familiarize yourself with all operation and safety instructions.

Omcan would like to thank you for purchasing this machine. It's of the utmost importance to save these instructions for future reference. Also save the original box and packaging for shipping the equipment if servicing or returning of the machine is required.

Omcan Fabrication et distribution Compañie Limité et Food Machinery d'Amérique, dba Omcan et Omcan Inc. ne sont pas responsables de tout dommage ou blessure causé du fait que toute personne ait utilisé cet équipement de façon irrégulière. Le produit ne doit être exploité que par quelqu'un de plus de 18 ans, saine d'esprit, et pas sous l'influence d'une drogue ou d'alcool, qui a été formé pour utiliser cette machine correctement, et est vêtu de vêtements de sécurité approprié. Toute modification de la machine annule toute garantie, et peut causer un préjudice à des personnes utilisant la machine ou des personnes à proximité de la machine pendant son fonctionnement.

VÉRIFIEZ LE COLIS DÈS RÉCEPTION

Dès réception d'une expédition d'Omcan veuillez inspecter pour dommages externes. Si aucun dommage n'est visible sur l'emballage externe, ouvrez le carton afin de s'assurer que tous les éléments commandés sont dans la boîte, et il n'y a aucun dommage dissimulé à la machine. Si le colis n'a subi aucune mauvaises manipulations, de bosses ou de dommages (visible ou cachée), notez-le sur le bond de livraison avant d'accepter la livraison et contactez Omcan dans les 24 heures qui suivent, pour que nous puissions engager une réclamation auprès du transporteur. Un rapport détaillé sur l'étendue des dommages causés à la machine doit être rempli dans un délai de trois jours, à compter de la date de livraison indiquée dans les documents d'expédition. Omcan n'a aucun droit de recours pour les produits endommagés qui ont été expédiées ou cueilli par un tiers transporteur.

Avant d'utiliser n'importe quel équipement, toujours lire et vous familiariser avec toutes les opérations et les

GENERAL INFORMATION

consignes de sécurité.

Omcan voudrais vous remercier d'avoir choisi cette machine. Il est primordial de conserver ces instructions pour une référence ultérieure. Également conservez la boîte originale et l'emballage pour l'expédition de l'équipement si l'entretien ou le retour de la machine est nécessaire.

Omcan Empresa De Fabricacion Y Distribucion Inc. Y Maquinaria De Alimentos De America, Inc. dba Omcan y Omcan Inc. no son responsables de ningun daño o perjuicio causado por cualquier persona inadecuada o el uso descuidado de este equipo. El producto solo podra ser operado por una persona mayor de 18 años, en su sano juicio y no bajo alguna influencia de droga o alcohol, y que este ha sido entrenado en el correcto funcionamiento de esta máquina, y ésta usando ropa apropiada y autorizada. Cualquier modificación a la máquina anula la garantía y puede causar daños a las personas usando la máquina mientras esta en el funcionamiento.

REVISE EL PAQUETE A SU LLEGADA

Tras la recepcion de un envio Omcan favor inspeccionar daños externos. Si no hay daños evidentes en el empaque exterior, Habra el carton para asegurarse que todos los articulos solicitados estén dentro de la caja y no encuentre daños ocultos en la máquina. Si el paquete ha sufrido un manejo de poco cuidado, golpes o daños (visible o oculto) por favor anote en la factura antes de aceptar la entrega y contacte Omcan dentro de las 24 horas, de modo que podamos iniciar una reclamación con la compañía. Un informe detallado sobre los daños causados a la máquina debe ser llenado en el plazo de tres días, desde la fecha de entrega que se muestra en los documentos de envío. Omcan no tiene ningun recurso por productos dañados que se enviaron a recoger por terceros.

Antes de utilizar cualquier equipo, siempre lea y familiarizarse con todas las instrucciones de funcionamiento y seguridad.

Omcan le gustaría darle las gracias por la compra de esta máquina. Es de la mayor importancia para salvar estas instrucciones para futuras consultas. Además, guarda la caja original y el embalaje para el envío del equipo si servicio técnico o devolución de la máquina que se requiere.

SAFETY AND WARRANTY

SAFETY DEVICES INCORPORATED IN THIS SLICER MUST BE IN THEIR CORRECT OPERATING POSITIONS ANYTIME THE SLICER IS IN USE.

The blade cover (6) must be in position over the knife and secured by tightening the screw (7). **The meat pusher** (4) must be used when slicing. To protect your hands from the blade.

When the slicer is not running, **the slicer thickness control** (2) must be set on zero (by turning clockwise) to prevent the edge of the blade from being exposed. Always **UNPLUG** the power cord before cleaning or moving

SAFETY AND WARRANTY

the slicer.

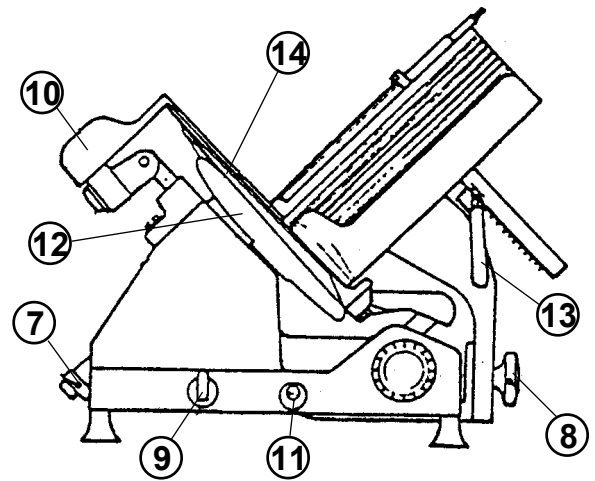
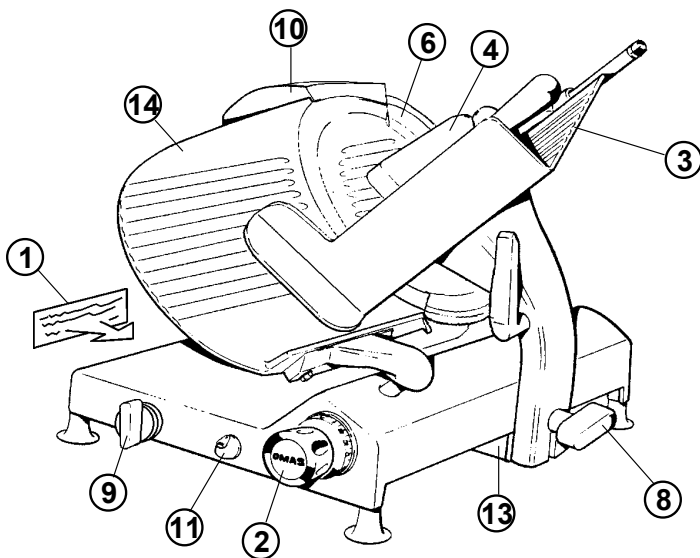
SLICING

Pull the **product holder** (3) toward you until it stops and place the product to be sliced on the product holder tray. Set the meat pusher against the product and switch on the slicer by pressing the **on-off switch** (9). Adjust the slice thickness by turning the slice thickness control. The numbers on the slice thickness control do not indicate actual measurements but may be used for reference to duplicate slice thickness. Using either the **carriage handle** (13) or the **meat pusher** (4) push the **product holder** (3) back and forth to slice. Always switch-off the slicer and turn the slice thickness control clockwise to zero when not slicing.

CLEANING

This machine must be thoroughly cleaned after each day's operation or anytime it will not be used for an extended period of time. **WARNING: UNPLUG MACHINE POWER CORD AND TURN THE INDEX KNOB FULLY CLOCKWISE BEFORE CLEANING THE SLICER.** Turn the slice deflector (12) for easy cleaning back of the blade. The product holder can be removed for an easy cleaning by rotating its handle counterclockwise (8). Using a mild soap and hot water solution and a clean cloth, wipe all surfaces of the slicer. Thoroughly rinse it with another clean cloth and fresh water. Remove the blade cover by removing the hand knob (7).

WARNING: THE SLICER BLADE IS VERY SHARP USE EXTREME CAUTION WHEN WORKING NEAR THE BLADE. **CAREFULLY** wash both sides of the blade with the slice thickness control turned fully clockwise. Wash the blade by wiping outward from the center. **ALWAYS** rinse the blade thoroughly using fresh water and a clean cloth. Never use steel pads to clean the blade. Wash and thoroughly rinse the removed components prior to reassembling them. **DO NOT** wash any slicer components in a dishwasher.



RESIDENTIAL USERS: vendor assumes no liability for parts or labor coverage for component failure or other damages resulting from installation in non-commercial or residential applications. The right is reserved to deny shipment for residential usage; if this occurs, you will be notified as soon as possible.

SAFETY AND WARRANTY

1 YEAR PARTS AND LABOUR BENCH WARRANTY

Within the warranty period, contact Omcan Inc. at 1-833-487-3686 to schedule an Omcan authorized service technician to repair the equipment locally.

Unauthorized maintenance will void the warranty. Warranty covers electrical and part failures, not improper use.

Please see <https://omcan.com/disclaimer> for complete info.

WARNING:

The packaging components are classified as normal solid urban waste and can therefore be disposed of without difficulty.

In any case, for suitable recycling, we suggest disposing of the products separately (differentiated waste) according to the current norms.

DO NOT DISCARD ANY PACKAGING MATERIALS IN THE ENVIRONMENT!

TECHNICAL SPECIFICATIONS

Model	MS-IT-0300-G	MS-IT-0330-G	MS-IT-0350-G
Item Number	13641	13642	13643
Blade Size	12" / 300mm	13" / 330mm	14" / 350mm
Power	0.35 HP		
RPM	250		
Cutting Size	5.9" x 9.8" / 150 x 249mm	6.5" x 10.6" / 165 x 270mm	7.3" x 11.4" / 185 x 290mm
Cutting Thickness	0" - 0.6" / 0 - 14mm		
Electrical	110-120V / 60Hz / 1		
Dimensions	28.3" x 22.4" x 20" 720 x 570 x 508mm	28.8" x 24" x 20" 730 x 610 x 508mm	30" x 24.8" x 20" 762 x 630 x 508mm
Weight	95 lbs. / 43.1 kgs.	99 lbs. / 44.9 kgs.	100 lbs. / 45.4 kgs.
Packaging Dimensions	33" x 28" x 27" 838 x 711 x 686mm	33" x 28" x 27" 838 x 711 x 686mm	33" x 28" x 27" 838 x 711 x 686mm
Packaging Weight	97 lbs. / 44 kgs.	101 lbs. / 45.8 kgs.	102 lbs. / 46.3 kgs.

INSTALLATION

UNPACKING

Immediately after unpacking the slicer, check it for possible shipping damage. If this machine is found to be damaged after unpacking, save the packing material and contact the carrier within 15 days of delivery.

Prior to installation, test the electrical service to assure that it agrees with the specifications on the machine data plate (1).

OPERATION

ELECTRICAL

Warning: THIS MACHINE IS PROVIDED WITH A PLUG CONNECTED TO PROPERLY GROUNDING PLUG, GROUNDED OUTLET. IF THE RECEPTACLE IS NOT THE PROPER GROUNDING TYPE, CONTACT AN ELECTRICIAN.

MAINTENANCE

CLEANING

This machine must be thoroughly cleaned and sanitized after installation and before being put into service.

ATTENTION: use protection gloves.

BLADE SHARPENING

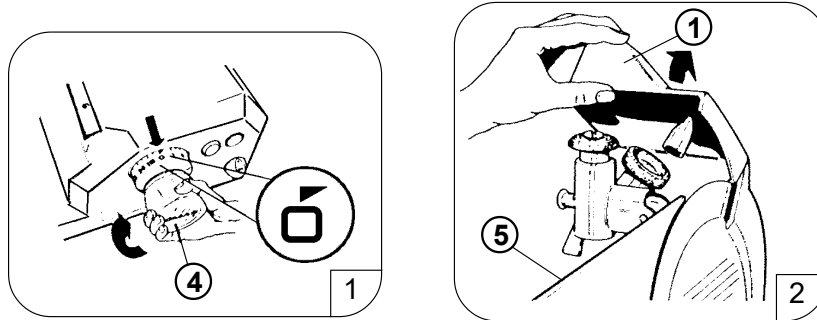
Your slicer blade will provide long service in normal deli, food store, or commercial kitchen use. However, in high volume applications where it is a practice to sharpen the blade frequently or even daily, the blade will be expended in a shorter time.

Before using sharpener, be sure the front and back side of the knife edge is clean and free of grease. The sharpen knife:

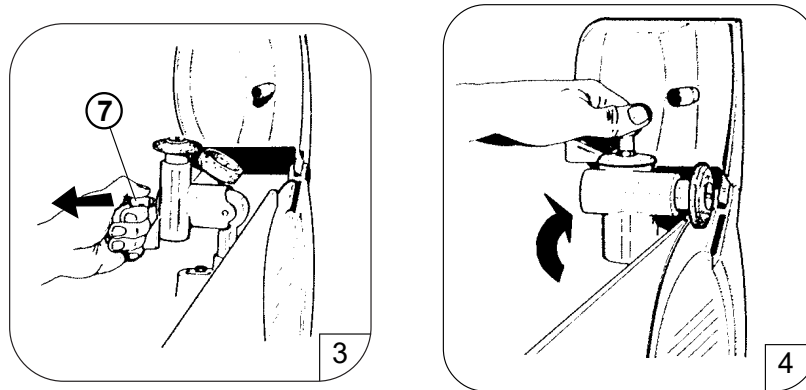
- a) be sure that the slicer has been switched off
- b) rotate the slice thickness control (item (4) into "O" position, so that the thickness plate (item (5) protects the knife fig. 2.

MAINTENANCE

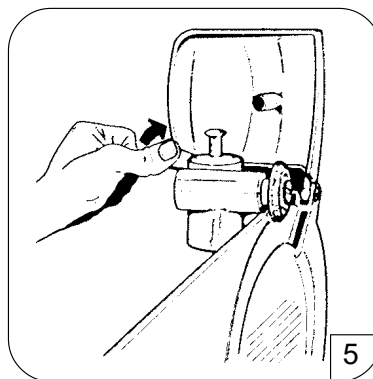
Lift up the sharpener cover (item 1) fig. 2.



Disengage the pin (item 7) and rotate the sharpener (item 3) fig. 3. So that the sharpener goes into its sharpening position fig. 4.



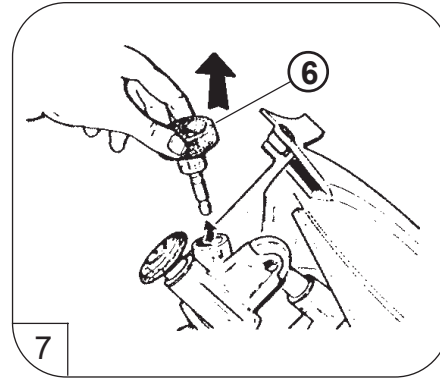
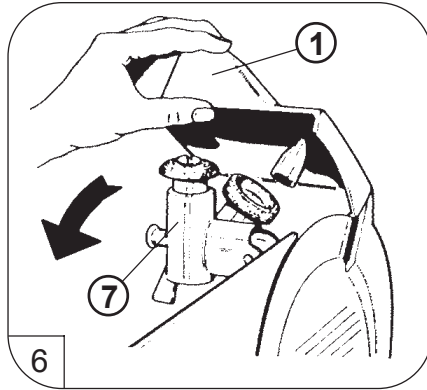
To sharpen, first turning the switch in on position, so that the knife turns, the slowly rotate the lever which lets both stones go in contact with the knife; sharpening and trimming are made in same time fig. 5.



Replace the sharpener to normal horizontal position, by lifting the pin (item 7) and close the cover fig. 6. The grinding stone (item 6), fitted on its pin, can be easily removed, by just drawing it fig. 7. To get a nice sharpening, the grinding stone must be clean and free of grease. The sharpening time depends on the wear of the knife. To get a good result the time needed is 10 to 15 seconds. A longer sharpening reduce the duration of

MAINTENANCE

the knife and gives no advantage. Wipe the slicer with a clean damp cloth to remove any grinding particles.



LUBRICATION

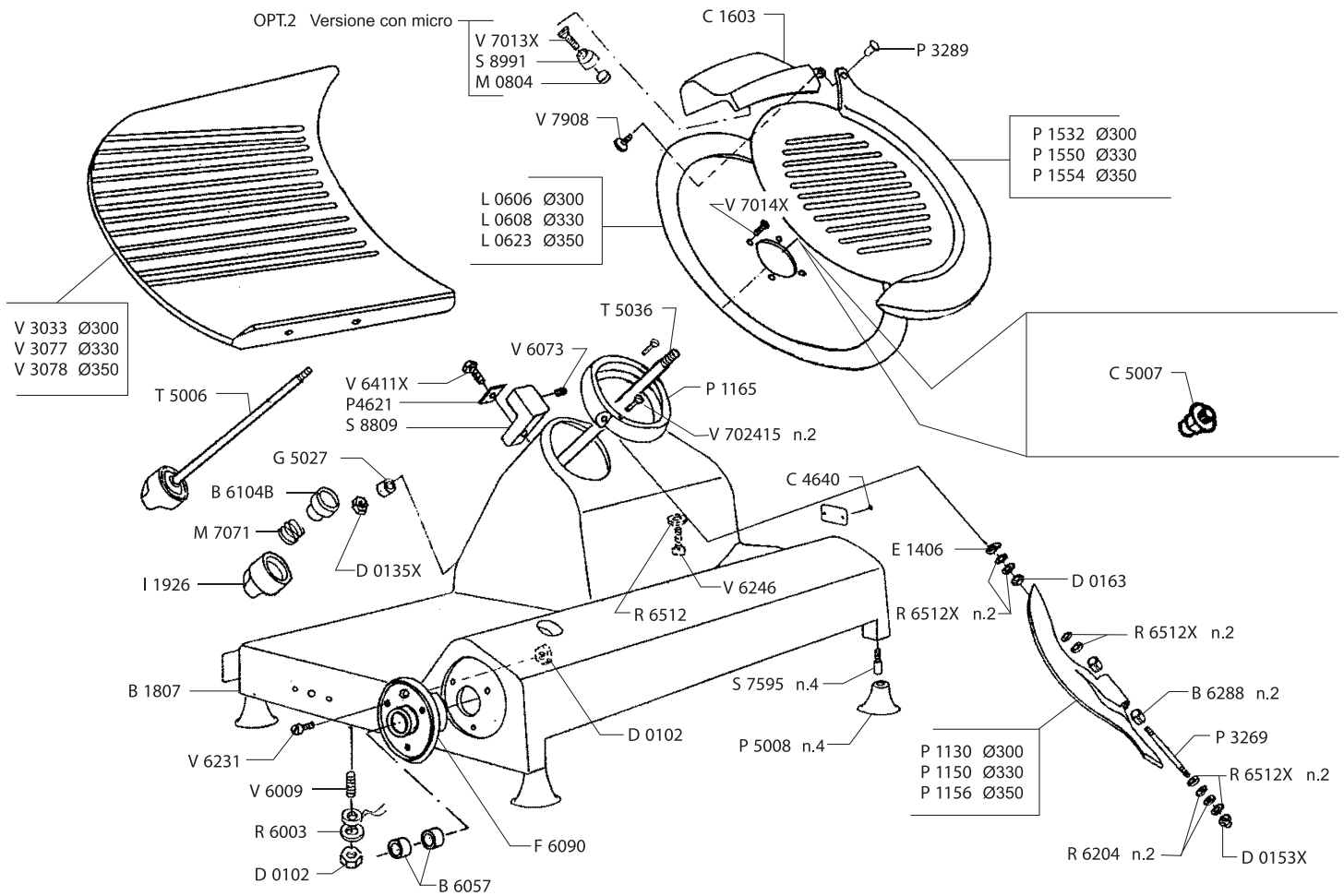
The rod on which the product holder slides, which is underneath the slicer, should be lubricated weekly with several drops of oil. Stop the carriage at the end of the stroke nearest the operator and pour the lubricant into the special oiler. **DO NOT** use vegetable oil. Occasionally, the slice thickness plate slide rod should be coated lightly with lubricant. Turn the slice thickness control fully counterclockwise when lubricating this slide rod and then turn it fully clockwise when finished. **DO NOT** lubricate the rod on which the last slice device slides. It must be kept clean but not lubricated. The motor has sealed bearings and requires no lubrication maintenance.

WEAR ADJUSTMENT

After several years of operation and many sharpening of the blade it may become necessary to have the slice **thickness plate** (14) adjusted closer to the blade.

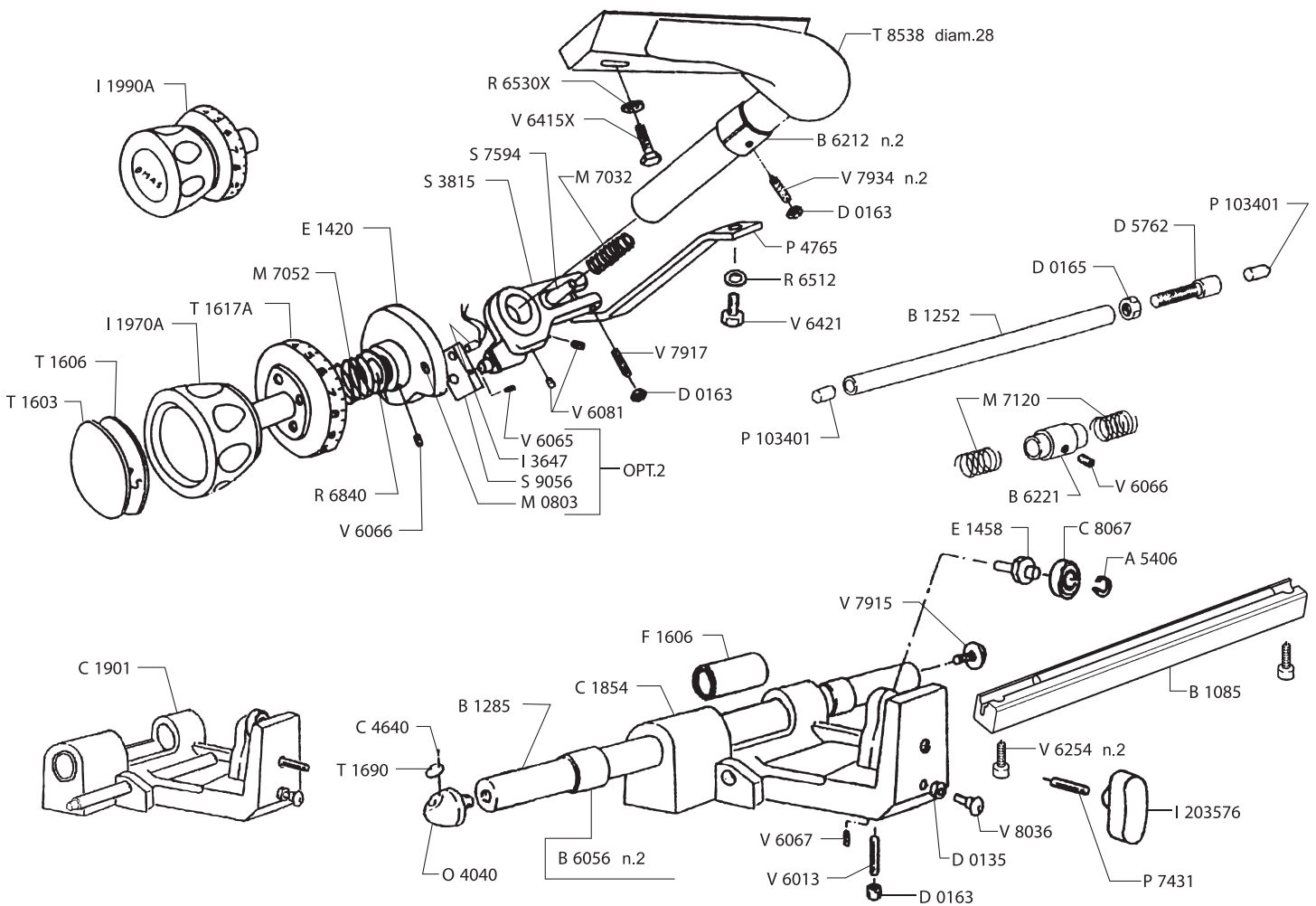
PARTS BREAKDOWN

ITEM	MODEL
13641	MS-IT-0300-G
13642	MS-IT-0330-G
13643	MS-IT-0350-G



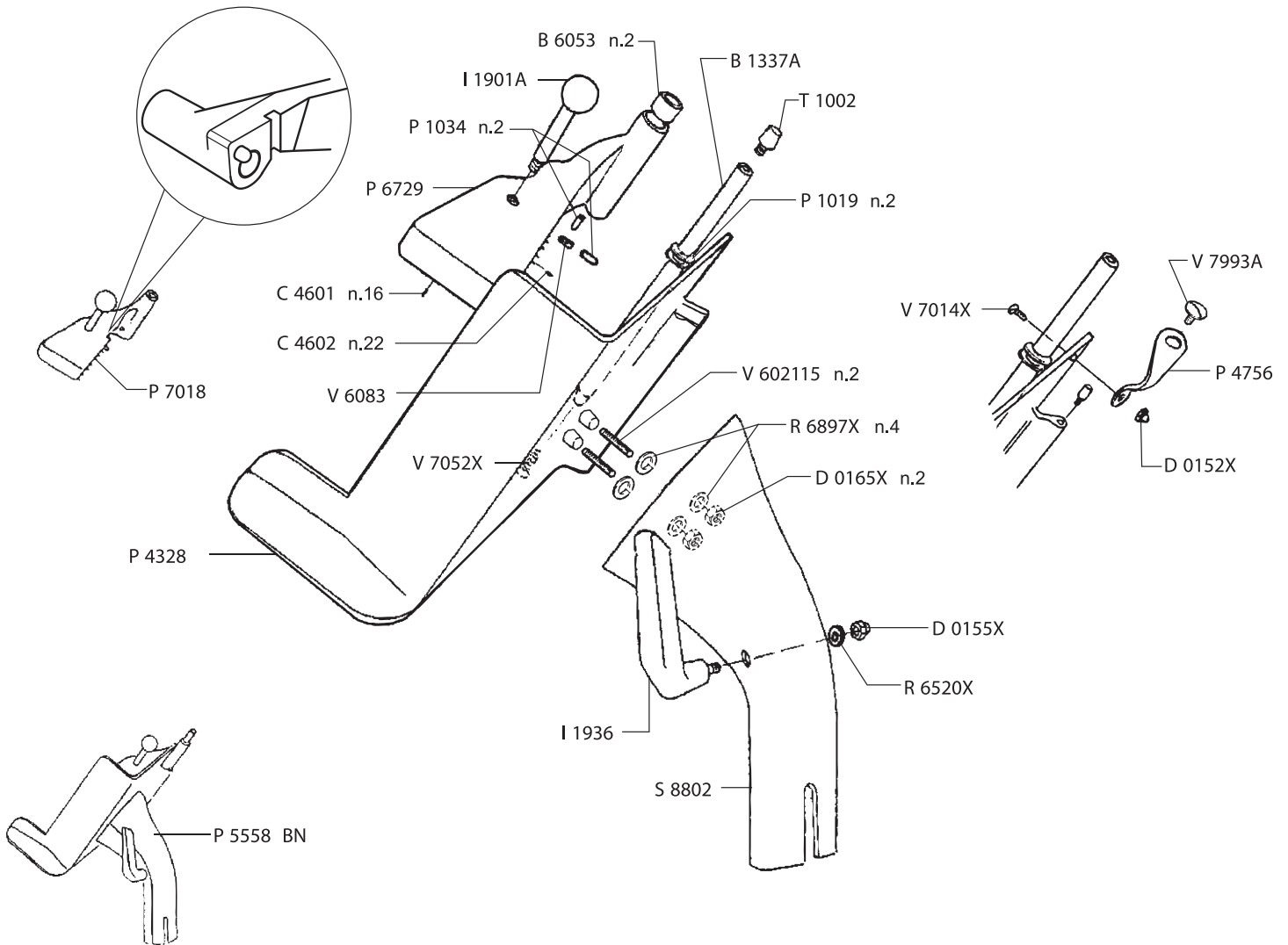
PARTS BREAKDOWN

ITEM	MODEL
13641	MS-IT-0300-G
13642	MS-IT-0330-G
13643	MS-IT-0350-G



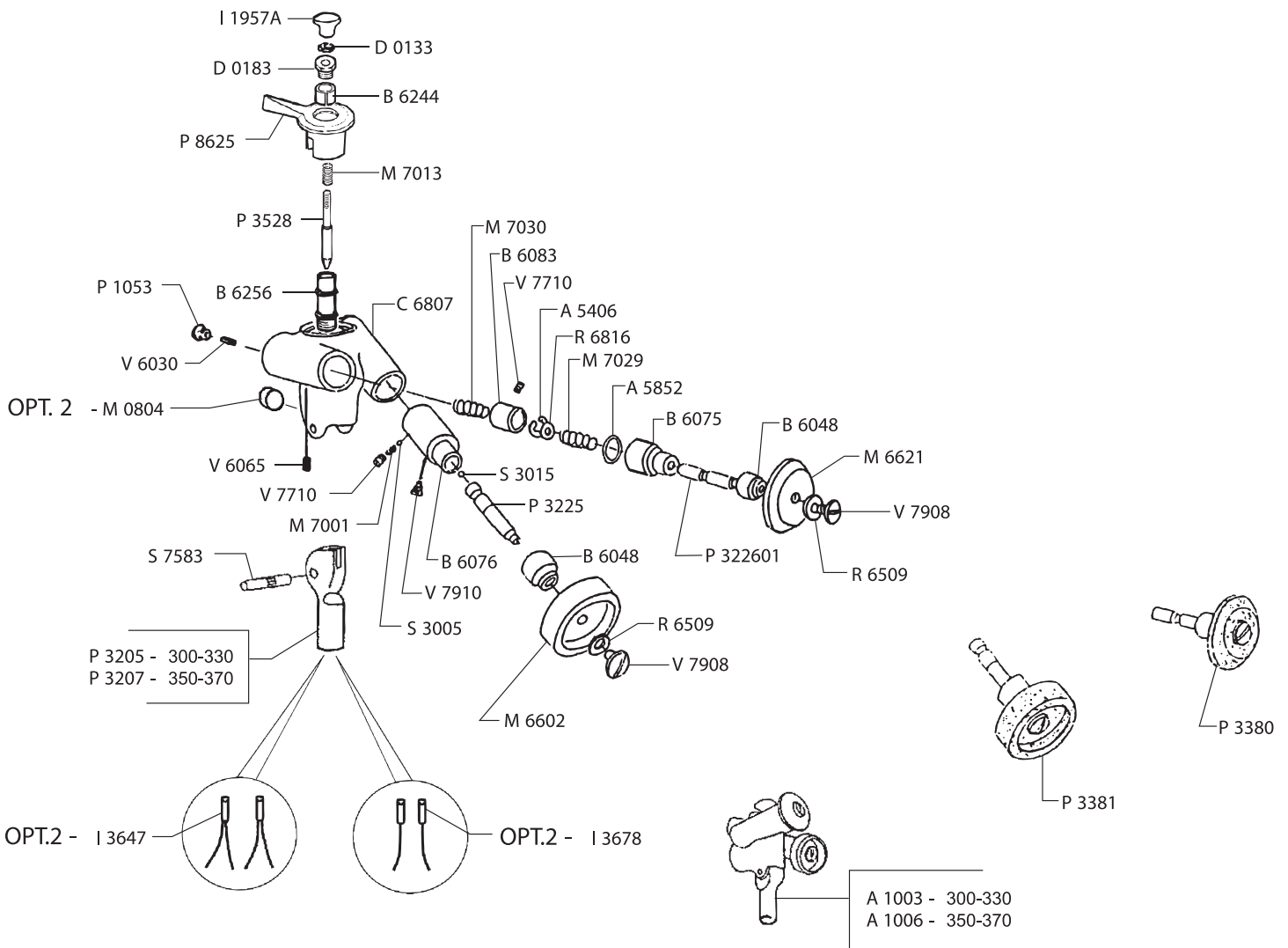
PARTS BREAKDOWN

ITEM	MODEL
13641	MS-IT-0300-G
13642	MS-IT-0330-G
13643	MS-IT-0350-G



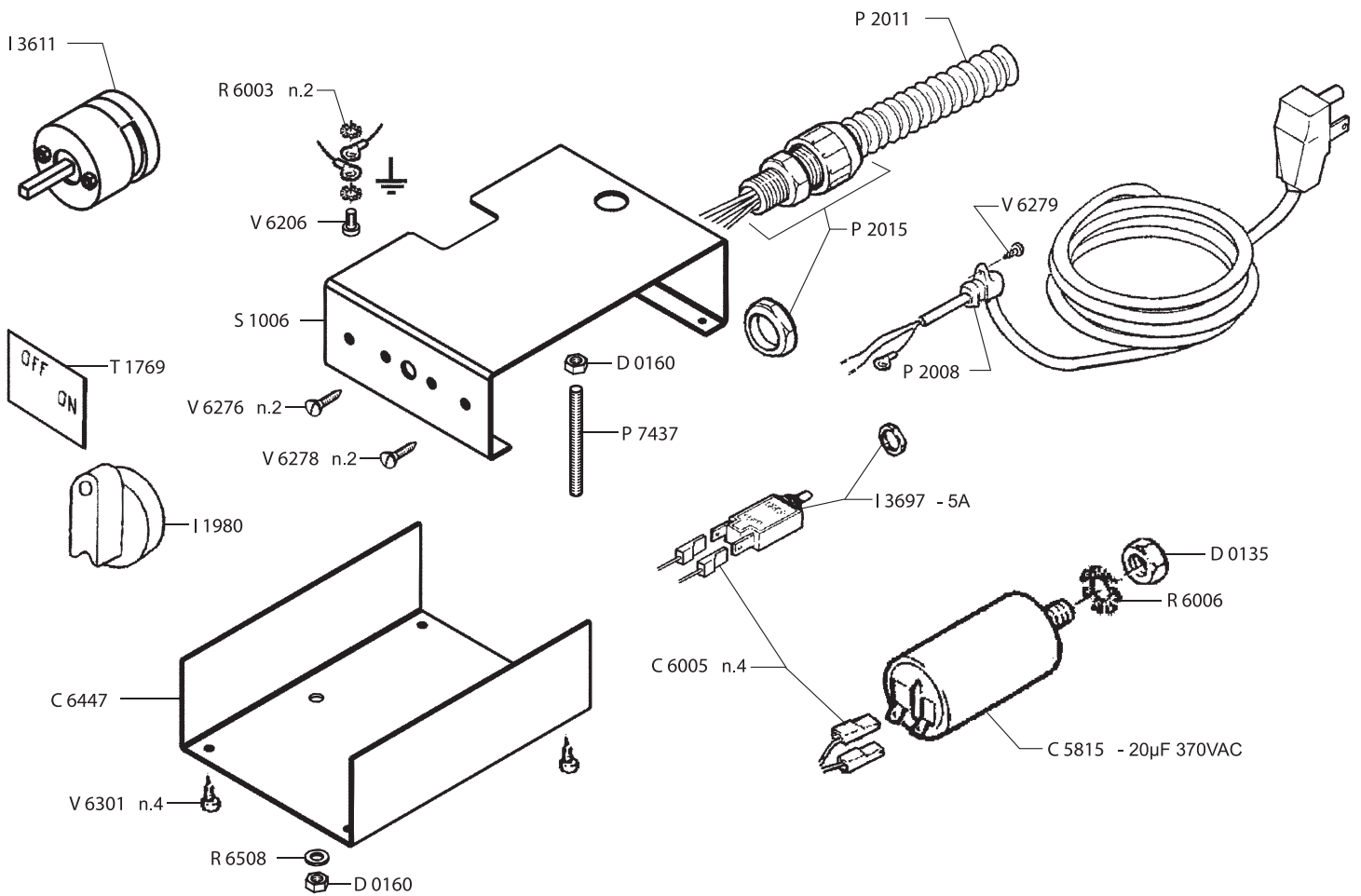
PARTS BREAKDOWN

ITEM	MODEL
13641	MS-IT-0300-G
13642	MS-IT-0330-G
13643	MS-IT-0350-G



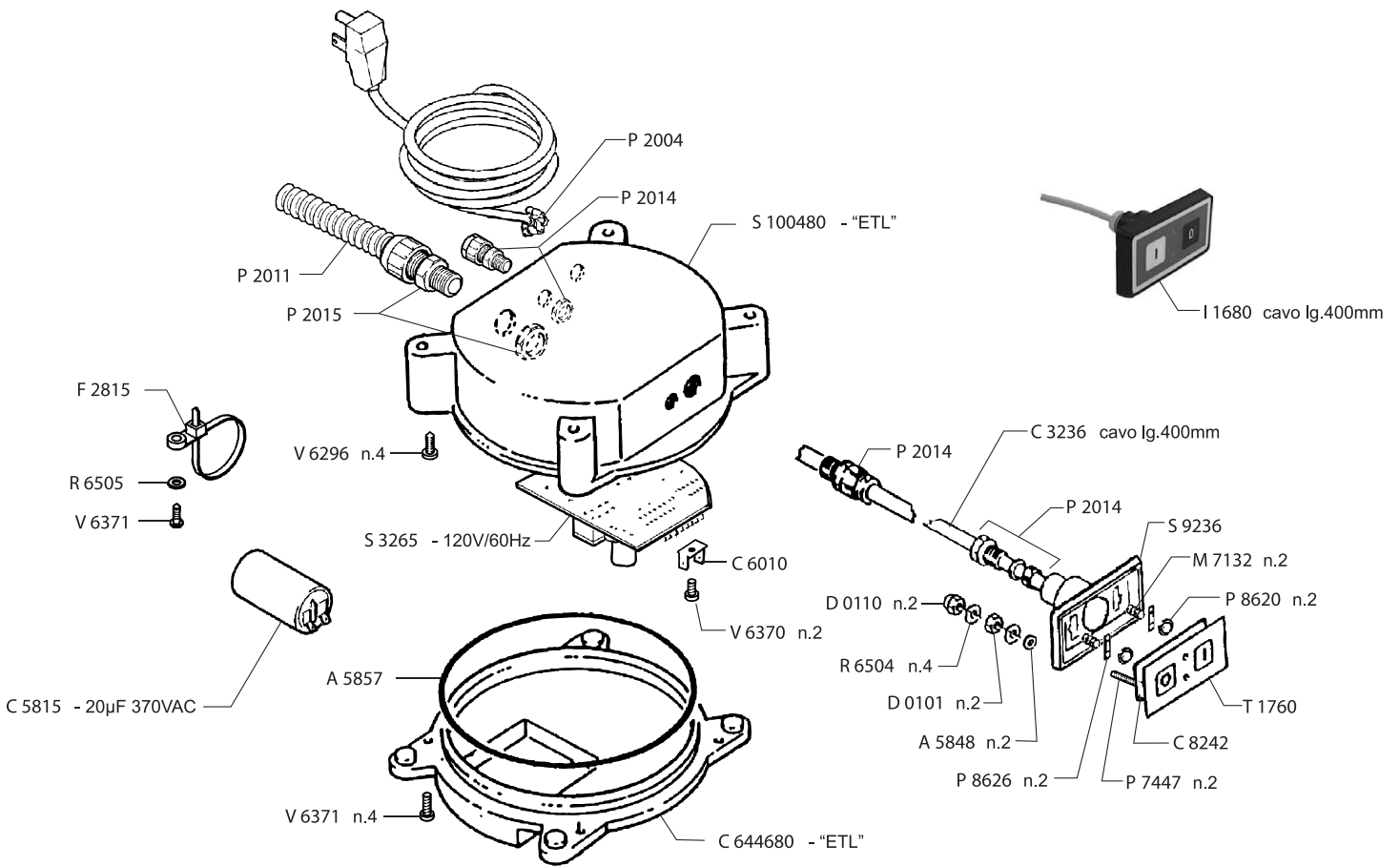
PARTS BREAKDOWN

ITEM	MODEL
13641	MS-IT-0300-G
13642	MS-IT-0330-G
13643	MS-IT-0350-G



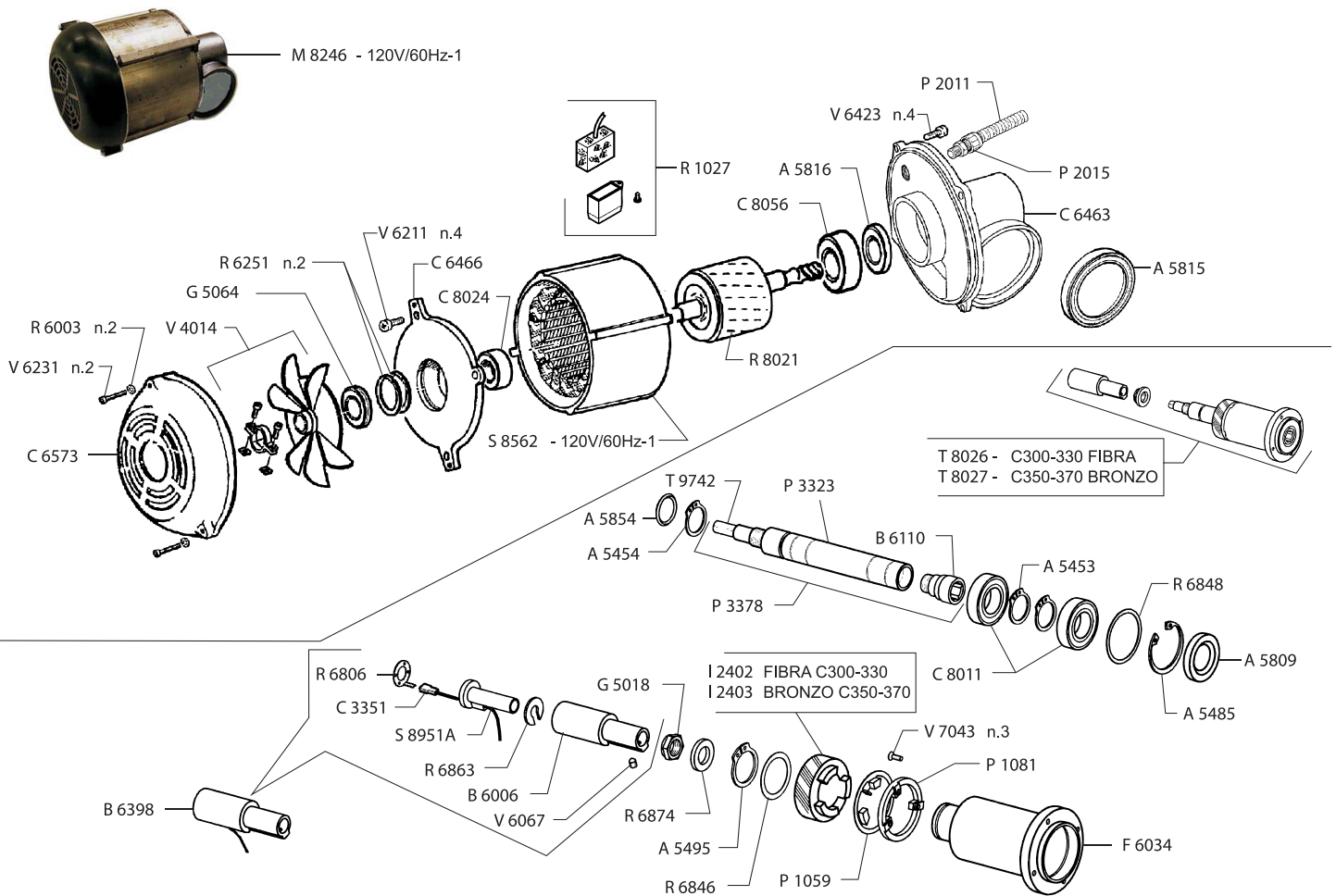
PARTS BREAKDOWN

ITEM	MODEL
13641	MS-IT-0300-G
13642	MS-IT-0330-G
13643	MS-IT-0350-G



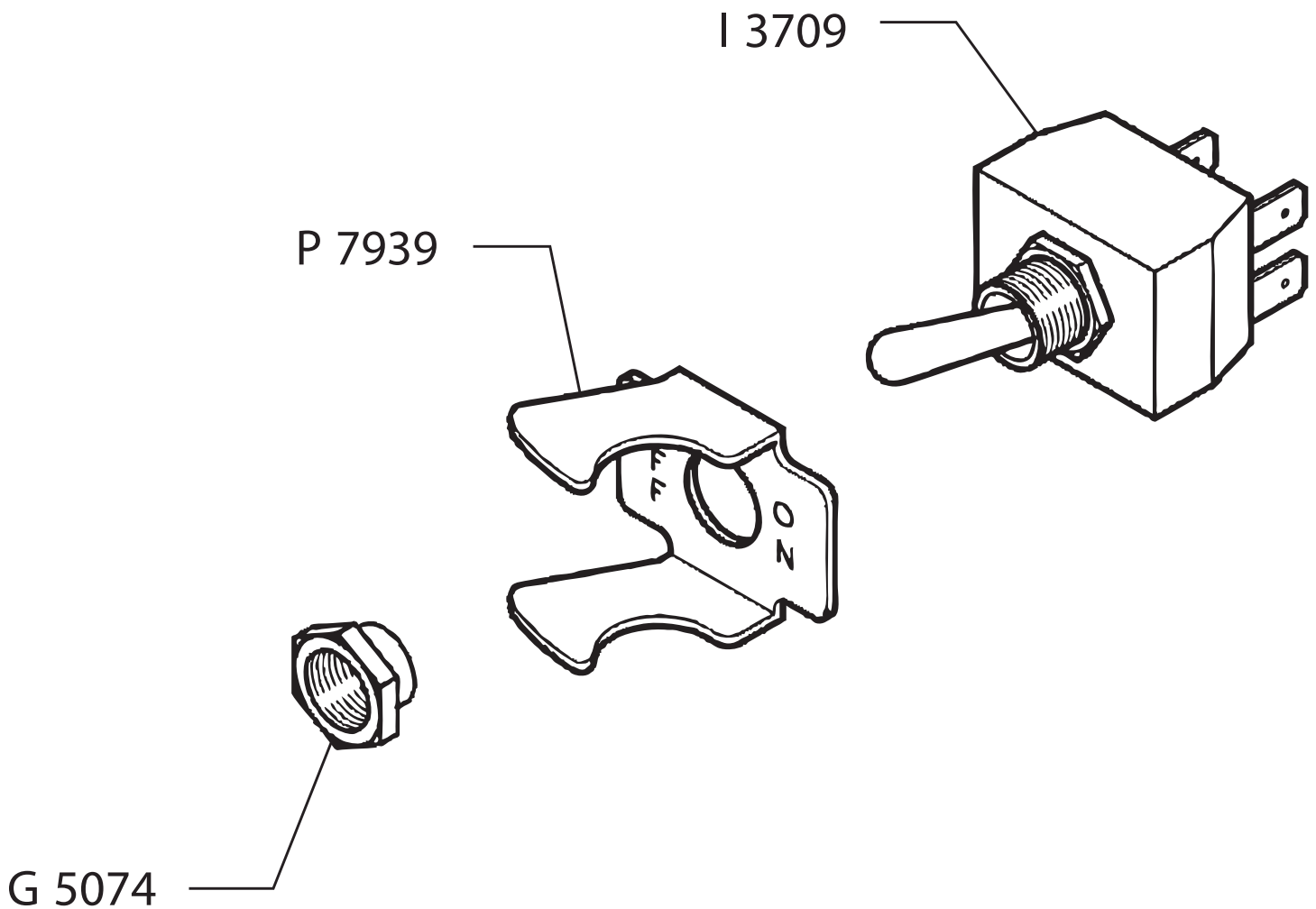
PARTS BREAKDOWN

ITEM	MODEL
13641	MS-IT-0300-G
13642	MS-IT-0330-G
13643	MS-IT-0350-G



PARTS BREAKDOWN

ITEM	MODEL
13641	MS-IT-0300-G
13642	MS-IT-0330-G
13643	MS-IT-0350-G



PARTS BREAKDOWN

ITEM	MODEL
13641	MS-IT-0300-G

Item No.	Description	Position	Item No.	Description	Position	Item No.	Description	Position
17272	Sharpening Assy (Support & Stones) for 13641	A1003	19630	Bushing Fastener HBC for 13641	B6104B	17334	Bearing 2Z-6205 25x52x15 for 13641	C8011
16902	Ring EL.Benzing 8 for 13641	A5406	78265	Bushing Funnel for 13641	B6110	16925	Bearing 2RS-6204 20x47x14 for 13641	C8024
17281	Ring EL.Seeger Ext.25 for 13641	A5453	18648	Bushing for 13641	B6212	36631	Bearing 2RS-6205 25x52x15 for 13641	C8056
77585	Ring EL.Seeger EST.25 Ser.Heavy for 13641	A5454	36566	Bushing to Hold Carriage Springs for 13641	B6221	16926	Bearing 2RS-6000 (10x26x8) for 13641	C8067
19484	Ring 52 for 13641	A5485	17313	Bushing DU 14x15x16 for 13641	B6244	60423	Touch Pad Gasket for 13641	C8242
19612	Ring 33 for 13641	A5495	23646	Sharpener Pivot Ferrule for 13641	B6256	19637	Nut M3 for 13641	D0101
17283	Oil Seal 25x52x10 for 13641	A5809	41601	Bushing DU 6x8x10 for 13641	B6288	19638	Nut M4 for 13641	D0102
17285	Oil Seal 60x75x8 for 13641	A5815	78677	Bushing Fastener Guard Knife C for 13641	B6398	77612	Self-Locking Nut M3 UNI7473 for 13641	D0110
19493	Oil Seal 25x47x07 for 13641	A5816	16909	Sharpener Cover for 13641	C1603	16928	Nut U5589 M6 for 13641	D0133
77601	Oil Seal OR 2010 for 13641	A5848	36590	AG35-C-H Carriage for 13641	C1854	19639	Nut M8 for 13641	D0135
17287	O-Ring 123 17.86x2.62 for 13641	A5852	19527	Carriage Ass C for 13641	C1901	36637	Nut U5589 M8 Stainless Steel for 13641	D0135X
17288	O-Ring 3081 20.24x2.62 for 13641	A5854	77605	Assy Wiring 6 Poles LG.400 for 13641	C3236	36639	Nut U5721 M5 Stainless Steel for 13641	D0152X
77602	O-Ring OR 4500 for 13641	A5857	65610	Cord 0.5 LG.750 Coverblade Microswitch for 13641	C3351	36640	Domed Nut U5721 M6 Stainless Steel for 13641	D0153X
36547	Carriage Rod lg.465 for 13641	B1085	17316	Pin 8.5mm for 13641	C4601	19642	Nut M8 for 13641	D0155X
36549	Shock Absorber Rod 12x185 for 13641	B1252	17317	Pin .11 for 13641	C4602	36643	Nut U5588 M5 for 13641	D0160
36552	Carriage Rod for 13641	B1285	36601	Rivet 1.9x5 for 13641	C4640	19644	Nut M6 for 13641	D0163
19501	Meat Grip Rod A310 & C for 13641	B1337A	36607	Blade Cover Bolt Keeper 14x14 M for 13641	C5007	36647	Nut U5588 M8 for 13641	D0165
78270	Body for 13641	B1807	20458	Capacitor 20uF for 13641	C5815	36648	Nut U5588 M8 for 13641	D0165X
17298	Bushing Fastener C for 13641	B6006	AI225	Connector for 13641	C6005	36651	Sharpener Support Nut for 13641	D0183
16904	Bushing Sharpener for 13641	B6048	74403	Connector Faston 2 Poles Male for 13641	C6010	36661	Carriage Shock Absorber Spacer for 13641	D5762
16905	Bushing DU 16x18x15 for 13641	B6053	77611	P.C.B. Cover Box for 13641	C644680	30459	Stop Cam for 13641	E1406
17304	Bushing DU 25x28x20 for 13641	B6056	AI226	Cover Box for S1006 for 13641	C6447	17342	Cam 15mm for 13641	E1420
17305	Bushing DU 18x20x15 for 13641	B6057	78266	Front Motor Cover for 13641	C6463	17345	Cam Bearing for 13641	E1458
16906	Bush Sharpening for 13641	B6075	36615	Back Motor Cover for 13641	C6466	77614	Nylon Cable Tie (Diam.45x200) for 13641	F2815
16907	Bush. Sharpening for 13641	B6076	36617	Motor Fan Cover for 13641	C6573	17348	Flange Knife C for 13641	F6034
17307	Bushing Sharp. for 13641	B6083	19534	Housing Sharpener H for 13641	C6807	17351	Locknut for 13641	G5018

PARTS BREAKDOWN

ITEM	MODEL
13641	MS-IT-0300-G

Item No.	Description	Position	Item No.	Description	Position	Item No.	Description	Position
36689	Stainless Steel Locknut M8 for 13641	G5027	19250	Spring 24.8x1.8x15 for 13641	M7071	17426	Assy Honing Stone Pivot for 13641	P3380
36697	Logging Lock Nut GL25 for 13641	G5064	19248	Spring 15.6x20x2.2 for 13641	M7120	17427	Assy Grinding Stone & Pin for 13641	P3381
17352	Touch Pad-Start/Stop Push Button for 13641	I1680	78283	Screw for 13641	M7132	23645	Sharpener Pivot for 13641	P3528
16930	Handle C for 13641	I1901A	20263	Motor 120V/60Hz-1 for 13641	M8246	26126	Table for 13641	P4328
17356	Fastener Handle for 13641	I1926	19791	Oiler Oil Cap with Screw for 13641	O4040	19831	Gauge Plate Flat Bar VS for 13641	P4621
19587	Sharpener Knob for 13641	I1957A	17390	Rubber Shock ABS. 16x22x2.5 for 13641	P1019	16960	Support Plate for 13641	P4756
36705	Adjustment Knob for 13641	I1970A	17392	PL.Shock Absorb.8.5x20 for 13641	P1034	36830	Flat Bar C for 13641	P4765
36707	Switch Handle for 13641	I1980	36761	Shock Absorber for 13641	P103401	16961	Foot for 13641	P5008
36708	Assy Index Knob for 13641	I1990A	36762	Rubber Plug for 13641	P1053	78235	End Grip for 13641	P6729
18220	Knob-Handling for 13641	I203576	16955	Shock Absorber for 13641	P1059	17443	End Grip for 13641	P7018
62453	Nylon Gear with Cap for 13641	I2402	17395	Shock Absorber for 13641	P1081	17444	Stud Carriage for 13641	P7431
16938	Switch and Knob for 13641	I3611	17402	Deflector HM-HP for 13641	P1130	AI228	Stud Motor Cover for 13641	P7437
17369	Switch 4x20 for 13641	I3647	27888	Ring Deflector for 13641	P1165	60424	Touch Pad Screw for 13641	P7447
36723	Switch 4x25 for 13641	I3678	36766	Knife Guard for 13641	P1532	AI229	Protection Switch Lev.(ETL) for 13641	P7939
72282	Overload Protector for 13641	I3697	77616	Strain Relief for 13641	P2004	78282	Lock Washer for 13641	P8620
AI227	Interr.Bipolare A Levetta 16A for 13641	I3709	17415	Strain Relief for 13641	P2008	24030	Sharpener Operating Handle for 13641	P8625
13593	Blade 300 57x4x254x22 for 13641	L0606	60421	Electrical Conduit for 13641	P2011	78284	Bracket for 13641	P8626
36733	Magnet 8x10 for 13641	M0803	36778	Wire-Press for 13641	P2014	65640	Oil Receiver for 13641	R1027
21645	G Stone 51x15x14.3 for 13641	M6602	36779	Core-Hitch+Nut for 13641	P2015	19657	Washer 4 for 13641	R6003
21644	F Stone 51x7x14.3 for 13641	M6621	19811	Pin Sharpener for 13641	P3205	19659	Washer 8 for 13641	R6006
36741	Spring 2.9x4x12 Stainless Steel for 13641	M7001	16959	Pin Grinding for 13641	P3225	17454	Washer for 13641	R6204
17377	Spring 8.5x1.0x25 Stainless Steel for 13641	M7013	17419	Pin Truing for 13641	P322601	78258	Washer 30.5x46.5x0.6 for 13641	R6251
17379	Spring 11.9x0.7x27 Stainless Steel for 13641	M7029	17422	Pin Deflector for 13641	P3269	36880	Washer U6592 3 for 13641	R6504
17380	Spring 13.4x1.3x30 Stainless Steel for 13641	M7030	17423	Pivot Hinged Support O10x22 (Pin Grinding Long) for 13641	P3289	17455	Washer U6592 4 for 13641	R6505
19776	Spring 14x1.5x60 for 13641	M7032	78237	Knife Shaft for 13641	P3323	17456	Washer U6592 5 for 13641	R6508
17381	Spring 22 5x1 8x18 for 13641	M7052	23649	Knife Shaft for 13641	P3378	20422	Washer for 13641	R6509

PARTS BREAKDOWN

ITEM	MODEL
13641	MS-IT-0300-G

Item No.	Description	Position	Item No.	Description	Position	Item No.	Description	Position
16967	Washer U65926 for 13641	R6512	36934	Bracket.Tray C for 13641	S8802	19692	Screw M6x8 for 13641	V6067
17457	Washer U6592 6 Stainless Steel for 13641	R6512X	19871	Bracket Sharpener for 13641	S8809	23648	Screw for 13641	V6073
36884	Washer U6592 8 Stainless Steel for 13641	R6520X	78236	Bracket Washer C for 13641	S8951A	37030	Screw M12x16 U5927 for 13641	V6081
36885	Washer U6592 10 Stainless Steel for 13641	R6530X	60422	Touch Pad Back Casing for 13641	S9236	37031	Screw STEI U5929 M8x16 for 13641	V6083
17458	Contact Washer for 13641	R6806	19878	Rubber Cap for 13641	T1002	37033	Screw TC U6107 M4x8 for 13641	V6206
36889	Washer 10.5x16x1 for 13641	R6816	19879	Label for 13641	T1603	19697	Screw M5x16 for 13641	V6211
16969	Washer 18.2x25x0.5 for 13641	R6840	19880	Label for 13641	T1606	19699	Screw M4x25 for 13641	V6231
17460	Washer 34.2x46x0.5 for 13641	R6846	36985	Label Plate for 13641	T1617A	19702	Screw M6x25 for 13641	V6246
19674	Washer 44.5x51.5x0.2 for 13641	R6848	19883	Label Oil for 13641	T1690	37042	Screw TCEI U5931 M8x25 for 13641	V6254
19675	Washer C for 13641	R6863	77628	Switch Overlay H-C (CE) for 13641	T1760	37047	Screw TC AUT.D7971 2.9x13 for 13641	V6276
36892	Washer 17x30x4 for 13641	R6874	16978	Blade Cover Fastener Assy C for 13641	T5006	19706	Screw for 13641	V6278
36893	Stainless Steel Special Washer 8.5x24x2 for 13641	R6897X	19887	Blade Cover Fastener C for 13641	T5036	37048	Screw TCTC AUT.D7981 3.5x9.5 for 13641	V6279
78261	Rotor Stator H.50 for 13641	R8021	16983	Knife Shaft Assy for 13641	T8026	77629	Screw TBTC AUT.U6954 4.2x13 for 13641	V6296
77619	P.C.B. Protection Box for 13641	S100480	36999	Riding Pin (Diam.28) for 13641	T8538	37054	Screw TBTC AUT.U6954 2.9x9.5 for 13641	V6301
AI230	Electric Box for 13641	S1006	79283	Shaft Pin for 13641	T9742	37058	Stainless Steel Screw M4x8 for 13641	V6370
19680	Ball 3 17 for 13641	S3005	37005	Gauge Plate for 13641	V3033	37059	Stainless Steel Screw M4x14 for 13641	V6371
17465	Ball 4.76 for 13641	S3015	37013	Motor Fan MEC80 148x16 for 13641	V4014	37061	Screw TE U5739 M8x35 Inox for 13641	V6411X
AP747	Electric P.C. Board 120V/60 for 13641	S3265	37017	Screw STTC U6113 M4x30 for 13641	V6009	37064	Screw TE U5739 M10x35 for 13641	V6415X
36908	Track C-CD for 13641	S3815	17492	Screw STTC U6113 M6x40 for 13641	V6013	37066	Screw TE U5737 M6x15 for 13641	V6421
17475	Pin 8x42 for 13641	S7583	26127	Stud C Model for 13641	V602115	37067	Screw TE U5739 M5x20 for 13641	V6423
19867	Pin D10 M6 L26 for 13641	S7594	37021	Screw for 13641	V6030	37078	Stainless Steel Screw TSP U6109 M5x12 for 13641	V7013X
17476	Foot Support Pin D.10 M8 L.37 for 13641	S7595	37023	Screw STEI U5929 M5x5 for 13641	V6065	17497	Screw TSP U6109 M5x15 Stainless Steel for 13641	V7014X
19870	Stator 120/60 for 13641	S8562	19691	Grub Screw M6x6 for 13641	V6066	37080	Stainless Steel Screw M4x40 U6109 for 13641	V702415

PARTS BREAKDOWN

ITEM	MODEL
13641	MS-IT-0300-G

Item No.	Description	Position	Item No.	Description	Position	Item No.	Description	Position
17498	Screw TSPEI U5933 M4x10 for 13641	V7043	19715	Screw Sharpener for 13641	V7910	37095	Screw for Rod 6x13 for 13641	V7993A
37084	Screw TSPEI U5933 M10x30 Stainless for 13641	V7052X	17504	Bar Screw M6x14 Stainless Steel for 13641	V7915	19920	Screw M8x30 for 13641	V8036
19713	Screw Sharpener for 13641	V7710	19717	Screw M6x50 for 13641	V7917			
17503	Screw M5x13 for 13641	V7908	19720	Screw M6 for 13641	V7934			

PARTS BREAKDOWN

ITEM	MODEL
13642	MS-IT-0330-G

Item No.	Description	Position	Item No.	Description	Position	Item No.	Description	Position
17272	Sharpening Assy (Support & Stones) for 13642	A1003	17307	Bushing Sharp. for 13642	B6083	36617	Motor Fan Cover for 13642	C6573
16902	Ring EL.Benzing 8 for 13642	A5406	19630	Bushing Fastener HBC for 13642	B6104B	19534	Housing Sharpener H for 13642	C6807
17281	Ring EL.Seeger Ext.25 for 13642	A5453	78265	Bushing Funnel for 13642	B6110	17334	Bearing 2Z-6205 25x52x15 for 13642	C8011
77585	Ring EL.Seeger Est.25 Ser.Heavy for 13642	A5454	18648	Bushing for 13642	B6212	16925	Bearing 2RS-6204 20x47x14 for 13642	C8024
19484	Ring 52 for 13642	A5485	36566	Bushing to Hold Carriage Springs for 13642	B6221	36631	Bearing 2RS-6205 25x52x15 for 13642	C8056
19612	Ring 33 for 13642	A5495	17313	Bushing DU 14x15x16 for 13642	B6244	16926	Bearing 2RS-6000 (10x26x8) for 13642	C8067
17283	Oil Seal 25x52x10 for 13642	A5809	23646	Sharpener Pivot Ferrule for 13642	B6256	60423	Touch Pad Gasket for 13642	C8242
17285	Oil Seal 60x75x8 for 13642	A5815	41601	Bushing DU 6x8x10 for 13642	B6288	19637	Nut M3 for 13642	D0101
19493	Oil Seal 25x47x07 for 13642	A5816	78677	Bushing Fastener Guard Knife C for 13642	B6398	19638	Nut M4 for 13642	D0102
77601	Oil Seal OR 2010 for 13642	A5848	16909	Sharpener Cover for 13642	C1603	77612	Self-Locking Nut M3 UNI7473 for 13642	D0110
17287	O-Ring 123 17.86x2.62 for 13642	A5852	36590	Carriage for 13642	C1854	16928	Nut U5589 M6 for 13642	D0133
17288	O-Ring 3081 20.24x2.62 for 13642	A5854	19527	Carriage Ass C for 13642	C1901	19639	Nut M8 for 13642	D0135
77602	O-Ring OR 4500 for 13642	A5857	77605	Assy Wiring 6 Poles LG.400 for 13642	C3236	36637	Nut U5589 M8 Stainless Steel for 13642	D0135X
36547	Carriage Rod lg.465 for 13642	B1085	65610	Cord 0.5 LG.750 Coverblade Microswitch for 13642	C3351	36639	Nut U5721 M5 Stainless Steel for 13642	D0152X
36549	Shock Absorber Rod 12x185 for 13642	B1252	17316	Pin 8.5mm for 13642	C4601	36640	Domed Nut U5721 M6 Stainless Steel for 13642	D0153X
36552	Carriage Rod for 13642	B1285	17317	Pin .11 for 13642	C4602	19642	Nut M8 for 13642	D0155X
19501	Meat Grip Rod A310 & C for 13642	B1337A	36601	Rivet 1.9x5 for 13642	C4640	36643	Nut U5588 M5 for 13642	D0160
78270	Body for 13642	B1807	36607	Blade Cover Bolt Keeper 14x14 M for 13642	C5007	19644	Nut M6 for 13642	D0163
17298	Bushing Fastener C for 13642	B6006	20458	Capacitor 14uF for 13642	C5815	36647	Nut U5588 M8 for 13642	D0165
16904	Bushing Sharpener for 13642	B6048	AI225	Connector for 13642	C6005	36648	Nut U5588 M8 for 13642	D0165X
16905	Bushing DU 16x18x15 for 13642	B6053	74403	Connector Faston 2 Poles Male for 13642	C6010	36651	Sharpener Support Nut for 13642	D0183
17304	Bushing for 13642	B6056	77611	P.C.B. Cover Box for 13642	C644680	36661	Carriage Shock Absorber Spacer for 13642	D5762
17305	Bushing DU 18x20x15 for 13642	B6057	AI226	Cover Box for S1006 for 13642	C6447	30459	Stop Cam for 13642	E1406
16906	Bush Sharpening for 13642	B6075	78266	Front Motor Cover for 13642	C6463	17342	Cam 15mm for 13642	E1420
16907	Bush. Sharpening for 13642	B6076	36615	Back Motor Cover for 13642	C6466	17345	Cam Bearing for 13642	E1458

PARTS BREAKDOWN

ITEM	MODEL
13642	MS-IT-0330-G

Item No.	Description	Position	Item No.	Description	Position	Item No.	Description	Position
77614	Nylon Cable Tie (Diam.45x200) for 13642	F2815	19776	Spring 14x1.5x60 for 13642	M7032	23649	Knife Shaft for 13642	P3378
17348	Flange Knife C for 13642	F6034	17381	Spring 22 5x1 8x18 for 13642	M7052	17426	Assy Honing Stone Pivot for 13642	P3380
17351	Locknut for 13642	G5018	19250	Spring 24.8x1.8x15 for 13642	M7071	17427	Assy Grinding Stone & Pin for 13642	P3381
36689	Stainless Steel Locknut M8 for 13642	G5027	19248	Spring 15.6x20x2.2 for 13642	M7120	23645	Sharpener Pivot for 13642	P3528
36697	Logging Lock Nut for 13642	G5064	78283	Screw for 13642	M7132	26126	Table for 13642	P4328
17352	Touch Pad-Start/Stop Push Button for 13642	I1680	20263	Motor 120V/60Hz-1 for 13642	M8246	19831	Gauge Plate Flat Bar VS for 13642	P4621
16930	Handle C for 13642	I1901A	19791	Oiler Oil Cap with Screw for 13642	O4040	16960	Support Plate for 13642	P4756
17356	Fastener Handle for 13642	I1926	17390	Rubber Shock ABS. 16x22x2.5 for 13642	P1019	36830	Flat Bar C for 13642	P4765
19587	Sharpener Knob for 13642	I1957A	17392	PL.Shock Absorb.8.5x20 for 13642	P1034	16961	Foot for 13642	P5008
36705	Adjustment Knob for 13642	I1970A	36761	Shock Absorber for 13642	P103401	78235	End Grip for 13642	P6729
36707	Switch Handle for 13642	I1980	36762	Rubber Plug for 13642	P1053	17443	End Grip for 13642	P7018
36708	Assy Index Knob for 13642	I1990A	16955	Shock Absorber for 13642	P1059	17444	Stud Carriage for 13642	P7431
18220	Knob-Handling for 13642	I203576	17395	Shock Absorber for 13642	P1081	AI228	Stud Motor Cover for 13642	P7437
62453	Nylon Gear for 13642	I2402	19805	Deflector for 13642	P1150	60424	Touch Pad Screw for 13642	P7447
16938	Switch and Knob for 13642	I3611	27888	Ring Deflector for 13642	P1165	AI229	Protection Switch Lev.(ETL) for 13642	P7939
17369	Switch 4x20 for 13642	I3647	17412	Knife Guard for 13642	P1550	78282	Lock Washer for 13642	P8620
36723	Switch 4x25 for 13642	I3678	77616	Strain Relief for 13642	P2004	24030	Sharpener Operating Handle	P8625
72282	Overload Protector for 13642	I3697	17415	Strain Relief for 13642	P2008	78284	Bracket for 13642	P8626
AI227	Interr.Bipolare A Levetta 16A for 13642	I3709	60421	Electrical Conduit for 13642	P2011	65640	Oil Receiver for 13642	R1027
13598	Blade 330 57x4x270 for 13642	L0608	36778	Wire-Press for 13642	P2014	19657	Washer 4 for 13642	R6003
36733	Magnet 8x10 for 13642	M0803	36779	Core-Hitch + Nut for 13642	P2015	19659	Washer 8 for 13642	R6006
21645	G Stone 51x15x14.3 for 13642	M6602	19811	Pin Sharpener for 13642	P3205	17454	Washer for 13642	R6204
21644	F Stone 51x7x14.3 for 13642	M6621	16959	Pin Grinding for 13642	P3225	78258	Washer 30.5x46.5x0.6 for 13642	R6251
36741	Spring 2.9x4x12 Stainless Steel for 13642	M7001	17419	Pin Truing for 13642	P322601	36880	Washer U6592 3 for 13642	R6504
17377	Spring 8.5x1.0x25 Stainless Steel for 13642	M7013	17422	Pin Deflector for 13642	P3269	17455	Washer U6592 4 for 13642	R6505
17379	Spring 11.9x0.7x27 Stainless Steel for 13642	M7029	17423	Pivot Hinged Support O10x22 (Pin Grinding Long) for 13642	P3289	17456	Washer U6592 5 for 13642	R6508
17380	Spring 13.4x1.3x30 Stainless Steel for 13642	M7030	78237	Knife Shaft for 13642	P3323	20422	Washer for 13642	R6509

PARTS BREAKDOWN

ITEM	MODEL
13642	MS-IT-0330-G

Item No.	Description	Position	Item No.	Description	Position	Item No.	Description	Position
16967	Washer U65926 for 13642	R6512	19871	Bracket Sharpener for 13642	S8809	37030	Screw M12x16 U5927 for 13642	V6081
17457	Washer U6592 6 Stainless Steel for 13642	R6512X	78236	Bracket Washer C for 13642	S8951A	37031	Screw STEI U5929 M8x16 for 13642	V6083
36884	Washer U6592 8 Stainless Steel for 13642	R6520X	60422	Touch Pad Back Casing for 13642	S9236	37033	Screw TC U6107 M4x8 for 13642	V6206
36885	Washer U6592 10 Stainless Steel for 13642	R6530X	19878	Rubber Cap for 13642	T1002	19697	Screw M5x16 for 13642	V6211
17458	Contact Washer for 13642	R6806	19879	Label for 13642	T1603	19699	Screw M4x25 for 13642	V6231
36889	Washer 10.5x16x1 for 13642	R6816	19880	Label for 13642	T1606	19702	Screw M6x25 for 13642	V6246
16969	Washer 18.2x25x0.5 for 13642	R6840	36985	Label Plate for 13642	T1617A	37042	Screw TCEI U5931 M8x25 for 13642	V6254
17460	Washer 34.2x46x0.5 for 13642	R6846	19883	Label Oil for 13642	T1690	37047	Screw TC AUT.D7971 2.9x13 for 13642	V6276
19674	Washer 44.5x51.5x0.2 for 13642	R6848	77628	Switch Overlay for 13642	T1760	19706	Screw for 13642	V6278
19675	Washer C for 13642	R6863	16978	Blade Cover Fastener Assy C for 13642	T5006	37048	Screw TCTC AUT.D7981 3.5x9.5 for 13642	V6279
36892	Washer 17x30x4 for 13642	R6874	19887	Blade Cover Fastener C for 13642	T5036	77629	Screw TBTC AUT.U6954 4.2x13 for 13642	V6296
36893	Stainless Steel Special Washer 8.5x24x2 for 13642	R6897X	16983	Knife Shaft Assy for 13642	T8026	37054	Screw TBTC AUT.U6954 2.9x9.5 for 13642	V6301
78261	Rotor Stator H.50 for 13642	R8021	36999	Riding Pin (Diam.28) for 13642	T8538	37058	Stainless Steel Screw M4x8 for 13642	V6370
77619	P.C.B. Protection Box for 13642	S100480	79283	Shaft Pin for 13642	T9742	37059	Stainless Steel Screw M4x14 for 13642	V6371
AI230	Electric Box for 13642	S1006	78268	Gauge Plate for 13642	V3077	37061	Screw TE U5739 M8x35 Inox for 13642	V6411X
19680	Ball 3 17 for 13642	S3005	37013	Motor Fan MEC80 148x16 for 13642	V4014	37064	Screw TE U5739 M10x35 for 13642	V6415X
17465	Ball 4.76 for 13642	S3015	37017	Screw STTC U6113 M4x30 for 13642	V6009	37066	Screw TE U5737 M6x15 for 13642	V6421
AP747	Electric P.C. Board 120V/60 for 13642	S3265	17492	Screw STTC U6113 M6x40 for 13642	V6013	37067	Screw TE U5739 M5x20 for 13642	V6423
36908	Track C-CD for 13642	S3815	26127	Stud C Model for 13642	V602115	37078	Stainless Steel Screw TSP U6109 M5x12 for 13642	V7013X
17475	Pin 8x42 for 13642	S7583	37021	Screw for 13642	V6030	17497	Screw TSP U6109 M5x15 Stainless Steel for 13642	V7014X
19867	Pin D10 M6 L26 for 13642	S7594	37023	Screw STEI U5929 M5x5 for 13642	V6065	37080	Stainless Steel Screw M4x40 U6109 for 13642	V702415
17476	Foot Support Pin D.10 M8 L.37 for 13642	S7595	19691	Grub Screw M6x6 for 13642	V6066	17498	Screw TSPEI U5933 M4x10 for 13642	V7043
19870	Stator 120/60 for 13642	S8562	19692	Screw M6x8 for 13642	V6067	37084	Screw TSPEI U5933 M10x30 Stainless for 13642	V7052X
36934	Bracket.Tray C for 13642	S8802	23648	Screw for 13642	V6073	19713	Screw Sharpener for 13642	V7710

PARTS BREAKDOWN

ITEM	MODEL
13642	MS-IT-0330-G

Item No.	Description	Position	Item No.	Description	Position	Item No.	Description	Position
17503	Screw M5x13 for 13642	V7908	19717	Screw M6x50 for 13642	V7917	19920	Screw M8x30 for 13642	V8036
19715	Screw Sharpener for 13642	V7910	19720	Screw M6 for 13642	V7934			
17504	Bar Screw M6x14 Stainless Steel for 13642	V7915	37095	Screw for Rod 6x13 for 13642	V7993A			

PARTS BREAKDOWN

ITEM	MODEL
13643	MS-IT-0350-G

Item No.	Description	Position	Item No.	Description	Position	Item No.	Description	Position
16899	Sharpening Assy for 13643	A1006	19630	Bushing Fastener for 13643	B6104B	17334	Bearing 2Z-6205 25x52x15 for 13643	C8011
16902	Ring EL.Benzing 8 for 13643	A5406	78265	Bushing Funnel for 13643	B6110	16925	Bearing 2RS-6204 20x47x14 for 13643	C8024
17281	Ring EL.Seeger Ext.25 for 13643	A5453	18648	Bushing for 13643	B6212	36631	Bearing 2RS-6205 25x52x15 for 13643	C8056
77585	Ring EL.Seeger Est.25 Ser.Heavy for 13643	A5454	36566	Bushing to Hold Carriage Springs for 13643	B6221	16926	Bearing 2RS-6000 (10x26x8) for 13643	C8067
19484	Ring 52 for 13643	A5485	17313	Bushing DU 14x15x16 for 13643	B6244	60423	Touch Pad Gasket for 13643	C8242
19612	Ring 33 for 13643	A5495	23646	Sharpener Pivot Ferrule for 13643	B6256	19637	Nut M3 for 13643	D0101
17283	Oil Seal 25x52x10 for 13643	A5809	41601	Bushing DU 6x8x10 for 13643	B6288	19638	Nut M4 for 13643	D0102
17285	Oil Seal 60x75x8 for 13643	A5815	78677	Bushing Fastener Guard Knife C for 13643	B6398	77612	Self-Locking Nut M3 UNI7473 for 13643	D0110
19493	Oil Seal 25x47x07 for 13643	A5816	16909	Sharpener Cover for 13643	C1603	16928	Nut U5589 M6 for 13643	D0133
77601	Oil Seal OR 2010 for 13643	A5848	36590	Carriage for 13643	C1854	19639	Nut M8 for 13643	D0135
17287	O-Ring 123 17.86x2.62 for 13643	A5852	19527	Carriage Ass C for 13643	C1901	36637	Nut U5589 M8 Stainless Steel for 13643	D0135X
17288	O-Ring 3081 20.24x2.62 for 13643	A5854	77605	Assy Wiring 6 Poles LG.400 for 13643	C3236	36639	Nut U5721 M5 Stainless Steel for 13643	D0152X
77602	O-Ring OR 4500 for 13643	A5857	65610	Cord 0.5 LG.750 Coverblade Microswitch for 13643	C3351	36640	Domed Nut U5721 M6 Stainless Steel for 13643	D0153X
36547	Carriage Rod lg.465 for 13643	B1085	17316	Pin 8.5mm for 13643	C4601	19642	Nut M8 for 13643	D0155X
36549	Shock Absorber Rod 12x185 for 13643	B1252	17317	Pin .11 for 13643	C4602	36643	Nut U5588 M5 for 13643	D0160
36552	Carriage Rod for 13643	B1285	36601	Rivet 1.9x5 for 13643	C4640	19644	Nut M6 for 13643	D0163
19501	Meat Grip Rod for 13643	B1337A	36607	Blade Cover Bolt Keeper 14x14 M for 13643	C5007	36647	Nut U5588 M8 for 13643	D0165
78270	Body for 13643	B1807	20458	Capacitor 14uF for 13643	C5815	36648	Nut U5588 M8 for 13643	D0165X
17298	Bushing Fastener C for 13643	B6006	AI225	Connector for 13643	C6005	36651	Sharpener Support Nut for 13643	D0183
16904	Bushing Sharpener for 13643	B6048	74403	Connector Faston 2 Poles Male for 13643	C6010	36661	Carriage Shock Absorber Spacer for 13643	D5762
16905	Bushing DU 16x18x15 for 13643	B6053	77611	P.C.B. Cover Box for 13643	C644680	30459	Stop Cam for 13643	E1406
17304	Bushing DU 25x28x20 for 13643	B6056	AI226	Cover Box for S1006 for 13643	C6447	17342	Cam 15mm for 13643	E1420
17305	Bushing DU 18x20x15 for 13643	B6057	78266	Front Motor Cover for 13643	C6463	17345	Cam Bearing 13655 for 13643	E1458
16906	Bush Sharpening for 13643	B6075	36615	Back Motor Cover for 13643	C6466	77614	Nylon Cable Tie (Diam.45x200) for 13643	F2815
16907	Bush. Sharpening for 13643	B6076	36617	Motor Fan Cover for 13643	C6573	17348	Flange Knife C for 13643	F6034
17307	Bushing Sharp. for 13643	B6083	19534	Housing Sharpener H for 13643	C6807	17351	Locknut for 13643	G5018

PARTS BREAKDOWN

ITEM	MODEL
13643	MS-IT-0350-G

Item No.	Description	Position	Item No.	Description	Position	Item No.	Description	Position
36689	Stainless Steel Locknut M8 for 13643	G5027	19250	Spring 24.8x1.8x15 for 13643	M7071	17426	Assy Honing Stone Pivot for 13643	P3380
36697	Logging Lock Nut for 13643	G5064	19248	Spring 15.6x20x2.2 for 13643	M7120	17427	Assy Grinding Stone & Pin for 13643	P3381
17352	Touch Pad-Start/Stop Push Button for 13643	I1680	78283	Screw for 13643	M7132	23645	Sharpener Pivot for 13643	P3528
16930	Handle C for 13643	I1901A	20263	Motor 120V/60Hz-1 for 13643	M8246	26126	Table C Model for 13643	P4328
17356	Fastener Handle for 13643	I1926	19791	Oiler Oil Cap with Screw for 13643	O4040	19831	Gauge Plate Flat Bar VS for 13643	P4621
19587	Sharpener Knob for 13643	I1957A	17390	Rubber Shock ABS. 16x22x2.5 for 13643	P1019	16960	Support Plate for 13643	P4756
36705	Adjustment Knob for 13643	I1970A	17392	PL.Shock Absorb.8.5x20 for 13643	P1034	36830	Flat Bar C for 13643	P4765
36707	Switch Handle for 13643	I1980	36761	Shock Absorber for 13643	P103401	16961	Foot for 13643	P5008
36708	Assy Index Knob for 13643	I1990A	36762	Rubber Plug for 13643	P1053	78235	End Grip for 13643	P6729
18220	Knob-Handling for 13643	I203576	16955	Shock Absorber for 13643	P1059	17443	End Grip for 13643	P7018
62453	Nylon Gear with Cap for 13643	I2403	17395	Shock Absorber for 13643	P1081	17444	Stud Carriage for 13643	P7431
16938	Switch and Knob for 13643	I3611	17404	Deflector for 13643	P1156	AI228	Stud Motor Cover for 13643	P7437
17369	Switch 4x20 for 13643	I3647	27888	Ring Deflector for 13643	P1165	60424	Touch Pad Screw for 13643	P7447
36723	Switch 4x25 for 13643	I3678	17413	Knife Guard mm.15 with Blade Cover Bolt Keeper 14x14 for 13643	P1554	AI229	Protection Switch Lev.(ETL) for 13643	P7939
72282	Overload Protector for 13643	I3697	77616	Strain Relief for 13643	P2004	78282	Lock Washer for 13643	P8620
AI227	Interr.Bipolare A Levetta 16A for 13643	I3709	17415	Strain Relief for 13643	P2008	24030	Sharpener Operating Handle for 13643	P8625
13599	Blade 350x57x4x280 for 13643	L0623	60421	Electrical Conduit for 13643	P2011	78284	Bracket for 13643	P8626
36733	Magnet 8x10 for 13643	M0803	36778	Wire-Press for 13643	P2014	65640	Oil Receiver for 13643	R1027
21645	G Stone 51x15x14.3 for 13643	M6602	36779	Core-Hitch + Nut for 13643	P2015	19657	Washer 4 for 13643	R6003
21644	F Stone 51x7x14.3 for 13643	M6621	17416	Pin Sharpener 13643/370 for 13643	P3207	19659	Washer 8 for 13643	R6006
36741	Spring 2.9x4x12 Stainless Steel for 13643	M7001	16959	Pin Grinding for 13643	P3225	17454	Washer for 13643	R6204
17377	Spring 8.5x1.0x25 Stainless Steel for 13643	M7013	17419	Pin Truing for 13643	P322601	78258	Washer 30.5x46.5x0.6 for 13643	R6251
17379	Spring 11.9x0.7x27 Stainless Steel for 13643	M7029	17422	Pin Deflector for 13643	P3269	36880	Washer U6592 3 for 13643	R6504
17380	Spring 13.4x1.3x30 Stainless Steel for 13643	M7030	17423	Pivot Hinged Support O10x22 (Pin Grinding Long) for 13643	P3289	17455	Washer U6592 4 for 13643	R6505
19776	Spring 14x1.5x60 for 13643	M7032	78237	Knife Shaft for 13643	P3323	17456	Washer U6592 5 for 13643	R6508
17381	Spring 22 5x1 8x18 for 13643	M7052	23649	Knife Shaft Model C for 13643	P3378	20422	Washer for 13643	R6509

PARTS BREAKDOWN

ITEM	MODEL
13643	MS-IT-0350-G

Item No.	Description	Position	Item No.	Description	Position	Item No.	Description	Position
16967	Washer U65926 for 13643	R6512	19871	Bracket Sharpener for 13643	S8809	37030	Screw M12x16 U5927 for 13643	V6081
17457	Washer U6592 6 Stainless Steel for 13643	R6512X	78236	Bracket Washer C for 13643	S8951A	37031	Screw STEI U5929 M8x16 for 13643	V6083
36884	Washer U6592 8 Stainless Steel for 13643	R6520X	60422	Touch Pad Back Casing for 13643	S9236	37033	Screw TC U6107 M4x8 for 13643	V6206
36885	Washer U6592 10 Stainless Steel for 13643	R6530X	19878	Rubber Cap for 13643	T1002	19697	Screw M5x16 for 13643	V6211
17458	Contact Washer for 13643	R6806	19879	Label for 13643	T1603	19699	Screw M4x25 for 13643	V6231
36889	Washer 10.5x16x1 for 13643	R6816	19880	Label for 13643	T1606	19702	Screw M6x25 for 13643	V6246
16969	Washer 18.2x25x0.5 for 13643	R6840	36985	Label Plate for 13643	T1617A	37042	Screw TCEI U5931 M8x25 for 13643	V6254
17460	Washer 34.2x46x0.5 for 13643	R6846	19883	Label Oil for 13643	T1690	37047	Screw TC AUT.D7971 2.9x13 for 13643	V6276
19674	Washer 44.5x51.5x0.2 for 13643	R6848	77628	Switch Overlay for 13643	T1760	19706	Screw for 13643	V6278
19675	Washer C for 13643	R6863	16978	Blade Cover Fastener Assy C for 13643	T5006	37048	Screw TCTC AUT.D7981 3.5x9.5 for 13643	V6279
36892	Washer 17x30x4 for 13643	R6874	19887	Blade Cover Fastener C for 13643	T5036	77629	Screw TBTC AUT.U6954 4.2x13 for 13643	V6296
36893	Stainless Steel Special Washer 8.5x24x2 for 13643	R6897X	16983	Knife Shaft Assy for 13643	T8027	37054	Screw TBTC AUT.U6954 2.9x9.5 for 13643	V6301
78261	Rotor Stator H.50 for 13643	R8021	36999	Riding Pin (Diam.28) for 13643	T8538	37058	Stainless Steel Screw M4x8 for 13643	V6370
77619	P.C.B. Protection Box for 13643	S100480	79283	Shaft Pin for 13643	T9742	37059	Stainless Steel Screw M4x14 for 13643	V6371
AI230	Electric Box for 13643	S1006	37010	Aluminum Gauge-Plate for 13643	V3078	37061	Screw TE U5739 M8x35 Inox for 13643	V6411X
19680	Ball 3 17 for 13643	S3005	37013	Motor Fan MEC80 148x16 for 13643	V4014	37064	Screw TE U5739 M10x35 for 13643	V6415X
17465	Ball 4.76 for 13643	S3015	37017	Screw STTC U6113 M4x30 for 13643	V6009	37066	Screw TE U5737 M6x15 for 13643	V6421
AP747	Electric P.C. Board 120V/60 for 13643	S3265	17492	Screw STTC U6113 M6x40 for 13643	V6013	37067	Screw TE U5739 M5x20 for 13643	V6423
36908	Track C-CD for 13643	S3815	26127	Stud for 13643	V602115	37078	Stainless Steel Screw TSP U6109 M5x12 for 13643	V7013X
17475	Pin 8x42 for 13643	S7583	37021	Screw for 13643	V6030	17497	Screw TSP U6109 M5x15 Stainless Steel for 13643	V7014X
19867	Pin D10 M6 L26 for 13643	S7594	37023	Screw STEI U5929 M5x5 for 13643	V6065	37080	Stainless Steel Screw M4x40 U6109 for 13643	V702415
17476	Foot Support Pin D.10 M8 L.37 for 13643	S7595	19691	Grub Screw M6x6 for 13643	V6066	17498	Screw TSPEI U5933 M4x10 for 13643	V7043
19870	Stator 120/60 for 13643	S8562	19692	Screw M6x8 for 13643	V6067	37084	Screw TSPEI U5933 M10x30 Stainless for 13643	V7052X
36934	Bracket.Tray C for 13643	S8802	23648	Screw for 13643	V6073	19713	Screw Sharpener for 13643	V7710

PARTS BREAKDOWN

ITEM	MODEL
13643	MS-IT-0350-G

Item No.	Description	Position	Item No.	Description	Position	Item No.	Description	Position
17503	Screw M5x13 for 13643	V7908	19717	Screw M6x50 for 13643	V7917	19920	Screw M8x30 for 13643	V8036
19715	Screw Sharpener for 13643	V7910	19720	Screw M6 for 13643	V7934			
17504	Bar Screw M6x14 Stainless Steel for 13643	V7915	37095	Screw for Rod 6x13 for 13643	V7993A			

WARRANTY REGISTRATION

Thank you for purchasing an Trento product. To register your warranty for this product, complete the information below, tear off the card at the perforation and then send to the address specified below. You can also register online by visiting:

Merci d'avoir acheté un produit Trento. Pour enregistrer votre garantie pour ce produit, complétez les informations ci-dessous, détachez la carte au niveau de la perforation, puis l'envoyer à l'adresse spécifiée ci-dessous. Vous pouvez également vous inscrire en ligne en visitant:

Gracias por comprar un producto Trento usted. Para registrar su garantía para este producto, complete la información a continuación, cortar la tarjeta en la perforación y luego enviarlo a la dirección indicada a continuación. También puede registrarse en línea en:

<https://omcan.com/warranty-registration/>

For mailing in Canada

Pour postale au Canada

Por correo en Canadá

TRENTO

PRODUCT WARRANTY REGISTRATION

3115 Pepper Mill Court,
Mississauga, Ontario
Canada, L5L 4X5

For mailing in the US

Pour diffusion aux États-Unis

Por correo en los EE.UU.

TRENTO

PRODUCT WARRANTY REGISTRATION

4450 Witmer Industrial Estates, Unit 4,
Niagara Falls, New York
USA, 14305

or email to: trentoservice@trentoequipment.com



Purchaser's Information

Name: _____

Address: _____

City: _____ Province or State: _____ Postal or Zip: _____

Country: _____

Dealer from which Purchased: _____

Dealer City: _____ Dealer Province or State: _____

Invoice: _____

Model Name: _____ Model Number: _____

Machine Description: _____

Date of Purchase (MM/DD/YYYY): _____

Would you like to extend the warranty? Yes No

Company Name: _____

Telephone: _____

Email Address: _____

Type of Company:

Restaurant Bakery Deli

Butcher Supermarket Caterer

Institution (*specify*): _____

Other (*specify*): _____

Serial Number: _____

Date of Installation (MM/DD/YYYY): _____

Thank you for choosing Trento | Merci d'avoir choisi Trento | Gracias por elegir Trento

TRENTO

ELEVATING CULINARY EXCELLENCE

TRENTO IS A SIGNATURE LINE OF PROFESSIONAL
RESTAURANT EQUIPMENT FROM OMCAN
OFFERING PREMIUM EUROPEAN BRANDS TO THE
NORTH AMERICAN MARKET.

Thank you for your purchase!



Follow us on social media
@trentoequipment

