

AMERICAN RANGE®

A  Company

Project _____

Item # _____

Quantity _____

GAS CONVECTION OVEN

GAS TYPE: NATURAL LP



M-1HE

M-2HE

STANDARD FEATURES

- Standard depth models 70,000 BTU/hr. total heat output per oven
- All stainless steel front, sides, and top
- 50/50 dependent double door, swings open 135°, one handed operation opens and closes both doors simultaneously
- Comes standard with two glass doors (GG)
- Porcelainized oven interior for easy cleaning
- Five chrome racks with 12 position chrome rack guides
- Holds up to (5) 18" x 26" sheet pans left to right or front to back
- Electronic spark igniter
- 1/2 H.P. two speed oven blower motor with maximum of 9 amp draw. Includes 6 foot power cord
- Oven cool switch for rapid cool down
- Burner "on" light
- 1 hour timer
- Thermostat control from 200°F to 500°F (93°C to 260°C)
- Two year limited warranty, parts, and labor

OPTIONAL FEATURES

- Option to change the doors to: two solid doors (SS), or glass door, left only (GL), or glass door, right only (GR)
- 208/240 V motor and/or transformer
- Direct vent adapter
- Casters
- Seismic feet
- Cooling/storage racks (3 racks with 2 support guides single oven only)



Model Shown M-1HE
(Bakery Depth)

Shown with optional casters.



DESCRIPTION

American Range, model M-1HE single or M-2HE double, standard depth convection oven with 70,000 BTU/hr., temperature range from 200°F to 500°F. A half horsepower fan offers low and high speed fan options for baking and roasting. Porcelainized oven cavity includes 12 position rack guide to accommodate five chrome racks which will hold 18" x 26" sheet pan or 12" x 20" hotel pans one per rack. The oven includes a 1 hour timer and a cool down mode. Stainless steel doors with a glass window or a solid door swing 135° for easy one handed operation.



DESIGNED & BUILT IN USA
PROFESSIONAL COOKING EQUIPMENT

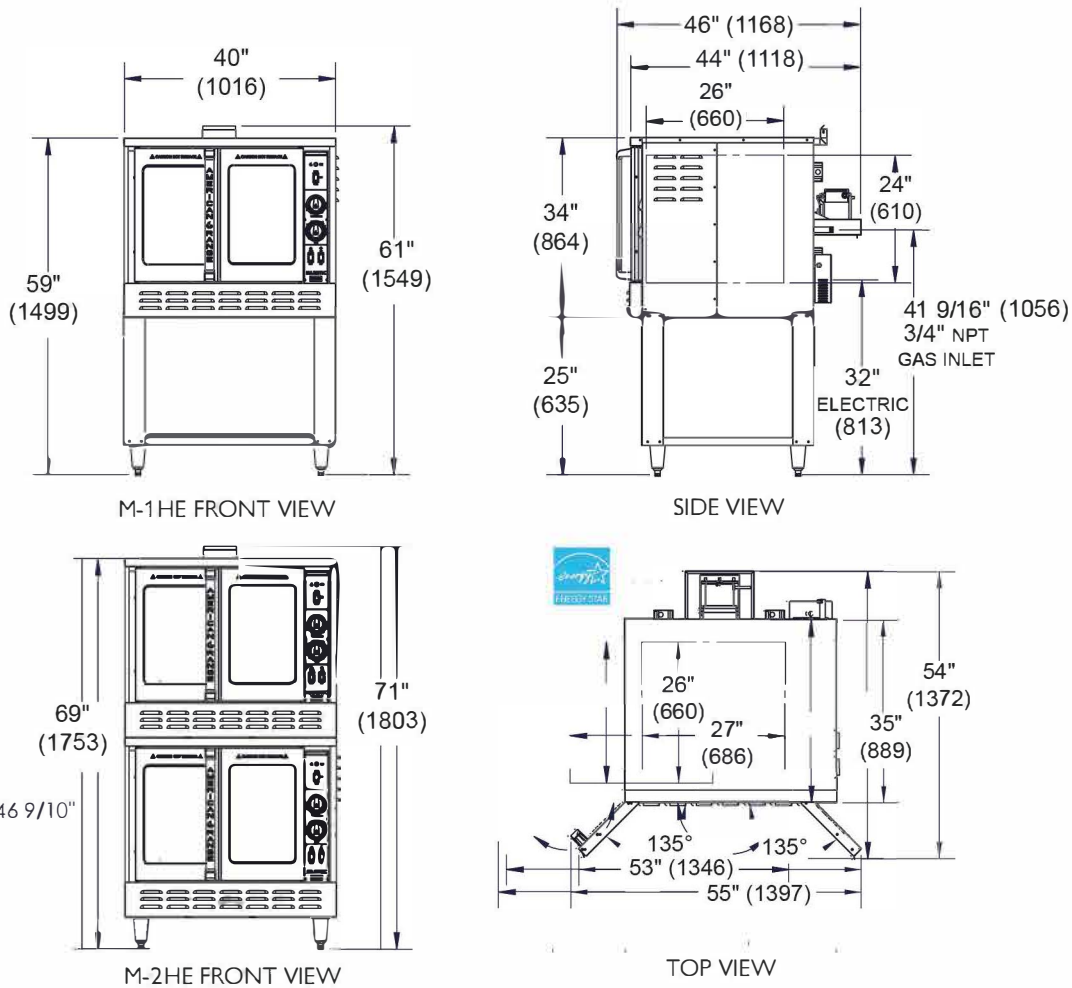
A----- RevA 07292024

AMERICAN RANGE®

A  Company

13592 Desmond St Pacoima CA 91331
T. 818.897.0808 Toll Free: 888.753.9898
www.AmericanRange.com

MAJESTIC GAS BAKERY DEPTH CONVECTION OVEN



MODEL	WIDTH (MM)	DEPTH (MM)	HEIGHT (MM)	BTU	(KW)	LBS	(KG)
M-1HE	40" (1016)	46" (1168)	61" (1549)	70,000	(21)	640	(290)
M-2HE	40" (1016)	46" (1168)	71" (1803)	140,000	(41)	1280	(581)

Ship Weight*

Add two letter code to model number for door preference
 Door options: GG- Two glass doors, GR- Glass door, right GL- Glass door, left

Installation Instructions:

Ovens must be installed in accordance with local codes or in their absence with the

1. National Fuel Gas Code: ANSI Z223.1; CAN/CGA-B149.1 Natural Fuel and Propane Installation Code, as applicable. Compliance with codes is the responsibility of the Owner and Installer.
2. An adequate ventilation system is required. Refer to National Fire Protection Association Standard No. 96, Standard for Ventilation Control and Fire Protection of Commercial Cooking Operations
3. This appliance is intended for commercial use. NOT intended for Residential Use.
4. Specify installation elevation if above 2000 feet (610m)
5. Please specify gas type when ordering
6. GAS INLET SIZE (All Models): One 3/4" NPT gas connections provided at rear; One 3/4" NPT gas pressure regulators are provided and must be installed (by others) when unit is connected to gas supply.
7. COMBUSTIBLE WALL CLEARANCES:
 For use only on non-combustible floors. Legs or casters are required, or 2" (51) overhang is required when curb mounted. Clearance from non-combustible walls is 0". When unit is placed next to combustible walls, clearances must exceed 12" (305) from sides, and 4" (102) from rear.

CONVECTION OVEN ELECTRICAL		
VOLTAGE	PHASE	AMPS
120	1	4

MANIFOLD PRESSURE		
NATURAL GAS	PROPANE GAS	MANIFOLD SIZE
5.0" W.C.	10.0" W.C.	3/4" (19MM)

NMFFCODE: 25970-2 Class: 85

*Shipping weight includes packaging and is approximate.

15 amps three prong cord provided



13592 Desmond St Pacoima CA 91331
 T. 818.897.0808 Toll Free: 888.753.9898
 www.AmericanRange.com

A----- RevA07292024