



U-Star's Glass Merchandiser Refrigerators are a great way to display cold drinks, food and any other grab n' go items that are sold in your establishment. These units are perfect for convenience stores, delis, markets and so much more. With their anti-fogging glass and illuminated interior, the products inside will always be highly visible to your shoppers. The self-closing doors ensure the internal temperature stays at the desired temperature no matter how many times they are being opened. These units come standard with plastic-coated steel shelves that are easily adjustable, and a front-mounted LED temperature display. These models are ETL Listed and ETL Sanitation. They are backed with a 1 year warranty on parts and labor and a 5 year warranty on the compressor.

Product Features

- Coated steel exterior
- Painted aluminum interior with stainless steel floor
- Environmentally-friendly R290 refrigerant
- Self closing door
- Foamed-in-place polyurethane high density cell insulation throughout the entire cabinet
- Illuminated bright interior lights for greater visibility
- Front-mounted LED temperature display
- Removable door gasket for easy cleaning



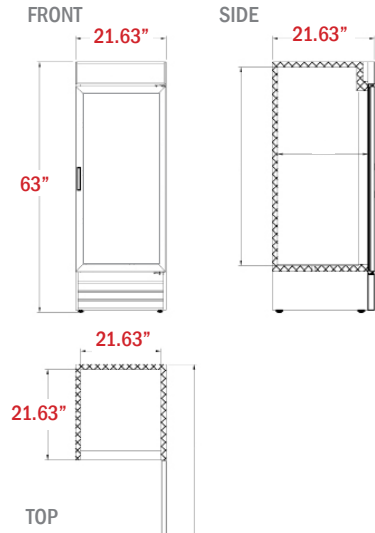
Specifications



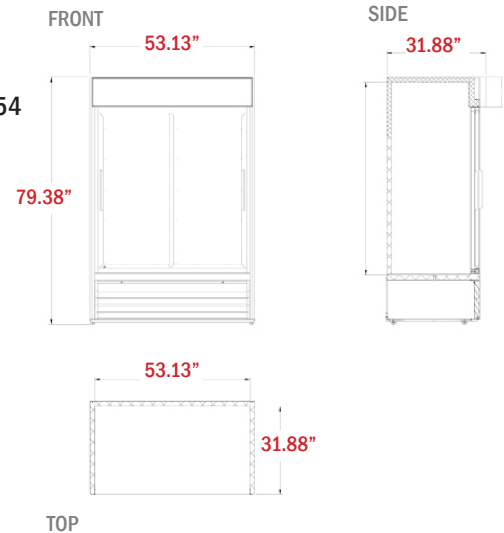
Model Number	USRFS-1D/22	USRFS-1D/25	USRFS-2D/54	USRFS-3D/79
Color	Black	Black	Black	Black
Doors	1	1	2	3
Net Volume Cu. Ft.	9.1 Cu. Ft	14 Cu. Ft	45 Cu. Ft	53 Cu. Ft
Shelves	4	4	8	12
Overall Dimensions (in)	21.63" x 21.63" x 63"	25.6" x 22.8" x 79.38"	53.13" x 31.88" x 79.38"	78.38" x 30" x 80.75"
Refrigerant	R290	R290	R290	R290
Horsepower	1/5	1/5	1/4+	3/4
Voltage/Hertz/Amps	115/60/1	115/60/1	115/60/1	115/60/1
Amps	2.88	2.88	4.3	10.7

Plan Views

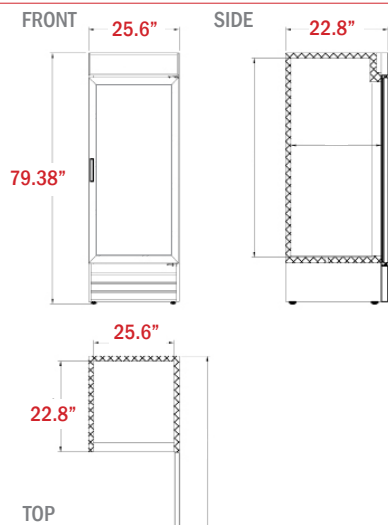
USRFS-1D/22



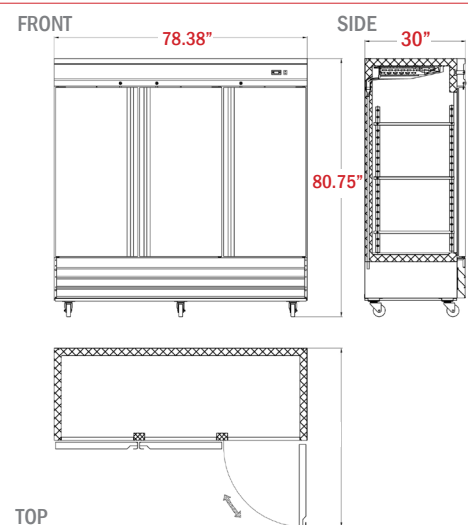
USRFS-2D/54



USRFS-1D/25



USRFS-3D/79



Features

Refrigeration System

- Environmentally-friendly R290 refrigerant
- Bottom-mounted cooling unit slides out for easy cleaning and maintenance, and allows for extra storage on top of unit
- Maintains temperature range of 32° - 41° F
- Rugged built axial evaporator fans run efficiently, with low velocity and high volume air flow

Electrical Control

- Front LED temperature display for easy viewing of internal temperature
- Temperature controller initiates automatic defrost schedule for worry free use
- 7-foot power cord with NEMA 5-15 plug



Cabinet Construction

- Black-coated steel exterior for a sleek appearance
- Painted aluminum interior allows for easy cleaning
- Insulated throughout with foamed-in-place high density cell polyurethane insulation

Door(s)

- Large glass doors that provide high visibility with anti-fogging.
- Positive self-closing doors with microswitch that shuts the evaporator fans off when the door is open
- Self-closing doors keep the cold air in and keeps internal temperature constant
- Removable door gasket for easy cleaning

Shelving

- Adjustable plastic-coated steel shelves that have a load capacity of up to 90 lbs per shelf

Model Features

- Interior lighting provides greater visibility for merchandising
- Colorful, lighted graphics on top of the unit helps to draw in customers