



16 GAUGE STAINLESS STEEL

TWO STATION FLOOR MOUNTED SQUARE CORNER SINK WITH TUBULAR LEGS & CROSS BRACING

KNEE OPERATED



Knee Valves Included On All "KV" Models

Item #:	Qty #:
Model #:	
Project #:	



FEATURES:

- 8 1/2" high backsplash.
- 8" sink bowl depth.
- Two stainless steel "Z" brackets.
- One **K-6** 3 1/2" rear basket drain.
- Tubular stainless steel legs with flanged feet.
- Side & rear adjustable cross-bracing with leg clamps.
- Knee Operated:** Includes two **7-PS-32** knee valves and two **K-121** spouts.

CONSTRUCTION:

- All TIG welded.
- Welded areas blended to match adjacent surfaces and to a satin finish.

MATERIAL:

- All 16 Gauge type "304" stainless steel.
- 1 5/8" tubular "304" stainless steel legs & cross-bracing.
- Stainless steel gussets.

MECHANICAL:

- Single faucet hole punched at each station.

Model #	Length	# of Faucets	# of Knee Pedals	Wt.	Cu. Ft.
19-FM-40KV	40"	2	2	70 lbs.	15

[Click Here For Install Guide](#) 

MULTI-STATION ACCESSORIES & REPLACEMENT PARTS

Model	Description	QTY:
 7-PS-32	Knee Valve Assembly	_____
 K-6	3 1/2" Drain (1 1/2" I.P.S.)	_____
 K-06	Splash Mount Faucet Mounting Kit	_____
 K-13	Stainless Steel Soap Dispenser (Wall Mount Only)	_____
 K-121	Single Hole, Splash Mounted 3-1/2" Gooseneck Spout	_____
 K-410	Strainer Plate for 3-1/2" Drain	_____
 K-508	Special Sizing Charge (Larger Size Cut Down To Smaller Size)	_____
 TA-19	Adjustable Stainless Steel Flanged Bullet Foot	_____



 = Ships UPS

Standard Faucets conform to NSF 61 Standard 9 and compliance to AB 1953 Standards.

WARNING: Equipment that include faucets on this page may contain a chemical known to the State of California to cause cancer, birth defects or other reproductive harm.



Customer Service Available To Assist You **1-800-645-3166** 8:30 am - 7:00 pm E.S.T.

For Orders & Customer Service:
Email: customer@advancetabco.com or Fax: 631-242-6900

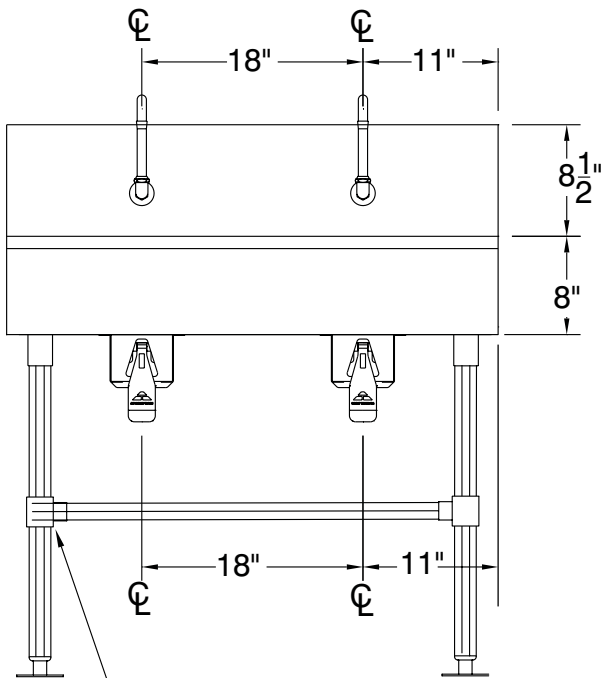
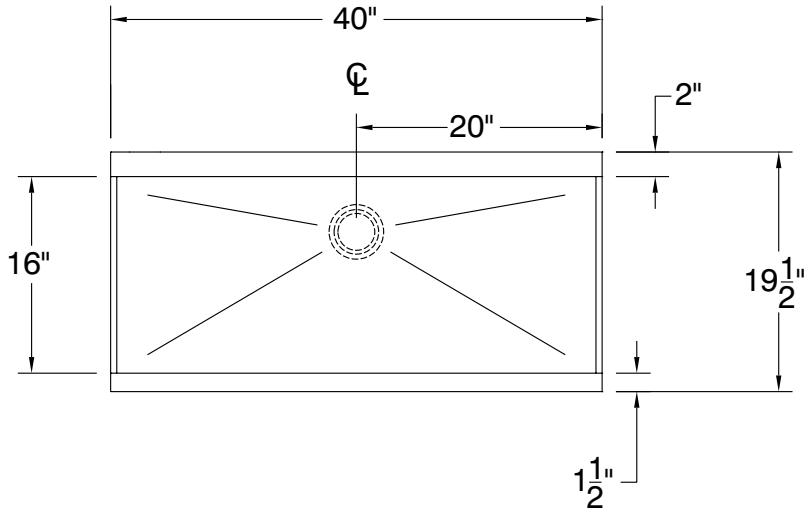
For Smart Fabrication™ Quotes:
Email: smartfab@advancetabco.com or Fax: 631-586-2933

DETAILS and SPECIFICATIONS

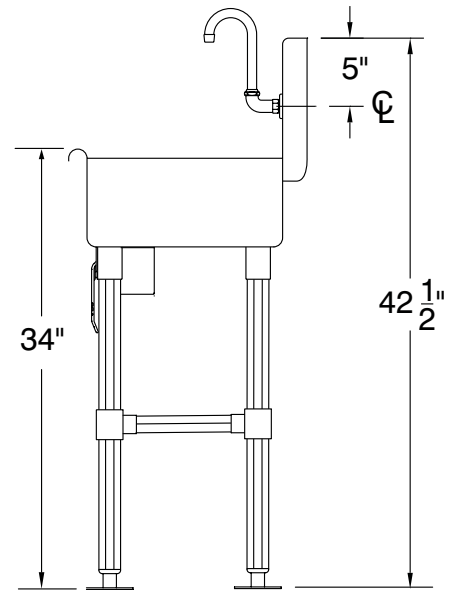
TOL ± .500"

ALL DIMENSIONS ARE TYPICAL

19-FM-40KV



Stainless Steel Rear & Sides
Adjustable Cross-Bracing



70 Lbs.



REF-JJ

325 Wireless Boulevard, Hauppauge, NY 11788

ADVANCE TABCO is constantly engaged in a program of improving our products. Therefore, we reserve the right to change specifications without prior notice.

© ADVANCE TABCO, DECEMBER 2024