

High Powered Volume Driver

HIGH VOLUME

40 🍊 MIN.

Our robust juicer for staff-operation, pre-portioning, and commissary strategies: Ideal for freshly squeezed into bottles or cups.

- POWERFUL RETURNS:** Staff-operation at 40 fruit/minute. Convenient juice tank for high-volume juicing and pre-bottling.
- SUPERIOR TASTE:** Patented SCS Up&Down dynamic knife delivers precise fruit cuts, reduces peel oil, and yields sweeter-tasting juice.
- MAXIMIZED HYGIENE:** 304 food-grade stainless steel ensures food safety. Dishwasher-safe Double Cover and juicing parts maximize hygiene.
- EFFICIENT OPERATION:** One single Cross Holder secures all juicing elements and speeds up disassembly and cleaning.
- UNMATCHED DURABILITY:** Robust materials and design. Complete triple-sealed separation of juicing and motor zone for durability and longer machine life.
- SMART TECHNOLOGY:** Multi-functional digital display with fruit counter, intelligent stop, and more.
- LUCRATIVE RETURNS:** Stainless-steel rolling cabinet available for longer uninterrupted juicing and added mobility. Optional pressing kits so you can offer greater juice variety: lemon, lime, tangerine, orange, and grapefruit all from one single juicer.



8000XB

Fruit per minute

40 pieces

Fruit supply basket capacity

46 lb

Fruit type

Citrus fruit

Fruit size, Standard Pressing Kit (incl.)

2.55-3.14 in / 100 to 138 count

Fruit size, Small Pressing Kit (optional)

1.96-2.55 in / 140 to 200 count

Fruit size, Large Pressing Kit (optional)

3.15-3.50 in / 64 to 95 count

Juicing modes

**Continuous / Programmed / Manual
release tap and juice tank**

Installation

Free-standing / Countertop kit /

Stainless-steel cabinet (recommended)

Net weight: Juicer / Juicer on Cabinet

159 lb / 246 lb

Power Supply

120 V / 60 Hz

Power

200 W / 0.2 kW

Fuse / Protection

6.3 A / IPx1

Warranty

Limited 2-year

Certifications



Parts and Support

(407) 790 7862

www.citrusamerica.com

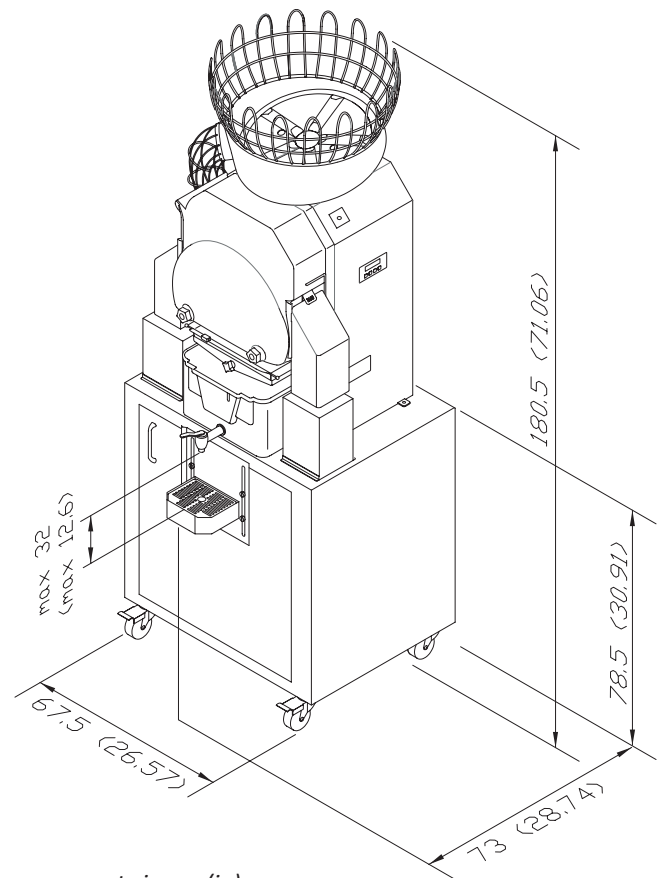
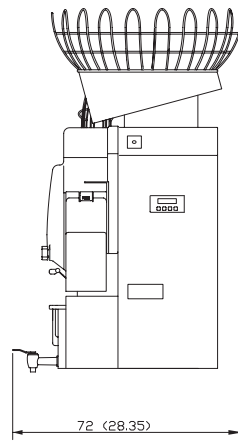
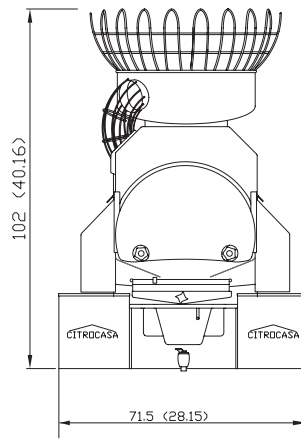
www.juicertraining.com

Additional Information



HIGH VOLUME CITRUS JUICER

40  **MIN.**



Measurements in cm (in)



2-ZONE-TECHNOLOGY:

Complete separation of *motor zone* and *juicing zone* with stainless-steel Double Cover for improved hygiene and cleaning efficiency.

OPTIONAL ACCESSORIES:

- | Small Pressing Kit for small citrus: lemons, limes, tangerines
- | Large Pressing Kit for large citrus: large oranges, grapefruit
- | Counter-Installation Kit | Rolling Stainless-Steel Cabinet



Small Pressing Kit for lemons/limes



Large Pressing Kit for grapefruit

NSF International

789 N. Dixboro Road, Ann Arbor, MI 48105 USA

RECOGNIZES

Citrocasa GmbH

Austria

AS COMPLYING WITH NSF/ANSI 8, 169 AND ALL APPLICABLE REQUIREMENTS.
PRODUCTS APPEARING IN THE NSF OFFICIAL LISTING ARE
AUTHORIZED TO BEAR THE NSF MARK.



ISO/IEC 17065
Product Certification Body
#0216

Certification Program
Accredited by the
American National
Standards Institute



Certification Program
Accredited by the
Standards Council
of Canada

This certificate is the property of NSF International and must be returned upon request. This certificate remains valid as long as this client has products in NSF's Official Listings for the referenced standards. For the most current and complete Listing information, please access NSF's website (www.nsf.org).

A handwritten signature in black ink, appearing to read "S Krol", is written over a horizontal line.

July 17, 2019

Certificate# C0034229 - 04

Sarah Krol

Global Managing Director, Food Safety Product Certification



OFFICIAL LISTING

NSF certifies that the products appearing on this Listing conform to the requirements of NSF/ANSI 8 - Commercial Powered Food Preparation Equipment

This is the Official Listing recorded on September 28, 2020.

**Citrocasa GmbH
Industriezeile 47
Linz A-4017
Austria
43 732 750173**

Facility: Qidong, Jiangsu, China

Citrus Juicer 6000 Range

6000 XB 6000 XB-AS

Citrus Juicer 7000 Range

7000 SB 7000 SBCL 7000 XB

Citrus Juicer 8000 Range^[1]

8000 Connect 8000 eXpress 8000 SB 8000 SB Advance

8000 SB-ATS Advance 8000 SBCL 8000 XB 8000 XB Advance

Citrus Juicer Revolution

Revolution Revolution Advance

Orange Juicer for Commercial Use - Fantastic Range^[1]

Fantastic Connect Fantastic eXpress

Fantastic F / Digi Fantastic F / SB

Fantastic F/Digi ADV Fantastic F/Digi-ATS Advance

Fantastic F/SB ADV Fantastic F/SB-ATS Advance

Fantastic iMpress Fantastic M/AS

Fantastic M/AS ADV Fantastic M/SB

Fantastic M/SB ADV

[1] A selection of models are available with the following accessories: lemon kit, large pressing unit.

Note: Additions shall not be made to this document without prior evaluation and acceptance by NSF.



America

CERTIFICATE

No. U8U 067352 0027 Rev. 03

Holder of Certificate: Citrocasa GmbH
Industriezeile 47
4020 Linz
AUSTRIA

Certification Mark:



Product: Citrus juicer
Commercial Orange Juicer

This product was voluntarily tested to the relevant safety requirements referenced on this certificate. It can be marked with the certification mark above. The mark must not be altered in any way. This product certification system operated by TÜV SÜD America Inc. most closely resembles system 3 as defined in ISO/IEC 17067. Certification is based on the TÜV SÜD "Testing and Certification Regulations". TÜV SÜD America Inc. is an OSHA recognized NRTL and a Standards Council of Canada accredited Certification body.

Test report no.: 704010955002-07

Date, 2020-11-17

(Mingmin Fan)



America

CERTIFICATE

No. U8U 067352 0027 Rev. 03

Model(s): 8000SB, 7000SB, 8000SB Advance, 8000XB Advance, 8000SB-ATS Advance, Fantastic M/SB Advance, Fantastic M/AS Advance, Fantastic F/SB Advance, Fantastic F/Digi Advance, Fantastic F/Digi-ATS Advance, Fantastic F/SB-ATS Advance, 8000SB-ATS Connect, 8000SB-ATS, 8000SB-ATS POM, 8000 Connect, 8000 eXpress, Fantastic Connect, Fantastic eXpress, Fantastic iMpress

Tested according to: UL 763:2018

Production Facility(ies): 074146

Parameters:
 Rated voltage: 115VAC-120VAC
 Rated frequency: 60Hz
 Rated input power: 280W, 150W, 280W, 280W, 280W, 200W, 200W, 200W, 200W, 200W, 200W, 280W, 280W, 280W, 280W, 280W, 200W, 200W, 200W
Protection class: I
Degree of protection: IPX1

Dr. Ralph DerraÖffentlich bestellter und vereidigter Sachverständiger für
Verpackungsmaterialien, Boden- und Luftanalysen;
Sachverständiger in der Wasseranalytik

15 December 2021

Dr. Dr/Be-pf

**UNBEDENKLICHKEITSERKLÄRUNG
CERTIFICATE OF COMPLIANCE
CERTIFICAT DE CONFORMITE**eingetragen
registered no.
registré

56079 U 21

für
for
pourCitrocasa GmbH
Industriezeile 47
4020 Linz
AustriaProdukt
Product
Produit

Orange juicer

Citrocasa 6000
Citrocasa 7000
Citrocasa 8000 series
Citrocasa Fantastic series

The orange juicers manufactured by the company mentioned above are used for the preparation of orange juice.

They were examined by us according to the

Methoden zur Untersuchung von Kunststoffen, soweit sie als Bedarfsgegenstände im Sinne des Lebensmittel- und Bedarfsgegenständegesetzes verwendet werden, einschließlich der 62. Mitteilung des BfR zur Untersuchung von Hochpolymeren, Bundesgesundheitsblatt 50, 524 (2007), Stand vom April 2007,

(Methods for testing plastics as far as they are used as consumer goods as defined by the Foodstuffs and Consumer Goods Act, including the 62nd memorandum of the BfR on the examination of high polymers, Bundesgesundheitsblatt 50, 524 (2007), state of April 2007),

for the composition as well as for the release of substances which might endanger health as well as to the

Series of standards EN 1186, EN 13130 and CEN/TS 14234 "Materials and Articles in Contact with Foodstuffs – Plastics", current state,

for the migration behaviour.

The orange juicers are in compliance with the rules of the

Regulation (EC) No 1935/2004 of the European Parliament and of the Council of 27 October 2004 on materials and articles intended to come into contact with food and repealing Directives 80/590/EEC and 89/109/EEC, Official Journal of the European Union L 338/4 of 13.11.2004, modified by app. no. 5.17 of the regulation (EC) No 596/2009 of 18 June 2009, Official Journal of the European Union L 188 of 18 July 2009, article 3, 1. (a) and (b),

as well as of the

Lebensmittel-, Bedarfsgegenstände- und Futtermittelgesetzbuch (Lebensmittel- und Futtermittelgesetzbuch - LFGB) in der Fassung der Bekanntmachung vom 15. September 2021 (BGBl. I S. 4253), zuletzt geändert durch Artikel 7 des Gesetzes vom 27. September 2021 (BGBl. I S. 4530), §§ 30 und 31,

(Foodstuffs, Consumer Goods and Animal Feed Code (Foodstuffs and Animal Feed Code - LFGB) in the version of the notification of 15 September 2021 (BGBl. I p. 4253), last amendment by article 7 of the law of 27 September 2021 (BGBl. I p. 4530), §§ 30 and 31),

and meet the demands of the

Commission Regulation (EU) No 10/2011 of 14 January 2011 on plastic materials and articles intended to come into contact with food, Official Journal of the European Union L 12/1 of 15 January 2011, last amendment by Commission Regulation (EU) 2020/1245 of 2 September 2020, Official Journal of the European Union L 288/1 of 3 September 2020,

with regard to the migration behaviour in case of application.

Thus, the orange juicers **Citrocasa 6000**, **Citrocasa 7000**, **Citrocasa 8000 series** and **Citrocasa Fantastic series** according to the sample device submitted may be used safely for the intended purpose.

This certificate of compliance represents the latest technical standard and is based on the certificate of compliance no. 35981 U 13 of 25 July in connection with a completely new examination of the products.

This certificate of compliance has a validity of 2 years and consists of 3 pages.

Certification decision



staatlich anerkannter Sachverständiger
zur Untersuchung der Gegenproben von
Verpackungsmitteln aus Papier, Papp
Kunststoffen, Glas, Weißblech und
sonstigen Metallverpackungen auf ihre
gesamtheitliche Unbedenklichkeit


(Behrendt)
Officially certified
and authorized food
chemist

The translation of the above stamps is given on page 3.
La traduction des estampilles est donnée en page 3.



Staatlich anerkannter Sachverständiger zur Untersuchung der Gegenproben von Verpackungsmitteln aus Papier, Pappe, Kunststoffen, Glas, Weißblech und sonstigen Metallverpackungen auf ihre lebensmittelrechtliche Unbedenklichkeit

Dr. Ralph Derra

Authorized expert for the analyses of packaging materials, attested by the Aschaffenburg Chamber of Industry and Commerce.

Expert autorisé pour l'analyse des matériaux d'emballage, assermenté par la Chambre d'Industrie et de Commerce d'Aschaffenburg.

State registered expert for the analysis of contrasting samples of packaging materials of paper, board, plastics, glass, tin plate and other metallic packaging materials as to their suitability for use with foodstuffs.

Expert public pour l'étude du contrôle des contre-échantillons d'emballages de papier, cartons, plastiques, verre, fer-blanc et d'autres emballages métalliques concernant leur conformité alimentaire.



Dr. Ralph Derra

Authorized expert for the analyses of soil and air, attested by the Aschaffenburg Chamber of Industry and Commerce.

Expert autorisé pour l'analyse du sol et de l'air, assermenté par la Chambre d'Industrie et de Commerce d'Aschaffenburg.

Die Rücklagen des untersuchten Materials werden bei der Gutachterstelle verwahrt.
Dieses Dokument ist eine Übersetzung einer deutschen Originalversion. In Streitfällen ist das Originaldokument die rechtlich bindende Version.
A file sample of the tested material is kept at the expert's office.
This document is a translation of an original in German. In case of dispute, the original document should be taken as authoritative.