



REVERSIBLE DOUGH SHEETER



Reversible Dough Sheeter, Floor Model, 20 Speeds, 19 11/16" Stainless Steel Rollers, Adjustable Roller Gap (1-40mm), Enamel Coating, 1 HP, CE & ETL Listed



PROJECT _____
 ITEM NO. _____
 NOTES _____
 MODEL NUMBER: LMA620 , LMA624 , LMA630



FEATURES

- 20 Adjustable Speeds
- Fold Up Belts for Easy Storage
- Removable Arms
- Synchronized Belt System
- Adjustable Thickness from 1/32" - 1 1/2" (1 - 40 mm)
- Control Belt by Either Dual Hand or Foot Controls
- Emergency Stop
- 30 lb. Dough Capacity
- Thermal Overload Protection on Motor
- Easy to Remove & Adjust Scrapers
- Protective Guards with Motor Shut-Off Feature

CONSTRUCTION

- Polyurethane Belts
- Stainless Steel Rollers
- Stainless Steel Catch Pans (each side)
- Plastic Food Grade Reservoir (above rollers)
- Low Profile Casters for Mobility
- [2] Polyurethane Rolling Pins

OPTIONS & ACCESSORIES

- Stainless Steel Construction (Suffix I)
- Croissant Cutter for LMA630
 - For (3) 6 1/2" Wide Croissants (CPL001 & RCM001)
 - For (4) 5" Wide Croissants (CPL002 & RCM001)

CLEARANCES

- 6" (152mm) - All Sides (do not place anything below belt)

WARRANTY

- One Year Labor & Two Year Parts



Model	Crated Weight	Overall Dimensions			Conveyor Dimensions		Electrical System		NEMA
		W	D	H	D	W	Volts	Amps	
LMA620	700 (318)	91.25" (2318)	39.48" (1003)	45.74" (1162)	22.83" (580)	78.74" (1000 x 2)	120	8.3	5-15P
LMA624	815 (370)	107" (2718)	39.48" (1003)	45.74" (1162)	22.83" (580)	94.48" (1200 x 2)	120	8.3	5-15P
LMA630	900 (409)	130.74" (3321)	39.48" (1003)	45.74" (1162)	22.83" (580)	118.11" (1500 x 2)	120	8.3	5-15P





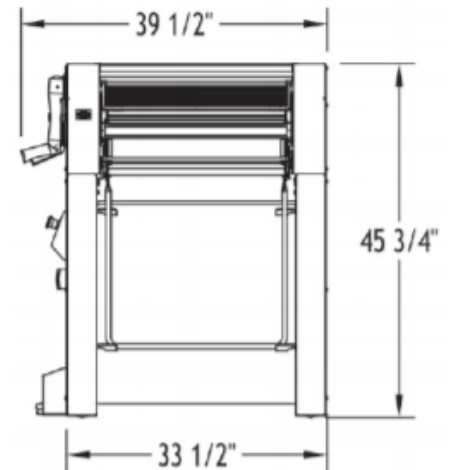
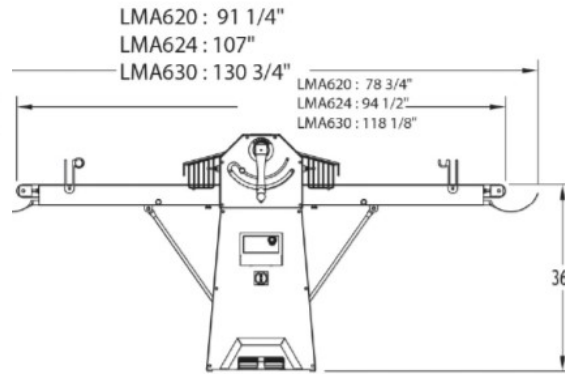
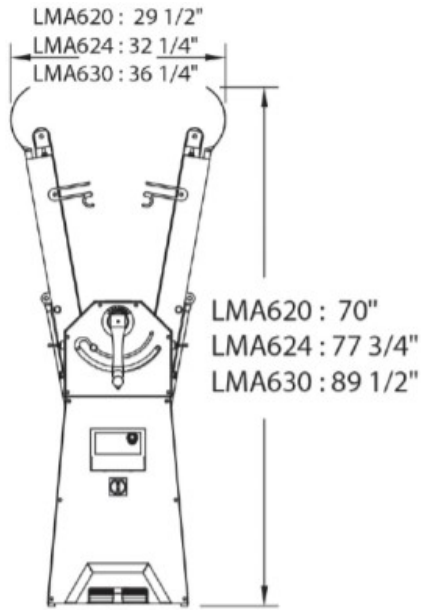
PROJECT _____

ITEM NO. _____

NOTES _____

MODEL NUMBER: LMA 620 , LMA 624 , LMA 630

DRAWINGS



NEMA 5-15 PLUG

