

Undercounter Refrigerators

- Casters included (2 locking) for easy mobility
- Convenient undercounter refrigeration designed to keep food fresh
- Available in a variety of sizes



UCRE552-SS61A



UCRE570-SS61A



UCRE588-SS61A

Model	Description	Voltage/Hz/Phase/Amps	Shipping Weight
UCRE552-SS61A	2 Door Undercounter Refrigerator	115 / 60 / 1 / 5	353 lb
UCRE570-SS61A	3 Door Undercounter Refrigerator	115 / 60 / 1 / 5	507 lb
UCRE588-SS61A	4 Door Undercounter Refrigerator	115 / 60 / 1 / 5	551 lb

Specifications

UCRE552-SS61A dimensions: 35" H x 57 ¹⁵/₃₂" W x 27 ⁹/₁₆" D

UCRE570-SS61A dimensions: 35" H x 76 ³⁷/₆₄" W x 27 ⁹/₁₆" D

UCRE588-SS61A dimensions: 35" H x 95 ⁴³/₆₄" W x 27 ⁹/₁₆" D

UCRE552-SS61A: volume of 9.88 cu ft, 2 epoxy coated shelves

UCRE570-SS61A: volume of 15.57 cu ft, 3 epoxy coated shelves

UCRE588-SS61A: volume of 21.2 cu ft, 4 epoxy coated shelves

AISI 304 stainless steel interior and exterior

Autodefrost

CFC-free high density polyurethane insulated cabinet

Electronic Control

Environmentally friendly R449a refrigerant: UCRE552-SS61A: 41.1 oz (0.400 kg) / UCRE570-SS61A: 17.5 oz (0.500 kg) / UCRE588-SS61A: 17.5 oz (0.500 kg)

Epoxy coated, sealed evaporator eliminates potential corrosion

Factory pre-wired for dedicated outlet, 11 ft cord and plug included NEMA 5-15P

Max weight per shelf: 66 lb

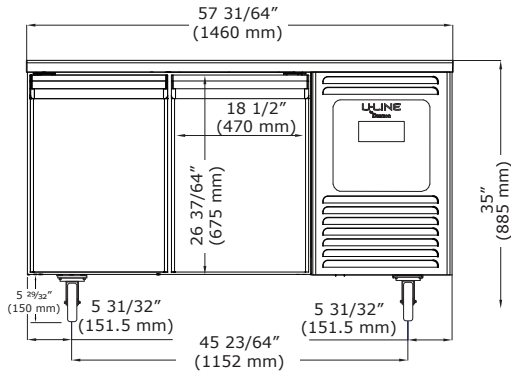
NSF/ANSI Standard 7 compliant

Temperature range: 28°F to 46°F

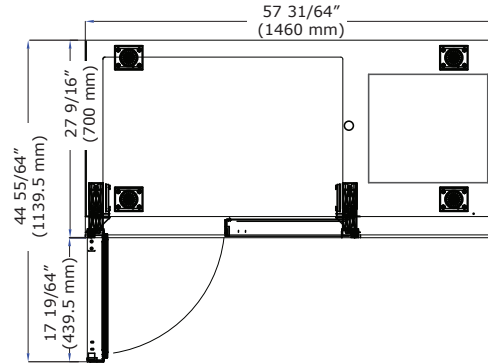


Product Specifications • Undercounter Refrigerators

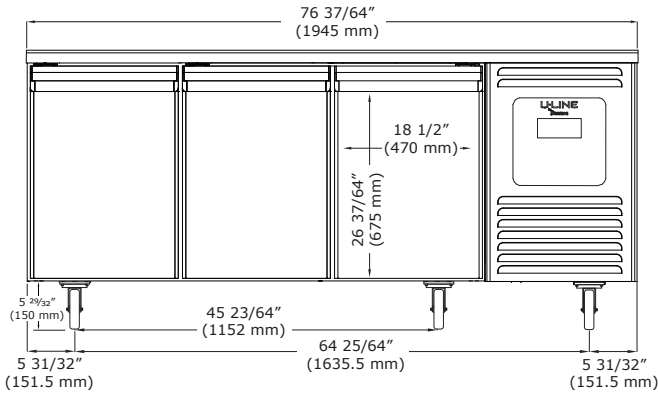
Front (UCRE552-SS61A)



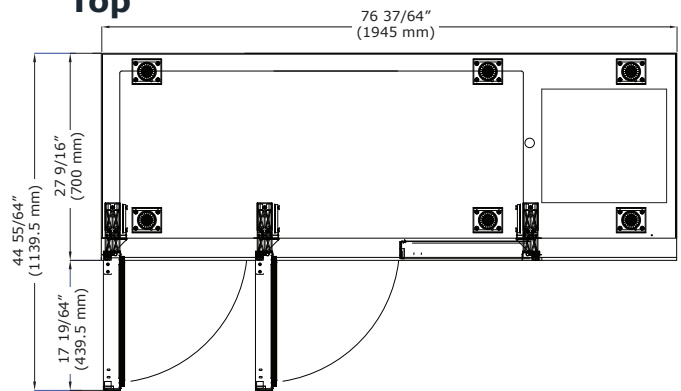
Top



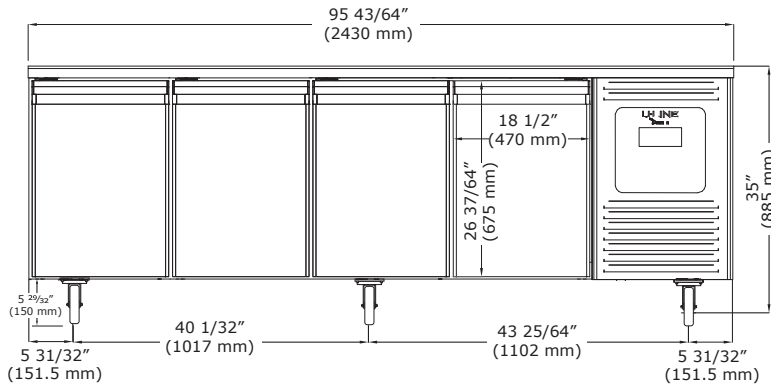
Front (UCRE570-SS61A)



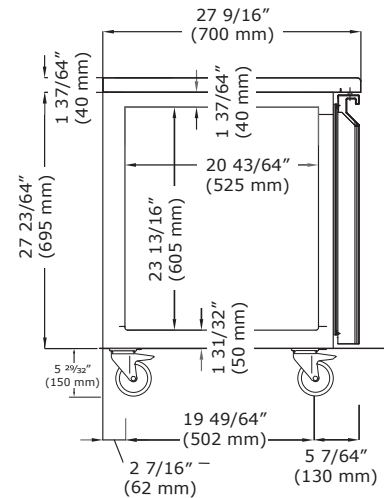
Top



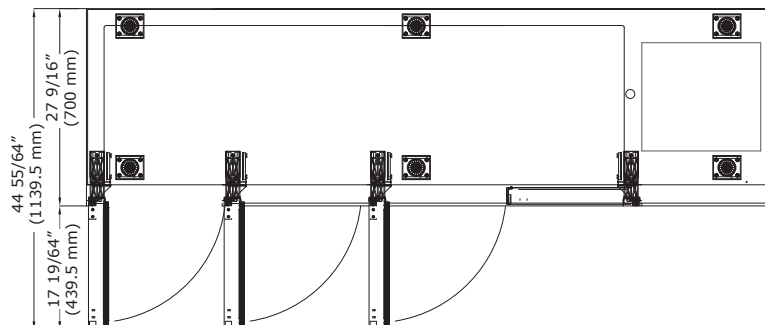
Front (UCRE588-SS61A)



Side (all models)



Top



Commercial Warranty

3 Year (parts & labor) / 5 year sealed system (parts)
See complete warranty for details