

## FLR SERIES

### Ice Cream Topping Centers

#### MODELS

- FLR-60  
 FLR-80



**FLR-60**

Note: Pumps, jars and spoons are not included in the base models.

**FLR-80**



#### FEATURES

##### CONSTRUCTION

- 20 gauge seamless stainless steel top
- 24 gauge painted steel exterior
- Galvanized steel inner liner
- Anti-condensate heaters under stainless top cap
- 2-1/4" foamed-in-place "zero ODP" urethane insulation
- Equipped with leveling legs to correct for unlevel flooring situations
- Floor drain with standard garden hose fitting

##### LIDS

- Stainless steel
- Hinged with handles
- Heavy-duty replaceable gasket

##### REFRIGERATION

- Refrigerant: R290
- Self-contained, slide-out, factory tested refrigeration system
- Cold wall evaporator
- Forced draft hermetic condensing unit
- Minimum 4" clearance required between cabinet back and wall
- Temperature range: 10° to -10°F (-12° to -23°C)
- R-factor (insulation efficiency rating): 19.40

##### WARRANTY

- Standard limited two year parts and labor
- Additional three year coverage on compressor part

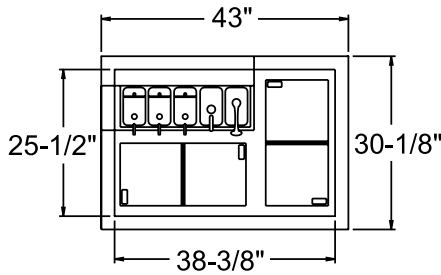
#### OPTIONS

- Add suffix "SE" for all stainless exterior
- Pumps and jar assemblies
- Lid locking kit (less lock)
- Casters
- Legs
- Individual pumps, jars, hinged jar lids and ladles
- Dipper well

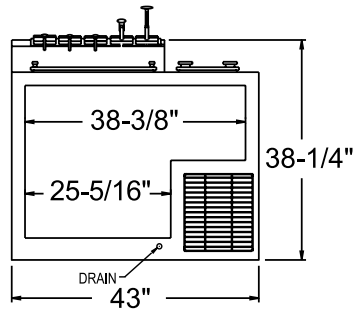
**TECHNICAL SPECIFICATIONS**

Models	FLR-60	FLR-80
Crated Weight (lbs) (kg)	300 (136)	340 (153)
Crated Height (in) (mm)	46 (1168)	46 (1168)
Crated Width (in) (mm)	57 (1448)	68-1/2 (1740)
Crated Depth (in) (mm)	40 (1016)	40 (1016)
Interior Height (in) (mm)	27 (686)	27 (686)
Interior Display Width (in) (mm)	38-3/8 (975)	49-3/8 (1254)
Interior Storage Width (in) (mm)	25-5/16 (643)	36-3/8 (924)
Interior Depth (in) (mm)	25-1/2 (648)	25-1/2 (648)
Overall Height (in) (mm)	38-1/4 (972)	38-1/4 (972)
Overall Width (in) (mm)	43 (1092)	54 (1372)
Overall Depth (in) (mm)	30-1/8 (765)	30-1/8 (765)
Gross Cubage (CuFt) (L)	12.5 (354)	16.8 (475)
Can Capacity Display *	5	6
Can Capacity Storage *	7	11
Condensing Unit Size	1/4 HP	1/3 HP
Refrigerant	R290	R290
Electrical Characteristics	115/60/1	115/60/1
NEMA Plug Configuration	5-15P	5-15P
Total Amp Draw	3.2	3.6

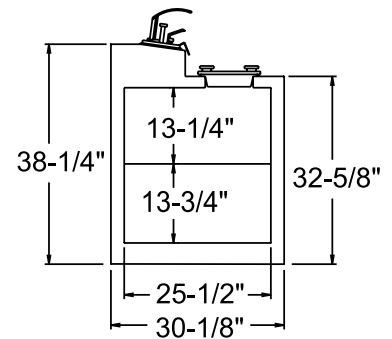
\*Can capacities in 9-1/2" diameter, 3 gallon cans



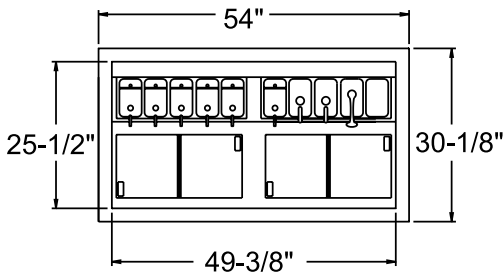
**FLR-60 PLAN VIEW**



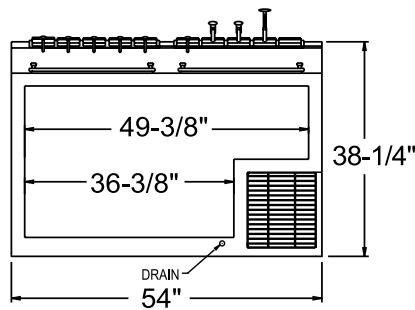
**FLR-60 ELEVATION VIEW**



**SIDE VIEW  
BOTH MODELS**



**FLR-80 PLAN VIEW**



**FLR-80 ELEVATION VIEW**

**Note: Pumps, jars and spoons are not included in the base models.**

**LISTINGS**



**HOOKUP**

Via plug in, 8 foot long, flexible 3 wire 14/3 cord with molded plug. 15 amp service is recommended.



**BID SPECIFICATIONS**

Item no. FLR-\_\_\_\_\_.  
Provide \_\_\_\_\_ ( )  
Flavorail Ice Cream Dipping Cabinet(s),  
Master-Bilt model no. FLR \_\_\_\_\_.  
Cabinet to feature textured finish  
on exterior with galvanized steel  
interior.  
Other standard features include

anti-condensate heaters under  
stainless top cap, 21/4" foamed-in-  
place "zero ODP" urethane  
insulation and stainless steel lids  
hinged with handles. Standard  
leveling legs provided to correct for  
uneven flooring situations.  
The refrigeration system is to

be self-contained and use R290  
refrigerant. The temperature range  
will be 10° to -10°F (-12° to -23°C).  
Cabinet to have standard limited  
two year parts and labor with  
additional three year coverage on  
compressor part. Cabinet to be UL,  
C-UL and NSF listed.

**NOTE: Cabinet designed for optimum performance in air-conditioned area at 75°F ambient and 55% relative humidity.  
All specifications within this publication subject to change without notice.**