



IMPORTANT FOR FUTURE REFERENCE

Please complete this information and retain this manual for the life of the equipment:

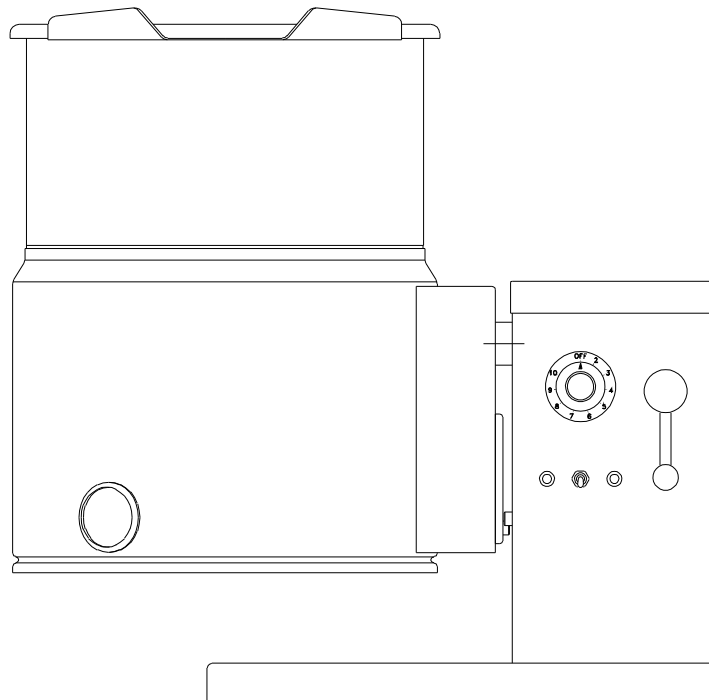
Model #: _____

Serial #: _____

Date Purchased: _____

PARTS LIST


Self ; enerating Steam Jacketed Counter Tilting Kettles
97 HI* *97 HI!%\$ ***97 HI!%&**



WARNING

Improper installation, adjustment, alteration, service or maintenance can cause property damage, injury or death. Read the installation, operating and maintenance instructions thoroughly before installing or servicing this equipment.

CROWN FOOD SERVICE EQUIPMENT

 A Middleby Company

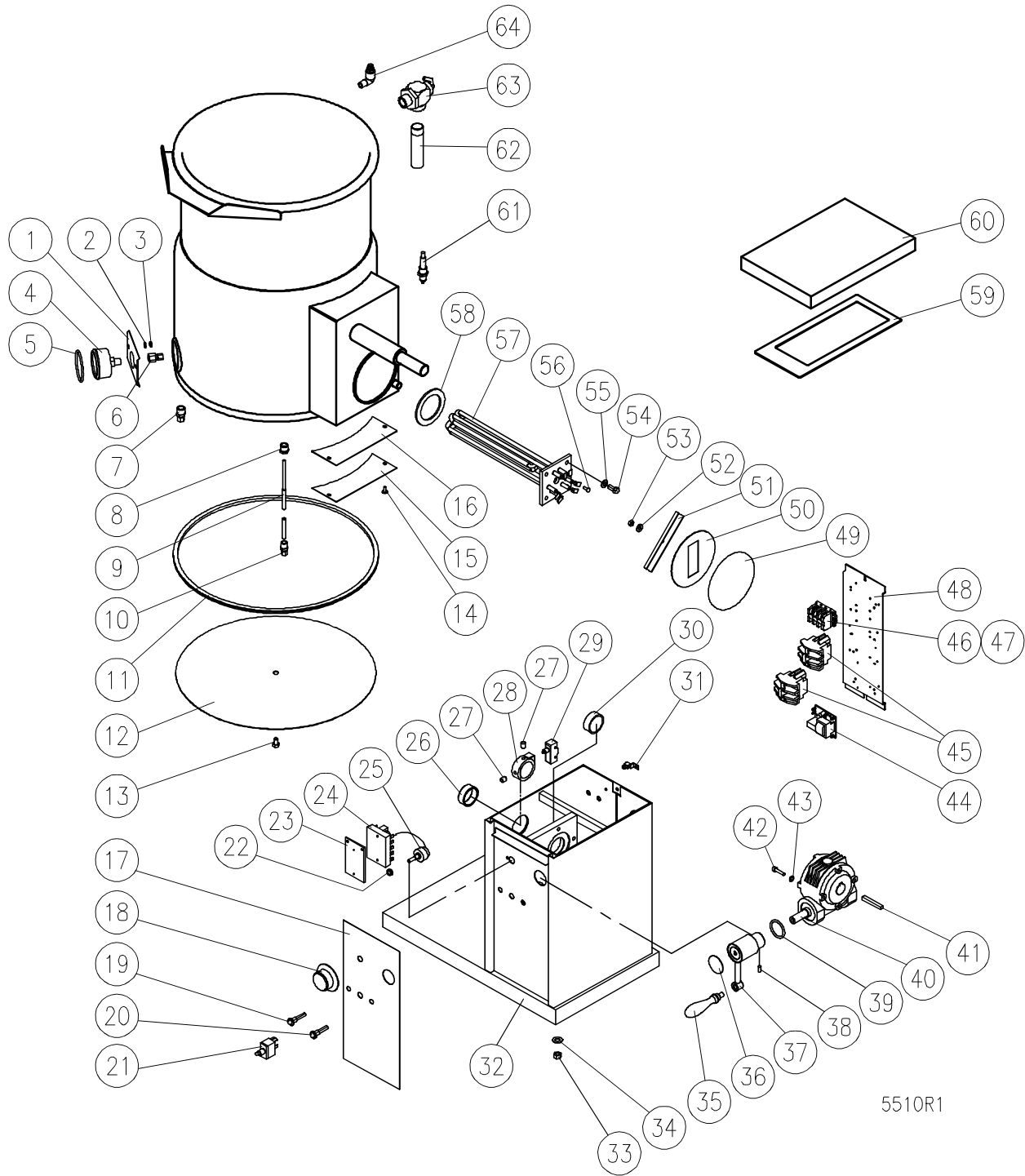
70 Oakdale Road, Downsview (Toronto) Ontario, Canada, M3N 1V9

Telephone: 919-762-1000 www.crownsteamgroup.com

Printed in Canada



PARTS LIST, SELF-GENERATING STEAM JACKETED COUNTER TILTING KETTLES,
 MODELS: ECT-6, ECT-10, ECT-12



5510R1

PARTS LIST, SELF-GENERATING STEAM JACKETED COUNTER TILTING KETTLES,
MODELS: ECT-6, ECT-10, ECT-12

<u>ITEM</u>	<u>PART NO.</u>	<u>DESCRIPTION</u>	<u>ECT-6</u>	<u>ECT-10</u> <u>ECT-12</u>
1	3407-1	Pressure Gauge Plate	1	1
2	F0IX-10	Washer, #10	2	2
3	9029-32	Hex Nut, 10-32	2	2
4	4967-1	Pressure Gauge	1	1
5	2-230R	"O" Ring	1	1
6	3-664B	Connector - Female	1	1
7	3-684C	Connector - Male	1	1
8	3-110CB	Reducer Bushing, 3/8 x 1/4	1	1
9	4309-1	Temperature Probe	1	1
10	3-683B	Connector - Male	1	1
11	4618-1	Bottom Cover Gasket	1	
	4618-2	Bottom Cover Gasket		1
12	3403-1	Bottom Cover	1	
	3440-1	Bottom Cover		1
13	M50S51618-12	Hex Screw, 5/16 - 18 x 1/2	1	1
14	M33S1032-12	Machine Screw, 10 - 32 x 1/2	2	2
15	3400-1	Trunnion Box Cover	1	
	3438-1	Trunnion Box Cover		1
16	4922-1	Trunnion Box Gasket	1	
	4922-2	Trunnion Box Gasket		1
17	1364-1	Console Decal	1	
	1354-1	Console Decal		1
18	4-TD02	Dial	1	1
19	4661-4	Temperature Pilot - Red	1	1
20	4661-5	Low Water Pilot - Amber	1	1

PARTS LIST, SELF-GENERATING STEAM JACKETED COUNTER TILTING KETTLES,
MODELS: ECT-6, ECT-10, ECT-12

<u>ITEM</u>	<u>PART NO.</u>	<u>DESCRIPTION</u>	<u>ECT-6</u>	<u>ECT-10</u> <u>ECT-12</u>
21	9110-1	Power Switch	1	1
22	9109-1	Rotary Shaft Seal	1	1
23	4620-1	Mounting Plate	1	1
24	4174-1	Temperature Control	1	1
25	5517-1	Potentiometer complete with Wires and Hardware	1	1
26	5333-1	Bearing, Left Hand	1	1
27	9061-5	Set Screw, 3/8 - 16 x 1/2	2	2
28	3546-1	Actuator	1	1
29	4-M605	Interlock Switch	1	1
30	5333-3	Bearing, Right Hand	1	1
31	4-70EU	Ground Lug	1	1
	4188-1	Earth I.D. Tag	1	1
32	1356-1	Base	1	1
33	9029-3	Hex Nut, 3/8 - 16 NC	6	6
34	F0IX-38	Washer, 3/8"	6	6
35	8-2054-1	Tilt Handle	1	1
36	5341-1	Directional Label	1	1
37	6745-1	Tilt Arm	1	1
38	9061-8	Set Screw, 1/4 - 28 x 1/4	1	1
39	5335-1	"O" Ring	1	1
40	6743-1	Gear Box	1	1
41	5337-1	Key	1	1
42	5338-1	Socket Head Screw, M6 x 2.5 mm	4	4
43	9122-1	Washer, M6	4	4

PARTS LIST, SELF-GENERATING STEAM JACKETED COUNTER TILTING KETTLES,
 MODELS: ECT-6, ECT-10, ECT-12

<u>ITEM</u>	<u>PART NO.</u>	<u>DESCRIPTION</u>	<u>ECT-6</u>	<u>ECT-10</u> <u>ECT-12</u>
	44	3974-2	Liquid Level Control	1 1
**	45	4-NG41	Contactora, 208/240V	2 2
		4-NG41	Contactora, 380, 415, 480, 600V	1 1
	46	4-22TB	Terminal Block	3 3
	47	4-22ES	End Section	1 1
	48	9-3237	Component Mounting Plate	1 1
	49	6570-1	Element Access Cover	1 1
	50	4605-1	Element Access Cover Gasket	1 1
	51	4983-1	Element Access Brace	1 1
	52	I0IX-14	Internal Tooth Washer, 1/4"	1 1
	53	9029-1	Hex Nut, 1/4 - 20	1 1
	54	M50S51618-34	Hex Screw, 5/16 - 18 x 3/4	4 4
	55	S0IS-516	Lock Washer, 5/16	4 4
	56	M93BRC1032-38	Screw, 10 -32 x 3/8 Brass NI Plated	6 6
**	57	7-5015	Element Assembly, 208V, 7.5 kW	1
		7-5017	Element Assembly, 240/416V, 7.5 kW	1
		7-5016	Element Assembly, 220/380V, 7.5 kW	1
		7-5018	Element Assembly, 480V, 7.5 kW	1
		2348-1	Element Assembly, 600V, 7.5 kW	1
		7-5019	Element Assembly, 208V, 12 kW	1
		7-5020	Element Assembly, 220/380V, 12 kW	1
		7-5021	Element Assembly, 240/416V, 12 kW	1

PARTS LIST, SELF-GENERATING STEAM JACKETED COUNTER TILTING KETTLES,
MODELS: ECT-6, ECT-10, ECT-12

<u>ITEM</u>	<u>PART NO.</u>	<u>DESCRIPTION</u>	<u>ECT-6</u>	<u>ECT-10</u> <u>ECT-12</u>
**	57	7-5022		1
		9-3298-1		1
	58	8-3146	1	
		8-3147		1
	59	3745-2	1	1
	60	6746-1	1	1
	61	4-LLP1	1	1
	62	5184-1	1	1
	63	3-SRV9-1	1	1
	64	3-AV01	1	1
*	65	3931-1	1	1
*	66	4326-1	1	1
*	67	4327-1	1	1
*	68	3441-1		1
*	69	8-3148	1	
*	70	8-3149		1
*	71	3404-1	1	
* **	72	4-T251	1	1
		Transformer, 380/416-120V, 50/60 Hz, 100VA		
		4-T255	1	1
		Transformer, 480-120V, 60 Hz, 100VA		
		4-T260	1	1
		Transformer, 600V-120V, 60 Hz, 100VA		
*	73	9001-2	2	2
		Fuse, 1/2 A, 600V (380, 416, 480, 600V)		
		9092-3	2	2
		Fuse, 3A, 250V (208 - 240V Units)		

PARTS LIST, SELF-GENERATING STEAM JACKETED COUNTER TILTING KETTLES,
 MODELS: ECT-6, ECT-10, ECT-12

<u>ITEM</u>	<u>PART NO.</u>	<u>DESCRIPTION</u>	<u>ECT-6</u>	<u>ECT-10</u> <u>ECT-12</u>
* 73	9092-3	Fuse, 3A, 250V (220/380V, 240/415V)	1	1
74	9002-1	Fuse Holder, (380, 416, 480, 600V)	2	2
	9068-1	Fuse Holder, (208-240V Units)	2	2
	9068-1	Fuse Holder, (220/380V, 240/415V)	1	1
* ** 75	4204-8	Wire Harness (LWC, Contactors)	1	1
	4204-9	Wire Harness (Elements, Thermostat)	1	1

* NOT SHOWN.

** SELECT AS REQUIRED.