

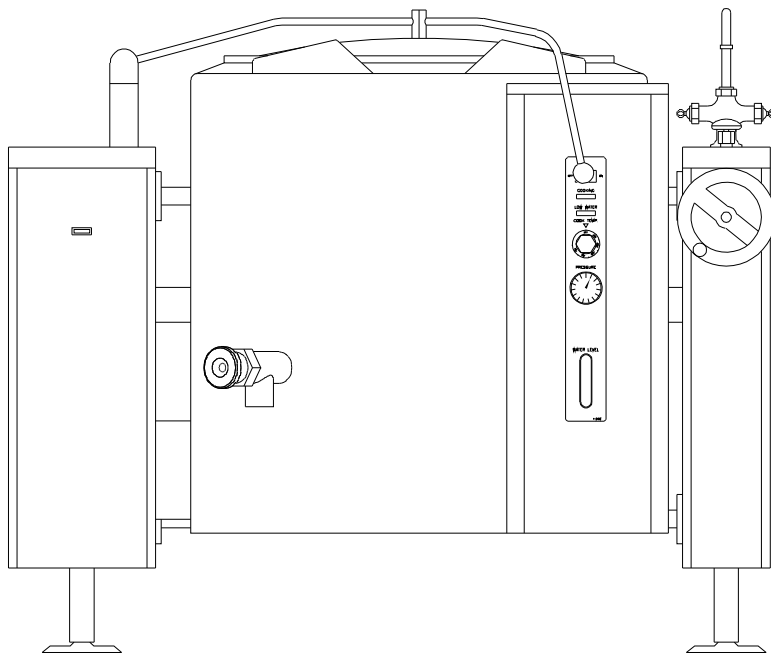


IMPORTANT FOR FUTURE REFERENCE
 Please complete this information and retain this manual for the life of the equipment:

Model #: _____
 Serial #: _____
 Date Purchased: _____

PARTS LIST

GLT-20 GLT-30 GLT-40 GLT-60



⚠ WARNING

Improper installation, adjustment, alteration, service or maintenance can cause property damage, injury or death. Read the installation, operating and maintenance instructions thoroughly before installing or servicing this equipment.

CROWN FOOD SERVICE EQUIPMENT

A Middleby Company

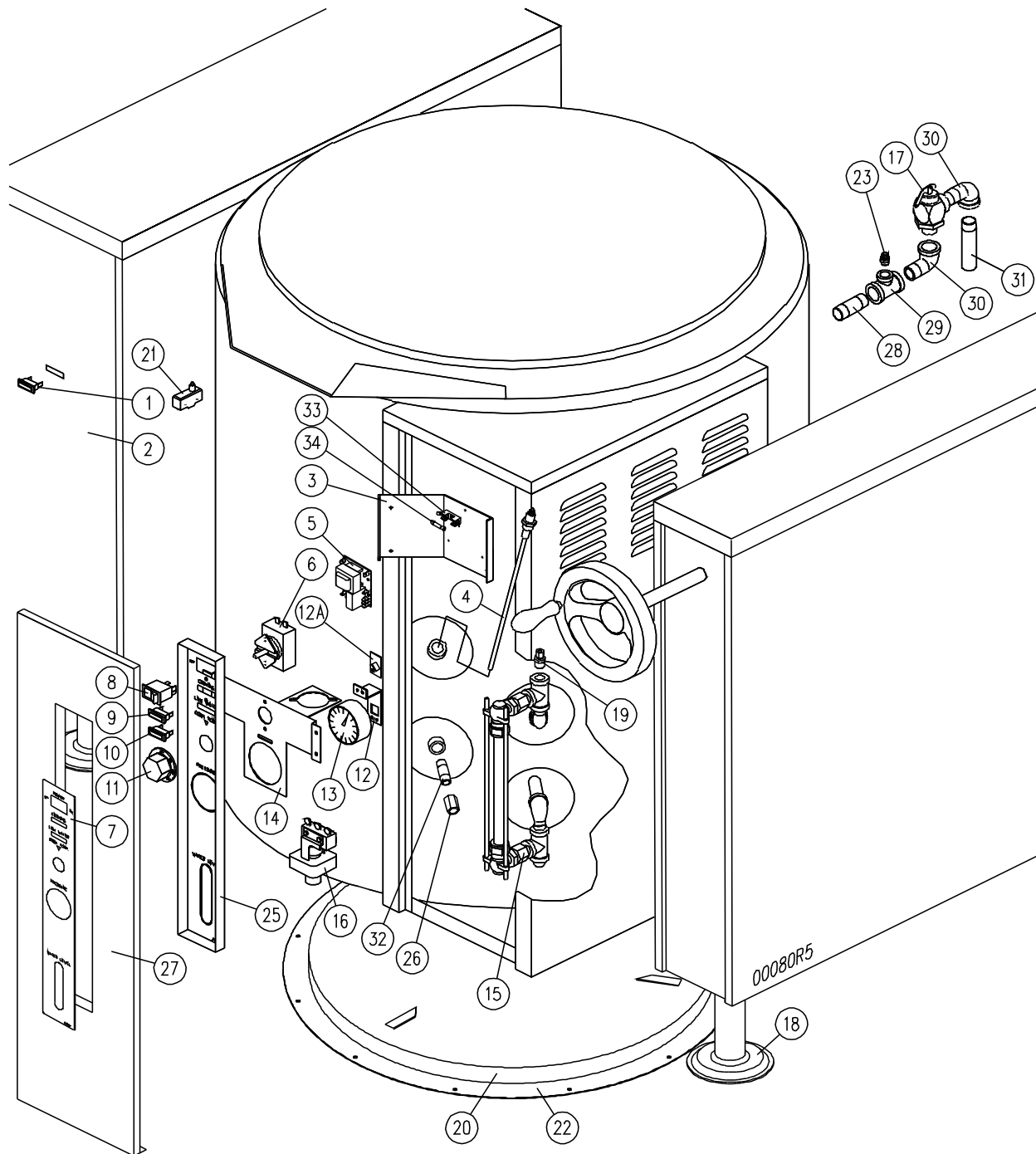
70 Oakdale Road, Downsview (Toronto) Ontario, Canada, M3N 1V9
 Telephone: 919-762-1000 www.crownsteamgroup.com

Printed in Canada



PARTS LIST, GAS TILTING KETTLES, MODELS: GLT-20, GLT-30, GLT-40, GLT-60

FIGURE 1



PARTS LIST, GAS TILTING KETTLES, MODELS: GLT-20, GLT-30, GLT-40, GLT-60

				<u>FIGURE 1</u>
<u>ITEM</u>	<u>PART NO.</u>	<u>DESCRIPTION</u>	<u>QUANTITY</u>	
1.	4996-6	Pilot Light - Green 28V	1	
2.	7272-1	Instruction Label	1	
3.	4524-1	Low Water Control Mounting Bracket	1	
**	4.	3738-13	Probe, 9 3/4" (20 Gallon)	1
		3738-14	Probe, 9 1/4" (30, 40, 60 Gallon)	1
5.	3974-1	Low Water Cut Off Control	1	
6.	116-6562	Thermostat	1	
7.	7002-1	Poly Panel	1	
8.	9130-2	Power Switch	1	
9.	4996-2	Pilot Light - Red	1	
10.	4996-3	Pilot Light - Amber	1	
11.	4-TK05	Dial	1	
12.	9-3240	Pressure Gauge Bracket	1	
12A	5845-1	Pressure Gauge Clip	1	
13.	4967-1	Pressure Gauge	1	
**	14.	9-3238	Mounting Bracket (30, 40 Gallon Only)	1
		9-3239	Mounting Bracket (20, 60 Gallon Only)	1
15.	5285-1	Sight Glass Assembly	1	
		9108-6	Glass, 5/8" x 8" Long	1
		8-6016	Rods	2
		8-6018	Washer - Rubber	2
		8-6019	Washer - Brass	2
16.	116-6490	Pressure Switch	1	
17.	3-SRV9-1	Relief Valve	1	

PARTS LIST, GAS TILTING KETTLES, MODELS: GLT-20, GLT-30, GLT-40, GLT-60

			<u>FIGURE 1</u>	
<u>ITEM</u>	<u>PART NO.</u>	<u>DESCRIPTION</u>	<u>QUANTITY</u>	
18.	8-1308	Flanged Foot	2	
19.	3-T684C	Connector, Brass, 1/4C x 3/8 MPT	1	
**	20.	8328-1	Insulation, Bottom Cover, 20 Gal.	1
		8328-2	Insulation, Bottom Cover, 30, 40 Gal.	1
		8328-3	Insulation, Bottom Cover, 60 Gal.	1
21.	4-M605	Interlock Switch	1	
**	22.	8329-1	Bottom Cover Assembly with Insulation, 20 Gal.	1
		8329-2	Bottom Cover Assembly w/ Insulation, 30, 40 Gal.	1
		8329-3	Bottom Cover Assembly with Insulation, 60 Gal.	1
23.	3-AV00	Air Vent	1	
* **	24.	2976-1	Combustion Chamber (20 Gallon)	1
		2976-2	Combustion Chamber (30, 40 Gallon)	1
		2976-3	Combustion Chamber (60 Gallon)	1
25.	7790-1	Recessed Control Panel	1	
26.	3-103C	Brass Coupling, 3/8 NPT	1	
**	27.	7816-1	Control Panel (20 Gallon)	1
		7816-2	Control Panel (30 Gallon)	1
		7816-3	Control Panel (40 Gallon)	1
		7817-1	Control Panel (60 Gallon)	1
28.	9010-034	Nipple, 3/4-Sch. 40 x 3-1/2" Lg.	1	
29.	9013-6P	Tee, 3/4 x 3/4 x 3/8 NPT	1	
30.	9012-4P	Street Elbow, 90°, 3/4 NPT	2	
31.	5184-1	Extension, Relief Valve	1	
32.	3-113C112	Brass Pipe Nipple, 3/8 x 1-1/2" Lg.	1	

PARTS LIST, GAS TILTING KETTLES, MODELS: GLT-20, GLT-30, GLT-40, GLT-60

<u>ITEM</u>	<u>PART NO.</u>	<u>DESCRIPTION</u>	<u>FIGURE 1</u> <u>QUANTITY</u>
33.	9068-1	Fuse Holder	1
34.	9092-3	Fuse, 3 Amps, 250V	1

* NOT SHOWN.

** SELECT AS REQUIRED.

PARTS LIST, GAS TILTING KETTLES, MODELS: GLT-20, GLT-30, GLT-40, GLT-60

GLT - 20, TILTING MECHANISM

FIGURE 2

<u>ITEM</u>	<u>PART NO.</u>	<u>DESCRIPTION</u>	<u>QUANTITY</u>	
1.	8-2054	Handwheel	1	
2.	1-72U4	Socket Set Screw, 3/8-16 x 1/2	1	
3.	6738-1	Tilt Shaft	1	
4.	3466-1	Bushing	2	
5.	5393-1	Segment Gear and Worm Gear Kit (Includes Items 6 - 12)	1	
6.	2-T6U5	Tension Pin, 3/16" D x 1-1/4" L	1	
7.	6321-1	Square Key, 1/4" x 1-3/8" L	1	
8.	1-R315	Retaining Ring	1	
9.	1-52U4	Socket Set Screw, 1/4-20 x 1/2	1	
10.	2-96C8	Bolt, 1/2 - 13 x 2	1	
11.	S01X-12	Washer, Lock, 1/2"	1	
12.	1-99C0	Nut, 1/2-13 UNC	1	
13.	5328-1	Washer 3/4 ID x 1 - 1/4 OD	1	
14.	5329-1	Cotter Pin S.S. 3/16 x 1	1	
*	15.	4127-3	Cord Set, 120V	1
*	16.	5608-1	Decal - Tilt	1
	17.	5327-1	Thrust Bearing	2
	18.	2-HN66	Jam Nut, 3/4 - 16	2
*	19.	2944-1	Console Cover	1
*	20.	4015-1	Console Cover Assembly (Faucet Mount), Optional	1
*	21.	3864-1	Spacer (Faucet Mount)	1
	22.	9390-2	Terminal Assembly	1

Includes the following parts:

PARTS LIST, GAS TILTING KETTLES, MODELS: GLT-20, GLT-30, GLT-40, GLT-60

<u>ITEM</u>	<u>PART NO.</u>	<u>DESCRIPTION</u>	<u>QUANTITY</u>
22.	9391-1	Modular Terminal	2
	9392-1	End Plate	1
	9393-1	End Clamp	2
	9394-053	Mounting Rail, 53 mm	1
23.	1-21C2	Round Head Screw, 8-32 x 1/4	2
24.	E01X-8	Tooth Lock Washer # 8	2
25.	4188-1	Earth/Ground ID Tag	1

* NOT SHOWN.

PARTS LIST, GAS TILTING KETTLES, MODELS: GLT-20, GLT-30, GLT-40, GLT-60

FIGURE 3

<u>ITEM</u>	<u>PART NO.</u>	<u>DESCRIPTION</u>	<u>QUANTITY</u>
** 1.	6704-1	Console Cover	1
*	4015-3	Console Cover Assembly (Faucet Mount), OPTIONAL.	1
*	3864-1	Spacer (Faucet Mount), OPTIONAL.	1
2.	9061-5	Set Screw, 3/8-16 x 1/2	1
3.	8-2054	Handwheel	1
4.	5311-1	Front Bearing	1
5.	6722-1	Tilt Shaft	1
6.	5608-1	Tilt Label	1
7.	2460-1	Trunnion Housing Assembly	1
8.	6321-1	Sq. Key, 1/4" x 1-3/8" L	1
9.	1-R315	Retaining Ring	1
10.	1348-1	Arm	1
11	F01X-38	Flat Washer, 3/8	4
11A	F01X-12	Flat Washer, 1/2	4
12.	M68P-3816-2	Hex Socket Cap Screw, 3/8-16 x 2	1
13.	M68P-3816-1	Hex Socket Hd Screw, 3/8-16 x 1"	4
13A	M68P-1213-114	Hex Socket Hd Screw, 1/2-13 x 1-1/4"	4
14.	5315-2	Chain Link	1
15.	7842-1	Screw Jack	1
16.	7841-1	Base Assembly	1
17.	6719-1	Base Bracket Assembly	2
18.	5310-1	Bearing	2
19.	8-1308	Adjustable Foot	2

PARTS LIST, GAS TILTING KETTLES, MODELS: GLT-20, GLT-30, GLT-40, GLT-60

FIGURE 3

<u>ITEM</u>	<u>PART NO.</u>	<u>DESCRIPTION</u>	<u>QUANTITY</u>
20.	0680-2	Side Panel	1
21.	M33S-1032-12	Truss HD Slot Screw, 10-32 x 1/2	10
22.	9390-2	Modular Terminal Assembly, 2 Poles	1
		Includes the following parts:	
	9391-1	Modular Terminal	2
	9392-1	End Plate	1
	9393-1	End Clamp	2
	9394-053	Mounting Rail, 53 mm	1
23.	9209-1815	Bushing, DU, 18 ID x 20 OD x 15L	4
24.	4188-1	Earth ID Tag	1
25.	F01X-10	Flat Washer #10	2
26.	M92X-1032-114	Truss HD Screw Drive, 10-32 x 1-1/4	2
27.	M13X-832-14	RD HD Screw, 8-32 x 1/4	2
28.	E01X-8	External Tooth Washer # 8	2
29.	5761-1	Pin, Rod End of Screw Jack	1
30.	9174-18	Retaining Ring, External, 18 mm	2
31.	S01X-38	Lock Washer, 3/8	4
32.	9029-3	Hex Nut, 3/8-16	4
33.	4898-1	Grease Nipple, 1/8 NPT	1
34.	F01X-516	Flat Washer, 5/16	2
35.	9029-2	Hex Nut, 5/16-18	2
36.	6727-1	Flexible Shaft Assembly	1
37.	5316-1	Nylon Shaft Guide	2
38.	9075-3	Set Screw, 1/4-28 x 3/8	1

PARTS LIST, GAS TILTING KETTLES, MODELS: GLT-20, GLT-30, GLT-40, GLT-60

FIGURE 3

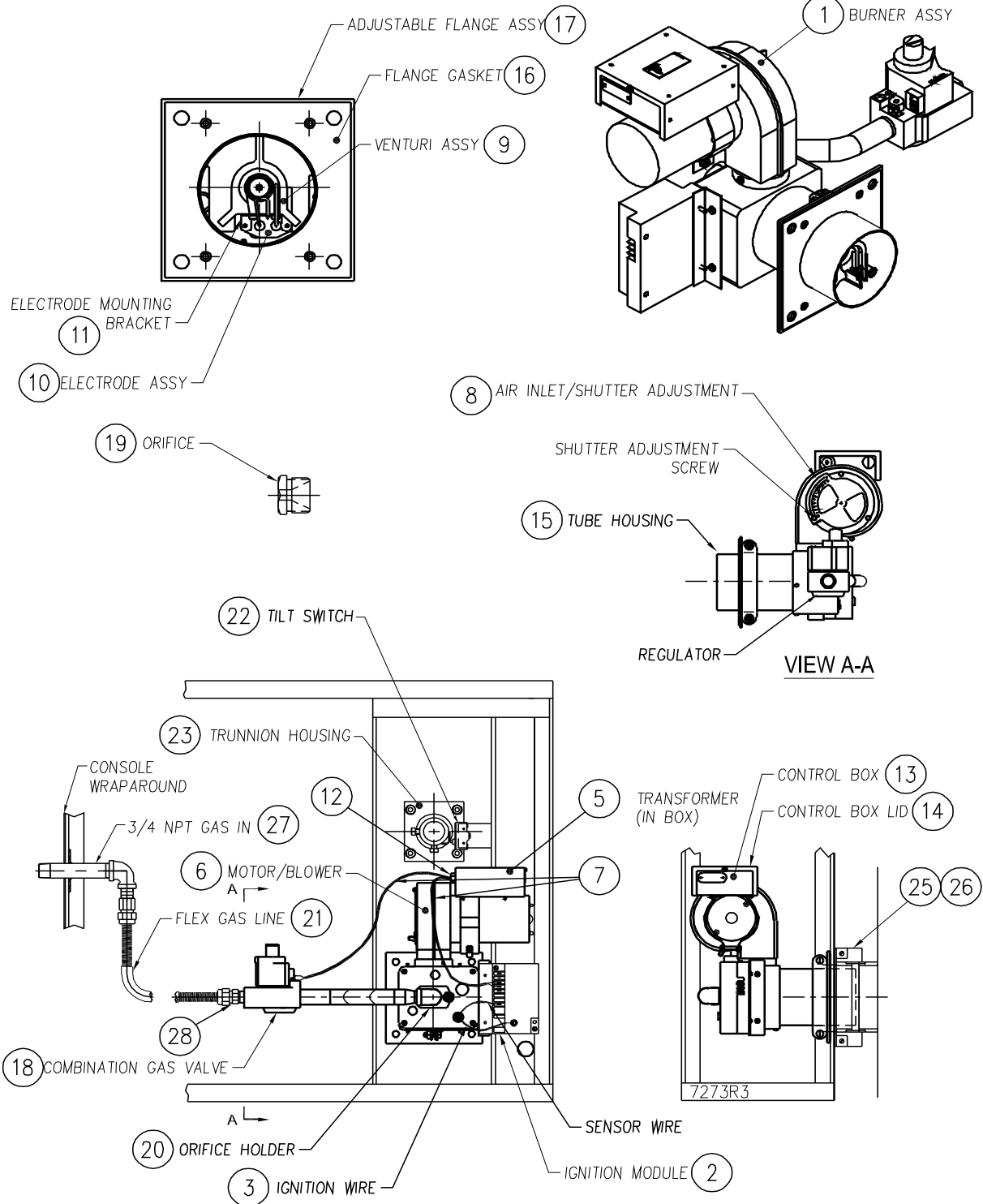
<u>ITEM</u>	<u>PART NO.</u>	<u>DESCRIPTION</u>	<u>QUANTITY</u>
39.	1-R362Z	External Retaining Ring	1
40.	5312-1	Key	2
41.	5313-2	Sprocket	1
42.	5306-1	Output Shaft	1
43.	5313-1	Sprocket	1
44.	5315-1	Chain	1
* 45.	4327-1	Single Faucet, 18", OPTIONAL	1
	6267-1	Double Faucet, 18", OPTIONAL	1

* NOT SHOWN.

** SELECT AS REQUIRED.

PARTS LIST, GAS TILTING KETTLES, MODELS: GLT-20, GLT-30, GLT-40, GLT-60

FIGURE 4



PARTS LIST, GAS TILTING KETTLES, MODELS: GLT-20, GLT-30, GLT-40, GLT-60

<u>ITEM</u>	<u>PART NO.</u>	<u>DESCRIPTION</u>	<u>FIGURE 4</u>		
			<u>20</u>	<u>30</u> <u>40</u>	<u>60</u>
** 1.	9134-19	Complete Burner Assembly, Natural Gas	1		
	9134-30	Complete Burner Assembly, LP Gas	1		
	9134-13	Complete Burner Assembly, Natural Gas		1	
	9134-27	Complete Burner Assembly, LP Gas		1	
	9134-7	Complete Burner Assembly, Natural Gas			1
	9134-23	Complete Burner Assembly, LP Gas			1
2.	3876-2	DSI Module	1	1	1
3.	9141-1	Ignition Wire, 18"	1	1	1
4.	4-T253	Transformer, 220-240/120V, 200VA, 50/60 Hz (Units rated 220-240V only)	1	1	1
5.	3878-1	Transformer, 120/24V, 50/60, 30 VA	1	1	1
6.	9137-1	Motor/Blower, 115V/50/60 Hz	1	1	1
7.	9164-1	Control/Ignition Module Wire Harness	1	1	1
8.	9140-1	Air Shutter Assembly	1	1	1
9.	9150-1	Venturi Assembly	1	1	1
10.	9138-1	Electrode Assembly	1	1	1
11.	9151-1	Electrode Mounting Bracket	1	1	1
12.	9153-1	Adaptor Bushing, 7/8"	1	1	1
13.	9154-1	Control Box with Strap	1	1	1
14.	9155-1	Control Box Lid	1	1	1
15.	9156-1	Tube/Housing, 6"	1	1	1
16.	9157-1	Flange Gasket, 6-1/2" Square	1	1	1
17.	9139-1	Adjustable Flange Assembly, 6-1/2" Square	1	1	1
18.	5449-1	Gas Valve (Natural/LP), 1/2" x 1/2"	1	1	1
** 19.	9136-19	Orifice #19, Natural Gas	1		

PARTS LIST, GAS TILTING KETTLES, MODELS: GLT-20, GLT-30, GLT-40, GLT-60

FIGURE 4

<u>ITEM</u>	<u>PART NO.</u>	<u>DESCRIPTION</u>	<u>20</u>	<u>30</u> <u>40</u>	<u>60</u>	
	9136-30	Orifice #30, LP Gas	1			
**	19.	9136-13	Orifice #13, Natural Gas	1		
		9136-27	Orifice #27, L.P. Gas	1		
		9136-7	Orifice #7, Natural Gas		1	
		9136-23	Orifice #23, L.P. Gas		1	
	20.	9149-1	Orifice Holder	1	1	1
	21.	9026-18	Gas Flex Tube	1	1	1
	22.	4-M605	Interlock Switch	1	1	1
	23.	2460-1	Trunnion Housing Assembly	1	1	1
* **	24.	2945-1	Console Cover, Kettles without Covers	1	1	1
		2945-2	Console Cover, Kettles with Covers	1	1	1
	25.	2443-1	Console Nozzle Assembly	1	1	1
	26.	2458-1	Nozzle Cover	1	1	1
	27.	6729-1	Gas Supply Pipe Assembly	1	1	1
	28.	9201-1	Reducer Bushing, 1/2 x 3/4	1	1	1
* **	29.	9002-1	Fuse Holder (220-240V, 50 Hz Units)	1	1	1
		9002-1	Fuse Holder (240V, 60 Hz Units)	2	2	2
* **	30.	9001-7	Fuse, 2A, 600V (220-240V, 50 Hz Units)	1	1	1
		9001-7	Fuse, 2A, 600V (240V, 60 Hz Units)	2	2	2

* NOT SHOWN.

** SELECT AS REQUIRED.

PARTS LIST, GAS TILTING KETTLES, MODELS: GLT-20, GLT-30, GLT-40, GLT-60

FIGURE 5

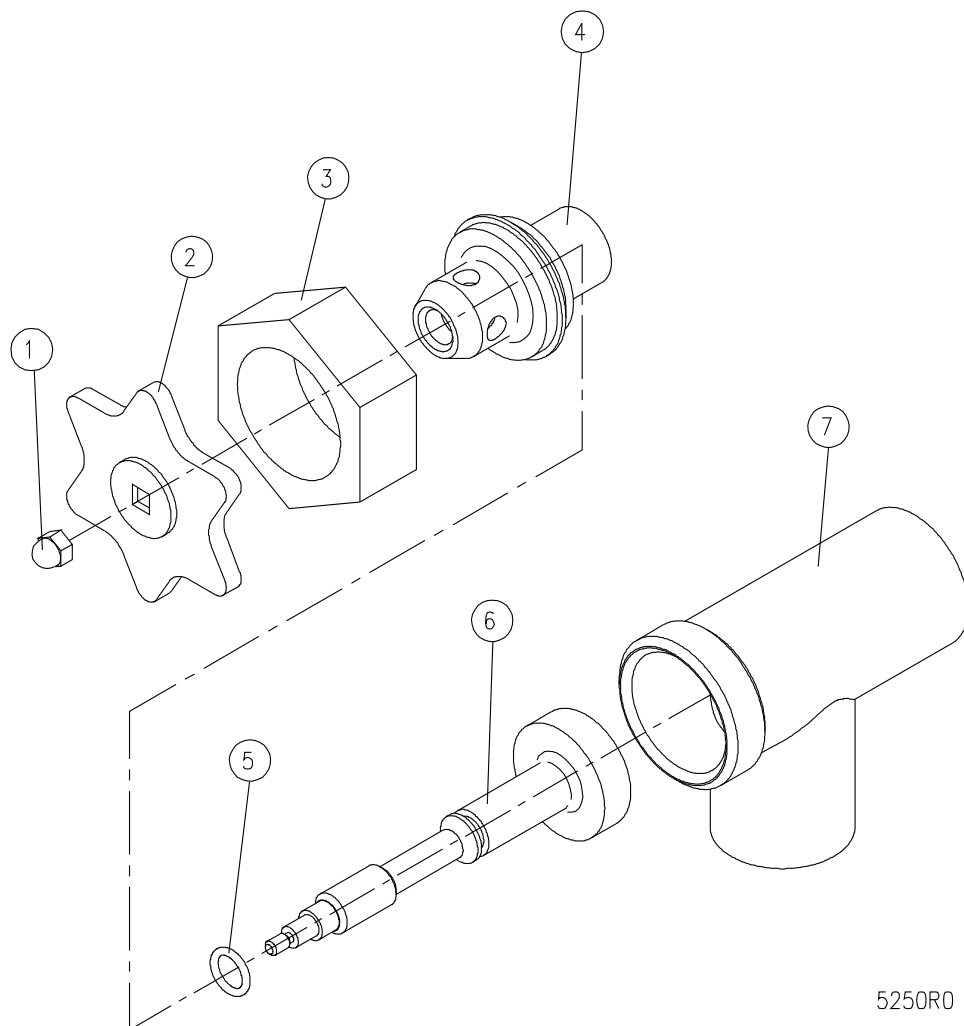
SPRING ASSIST HINGE ASSEMBLY

<u>ITEM</u>	<u>PART NO.</u>	<u>DESCRIPTION</u>	<u>QUANTITY</u>
	9-3185	HINGE ASSEMBLY	
1.	8-2029	Lock Pin	1
2.	8-2035L	End Lock Plate	1
3.	5428-1	Stationary Disc	1
4.	5430-1	Core	1
5.	8-2026	Spring	1
** 6.	8-2028-3	Handle Assembly (20 Gallon)	1
	8-2028-4	Handle Assembly (30, 40 Gallon)	1
	8-2027-3	Handle Assembly (60 Gallon)	1
7.	5429-1	Rotary Disc	1
8.	8-2021	End Stop Plate	1
9.	4261-2	Hinge Support Riser	1
10.	1-56S6	Cap Screws, 1/4-20 x 3/4, Stainless Steel	4
11.	M50S-51618-12	Cap Screw, 5/16 - 18 x 1/2	1
12.	2-KB01	Knob	1
** 13.	116-6374	Cover, 20 Gallon Kettle	1
	8-2005	Cover, 30, 40 Gallon Kettle	1
	8-2006	Cover, 60 Gallon Kettle	1

** SELECT AS REQUIRED.

FIGURE 7

DRAW-OFF VALVE



5250R0

PARTS LIST, GAS TILTING KETTLES, MODELS: GLT-20, GLT-30, GLT-40, GLT-60

FIGURE 7

<u>ITEM</u>	<u>PART NO.</u>	<u>DESCRIPTION</u>	<u>QUANTITY</u>
	3-D015	1 -1/2" DRAW-OFF VALVE ASSEMBLY	
1.	9031-3	Acorn Nut 10-24 UNC	1
2.	4115-1	Handle, Stainless Steel	1
3.	3-DV14	Bonnet	1
4.	3-DV13	Gland Nut	1
5.	3-DV16	"O" Ring	1
6.	3-DV15RV	Stem Assembly	1
7.	3-DV17	Valve Body	1

<u>ITEM</u>	<u>PART NO.</u>	<u>DESCRIPTION</u>	<u>QUANTITY</u>
	3-D020	2" DRAW-OFF VALVE ASSEMBLY	
1.	9031-3	Acorn Nut 10-24 UNC	1
2.	4115-1	Handle, Stainless Steel	1
3.	3-DV24	Bonnet	1
4.	3-DV23	Gland Nut	1
5.	3-DV26	"O" Ring	1
6.	3-DV25RV	Stem Assembly	1
7.	3-DV27	Valve Body	1

PARTS LIST, GAS TILTING KETTLES, MODELS: GLT-20, GLT-30, GLT-40, GLT-60

FIGURE 7

<u>ITEM</u>	<u>PART NO.</u>	<u>DESCRIPTION</u>	<u>QUANTITY</u>
	3-D030	3" DRAW-OFF VALVE ASSEMBLY	
1.	3-DV31	Acorn Nut, 7/16-14 UNC	1
2.	3-DV32	Handle, Stainless Steel	1
3.	3-DV34	Bonnet	1
4.	3-DV33	Gland Nut	1
5.	3-DV36	"O" Ring	1
6.	3-DV35RV	Stem Assembly	1
7.	3-DV37	Valve Body	1