



IMPORTANT FOR FUTURE REFERENCE

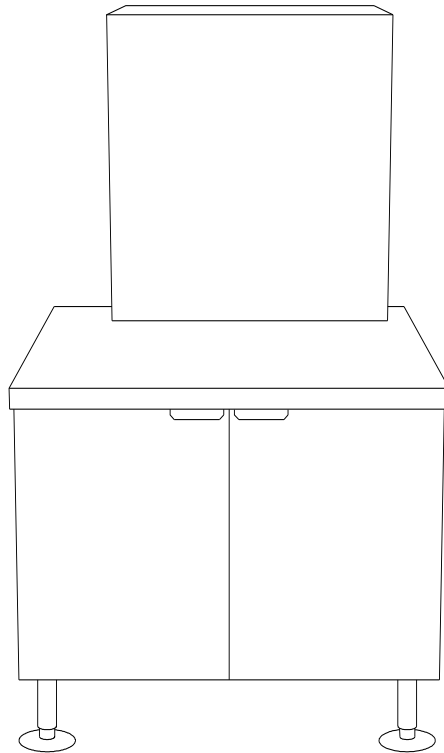
Please complete this information and retain this manual for the life of the equipment:

Model #: _____

Serial #: _____

Date Purchased: _____

PARTS LIST
Gas Fired Steam Generator in Cabinet Base
CG-214(E) CG-220(E)



WARNING

Improper installation, adjustment, alteration, service or maintenance can cause property damage, injury or death. Read the installation, operating and maintenance instructions thoroughly before installing or servicing this equipment.

CROWN FOOD SERVICE EQUIPMENT

Division of Middleby Canada Company Inc.

70 Oakdale Road, Downsview (Toronto) Ontario, Canada, M3N 1V9

Telephone: 919-762-1000

www.crownsteamgroup.com

Printed in Canada

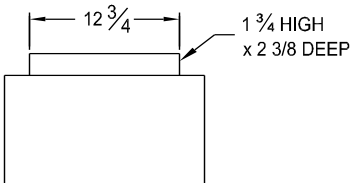
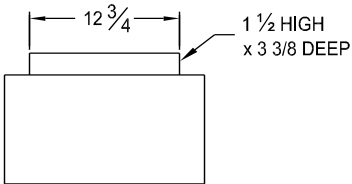
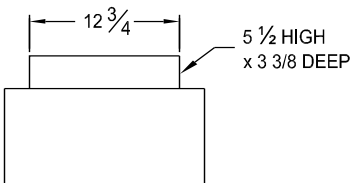
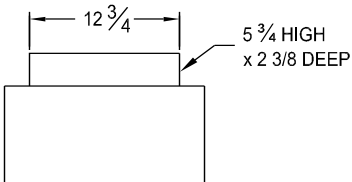
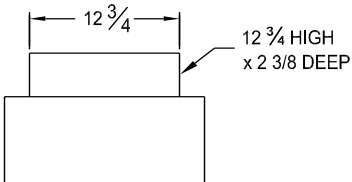


PARTS LIST, GAS BOILERS, MODELS CG214 (E), CG220 (E)

FIGURE 1

GAS BOILER SHELLS, 14" WIDE

(Choose replacement boiler shell based on description and shape of flue as illustrated in the diagrams. Illustrations are based on front view of the boiler when looking at front of unit.)

<u>ITEM</u>	<u>PART NO.</u>	<u>DESCRIPTION</u>
1	8-6015 (6783-1)	 <p>140,000 BTU USED ON ALL 24" CABINET BASE PRESSURELESS COOKERS AND BOILER BASE. I.E. GCX-2, GCX-10, CG-214, GHD-2</p>
2	8-6015-1(6784-1)	 <p>200,000 BTU USED ON ALL 24" CABINET UNITS AND BOILER BASES. I.E. GCX-10, CG-220, GHD-2</p>
3	8-6015-2 (6785-1)	 <p>200,000 BTU USED ON UNITS WITH A DIRECT STEAM KETTLE ON RIGHT HAND SIDE OR MODULAR UNIT. I.E. GCX-2-6, GMT-6(10)</p>
4	8-6015-3 (6786-1)	 <p>140,000 BTU USED ON UNITS WITH A DIRECT STEAM KETTLE ON SIDE AND MODULAR UNITS. I.E. GCX-2-6, GMT-6(6)</p>
5	8-6015-4 (6787-1)	 <p>140,000 BTU USED ON OYSTER BAR UNITS. I.E. OB-2-1-27-G</p>

5442-4R1

PARTS LIST, GAS BOILERS, MODELS CG214 (E), CG220 (E)

FIGURE 2

<u>ITEM</u>	<u>PART NO.</u>	<u>DESCRIPTION</u>	<u>CG214</u>	<u>CG220</u>	
	1.	9-3176	Top Insulation Panel	1	1
**	2.	9-3441	Cathodic Descaler (Screw Type)	1	1
*		8-6011	Cathodic Descaler	1	1
	3.	3-666B	Connector, 3/8C x 1/4 FPT	1	1
	4.	3-PG30	Pressure Gauge	1	1
	5.	3-696B	Elbow, 3/8C x 1/4 MPT	1	1
	6.	4874-1	Safety Sensor	1	1
	7.	8-1400-1	Sensor Box	1	1
	8.	8-1922	Cover Plate	1	1
	9.	8-1923	Hand Hole Gasket	1	1
	10.	8-1924	Yoke	1	1
	11.	2-75U0	Nut	1	1
	12.	5395-1	Water Gauge Valves	1	1
*		9108-4	Gauge Glass, 5-1/2"	1	1
*		8-6016	Rod	2	2
*		8-6018	Rubber Washer	2	2
*		8-6019	Brass Washer	2	2
	13.	9015-4	Union, 3/4"	1	1
	14.	9010-016	Nipple, 3/4" x 1.75"	1	1
	15.	9012-4	St. Elbow, 3/4"	1	1
**	16.	6-36C0	Combination Gas Control, Natural	1	
		6-36C0-1	Combination Gas Control, LP	1	
		6-36C1	Combination Gas Control, Natural		1
		6-36C1-1	Combination Gas Control, LP		1

PARTS LIST, GAS BOILERS, MODELS CG214 (E), CG220 (E)

<u>ITEM</u>	<u>PART NO.</u>	<u>DESCRIPTION</u>	<u>CG214</u>	<u>CG220</u>	
**	16.	5447-1	Combination Gas Control, Natural, Electronic Ignition	1	
		5447-2	Combination Gas Control, LP, Electronic Ignition	1	
		5448-1	Combination Gas Control, Natural, Electronic Ignition		1
		5448-2	Combination Gas Control, LP, Electronic Ignition		1
	17.	3-U6BE	Union Elbow, 3/4"	1	1
	18.	9010-021	Nipple, 3/4 x 2.125"	2	2
	19.	9011-4	Elbow, 3/4"	1	1
**	20.	8-1911	Manifold Assembly	1	
		2970-1	Manifold Assembly		1
	21.	3-122A	Orifice Nipple	5	5
**	22.	9-3351-37	Orifice #37, Natural	5	
		9-3351-52	Orifice #52, LP	5	
		9-3351-32	Orifice #32, Natural		5
		9-3351-50	Orifice #50, LP		5
**	23.	2936-1	Burner		5
*		8-1407	Burner complete with Pilot Burner Bracket	1	
*		8-1407-1	Burner Assembly, Electronic Ignition	1	
*		8-1406	Burner	4	
**	24.	9-3110	Burner Box	1	
		6814-1	Burner Box		1
	25.	4058-1	Pilot Burner Bracket		1
**	26.	6-36PB	Pilot Burner, Natural	1	1
		6-36PB-1	Pilot Burner, LP	1	1

PARTS LIST, GAS BOILERS, MODELS CG214 (E), CG220 (E)

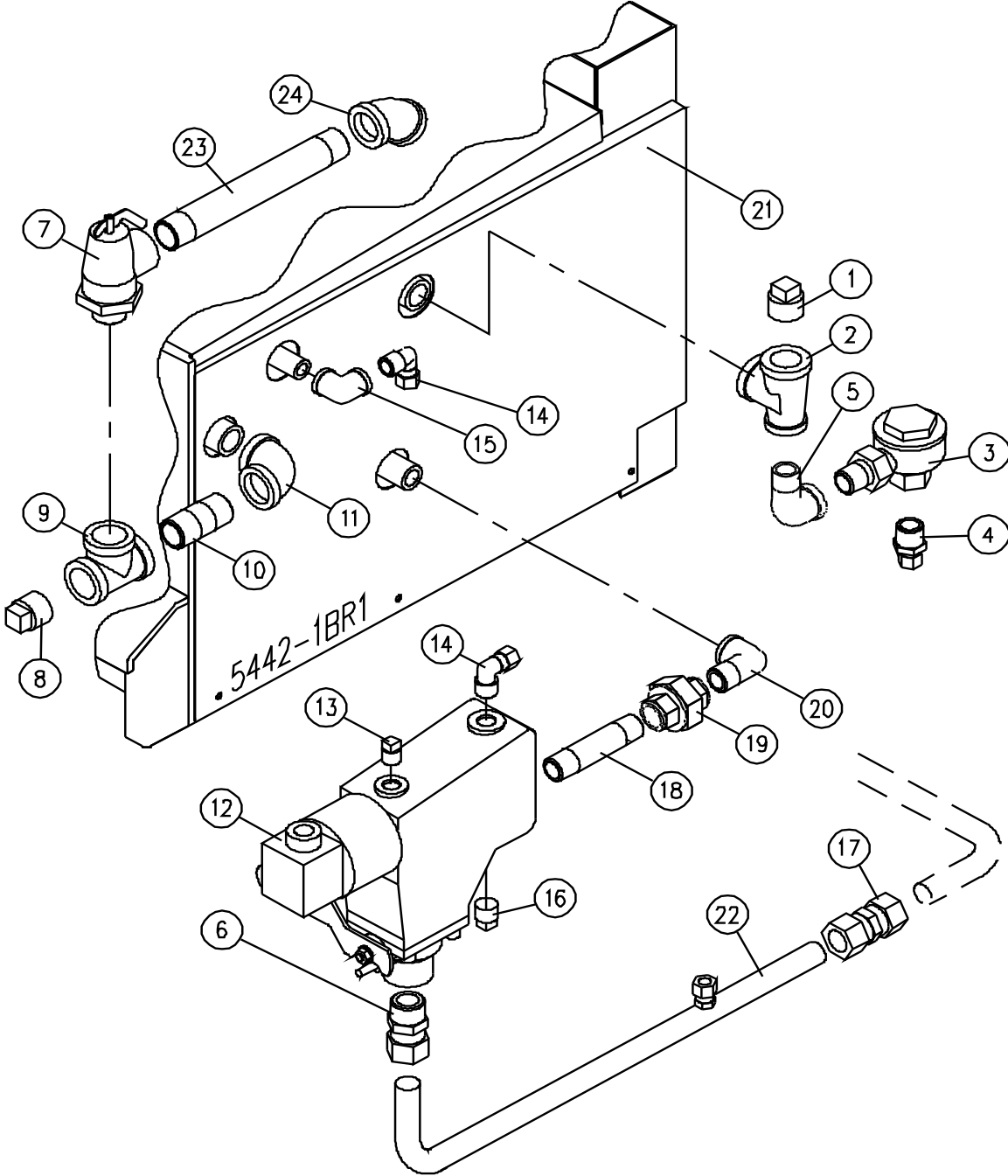
<u>ITEM</u>	<u>PART NO.</u>	<u>DESCRIPTION</u>	<u>CG214</u>	<u>CG220</u>
** 26.	9-3380	Pilot complete with Ignitor Natural, Electronic Ignition	1	1
	9-3380-1	Pilot complete with Ignitor LP, Electronic Ignition	1	1
	27.	6-36TB Thermocouple	1	1
	28.	9-3179 Front Insulation Panel	1	1
** 29.	5886-1	Tube, Pilot Burner (E.I.)	1	
	5955-1	Tube, Pilot Burner (E.I.)		1
	5956-1	Tube, Pilot Burner (S.P.)	1	
	5957-1	Tube, Pilot Burner (S.P.)		1

* NOT SHOWN.

** SELECT AS REQUIRED.

PARTS LIST, GAS BOILERS, MODELS CG214 (E), CG220 (E)

FIGURE 3



PARTS LIST, GAS BOILERS, MODELS CG214 (E), CG220 (E)

FIGURE 3

<u>ITEM</u>	<u>PART NO.</u>	<u>DESCRIPTION</u>	<u>CG140</u>	<u>CG200</u>
1.	9035-5	Square Plug, 3/4"	1	1
2.	9013-12	Tee, 3/4 x 1/2 x 3/4	1	1
3.	9170-1	Steam Trap, 1/2"	1	1
4.	3-666D	Connector, 3/8C x 1/2 FPT	1	1
5.	9012-3	St. Elbow, 1/2"	1	1
6.	3-6812E	Connector, 3/4C x 3/4 MPT	1	1
7.	3-SRV3	Relief Valve, 15 PSI	1	1
8.	9035-5	Square Plug, 3/4"	1	1
9.	9013-4	Tee, 3/4"	1	1
10.	9010-022	Nipple, 3/4 x 2-1/4"	1	1
11.	9011-4	Elbow, 3/4"	1	1
12.	4-WC67	Low Water Cut Off Control	1	1
*	8-6023	Float	1	1
*	8-6022	Switch	1	1
*	8-6020	Round Gasket	1	1
*	8-6021	Square Gasket	1	1
*	8-6026	Blowdown Valve	1	1
13.	3-109B	Square Plug-Brass, 1/4"	1	1
14.	3-696C	Elbow, 3/8C x 3/8 MPT	2	2
15.	3-100C	Elbow, 3/8"	1	1
16.	9035-3	Square Plug, 3/8"	1	1
17.	3-6212	Union Coupling, 3/4C	1	1
18.	9090-034	Nipple, 1/2 x 3-1/2" Brass	1	1
19.	9015-3	Union, 150# 1/2"	1	1

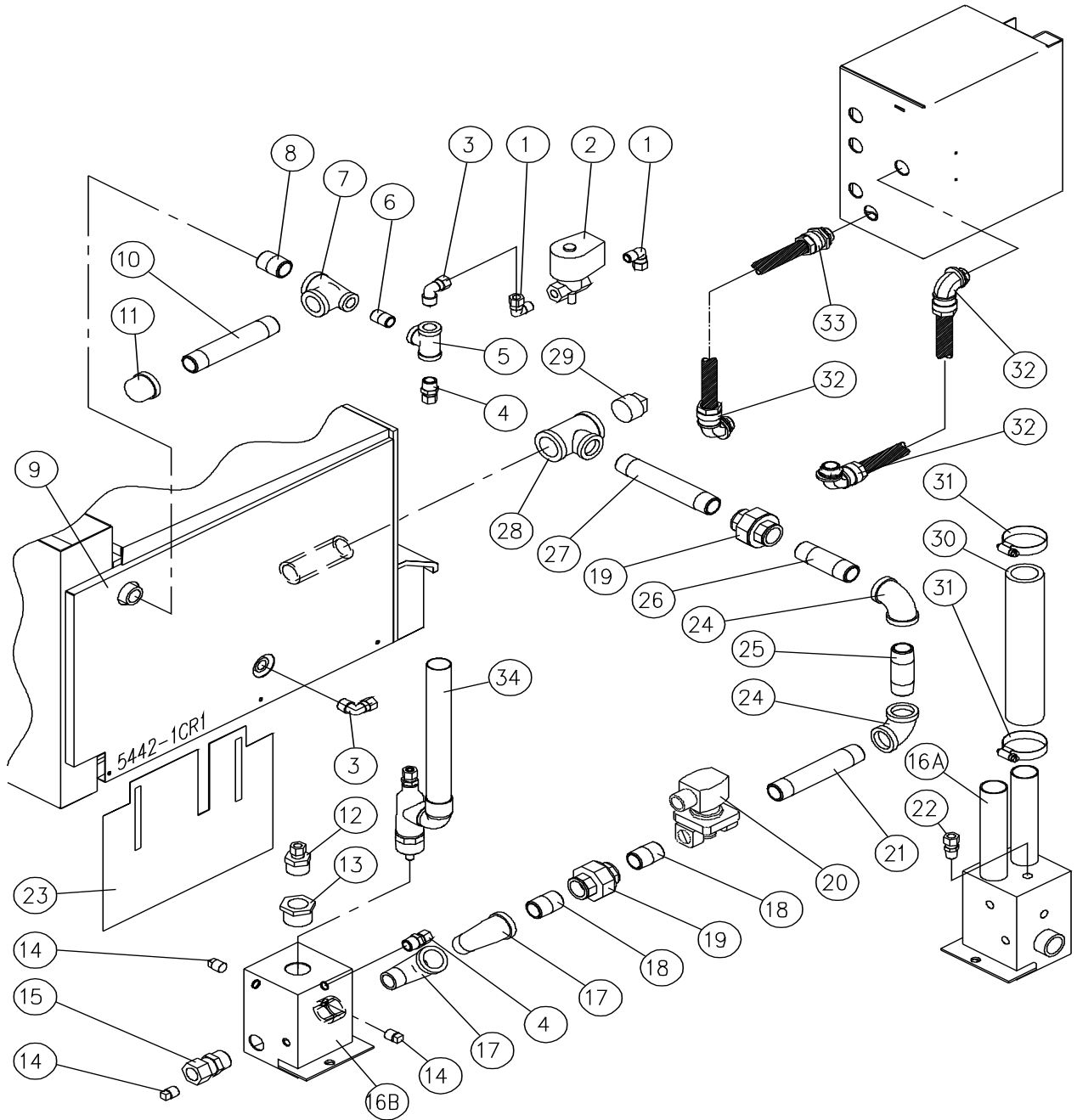
PARTS LIST, GAS BOILERS, MODELS CG214 (E), CG220 (E)

<u>ITEM</u>	<u>PART NO.</u>	<u>DESCRIPTION</u>	<u>CG140</u>	<u>CG200</u>
20.	9012-3	Street Elbow, 1/2"	1	1
21.	9-3178	Right Hand Side Panel	1	1
22.	5231-1	Drain Tube Assembly, Level Control	1	1
23.	9010-072	Nipple, 3/4 x 7-1/4	1	1
24.	9218-2	Elbow, 3/4, 45°	1	1

* NOT SHOWN.

PARTS LIST, GAS BOILERS, MODELS CG214 (E), CG220 (E)

FIGURE 4



PARTS LIST, GAS BOILERS, MODELS CG214 (E), CG220 (E)

FIGURE 4

<u>ITEM</u>	<u>PART NO.</u>	<u>DESCRIPTION</u>	<u>CG140</u>	<u>CG200</u>	
1.	3-696B	Elbow, 3/8C x 1/4 MPT	2	2	
2.	9306-1	Over Ride Solenoid	1	1	
3.	3-696C	Elbow, 3/8C x 3/8 MPT	2	2	
4.	3-686C	Connector, 3/8C x 3/8 MPT	2	2	
5.	9013-2	Tee, 3/8"	1	1	
6.	9091-000	Close Nipple, 3/8"	1	1	
7.	9013-8	Reducer Tee, 3/4 x 3/8 x 3/4	1	1	
8.	9090-000	Close Nipple, 3/4 Brass	1	1	
9.	9-3177	Left Hand Side Panel	1	1	
10.	9090-054	Nipple, 3/4 x 5-1/2 Brass	1	1	
11.	9067-2	Pipe Cap, 3/4"	1	1	
12.	3-686E	Connector, 3/8C x 3/4 MPT	1	1	
13.	9033-1	Reducer Bushing, 1 x 3/4	1	1	
14.	9035-2	Square Plug, 1/4"	2	2	
15.	3-6812E	Connector, 3/4C x 3/4 MPT	1	1	
**	16A.	6474-1	Appliance Drain (Pressure-less)	1	1
	16B.	6475-1	Appliance Drain (Pressure)	1	1
	17.	9012-4	St. Elbow, 3/4"	2	2
	18.	9010-014	Nipple, 3/4 x 1-1/2"	2	2
	19.	9015-4	Union, 150 # 3/4"	2	2
**	20.	3-BVE0	Ball Valve (Manual Blowdown)	1	1
		3-S567	Blowdown Valve	1	1
	21.	9010-053	Nipple, 3/4 x 5-3/8"	1	1
	22.	3-686B	Connector, 3/8C x 1/4 MPT	1	1

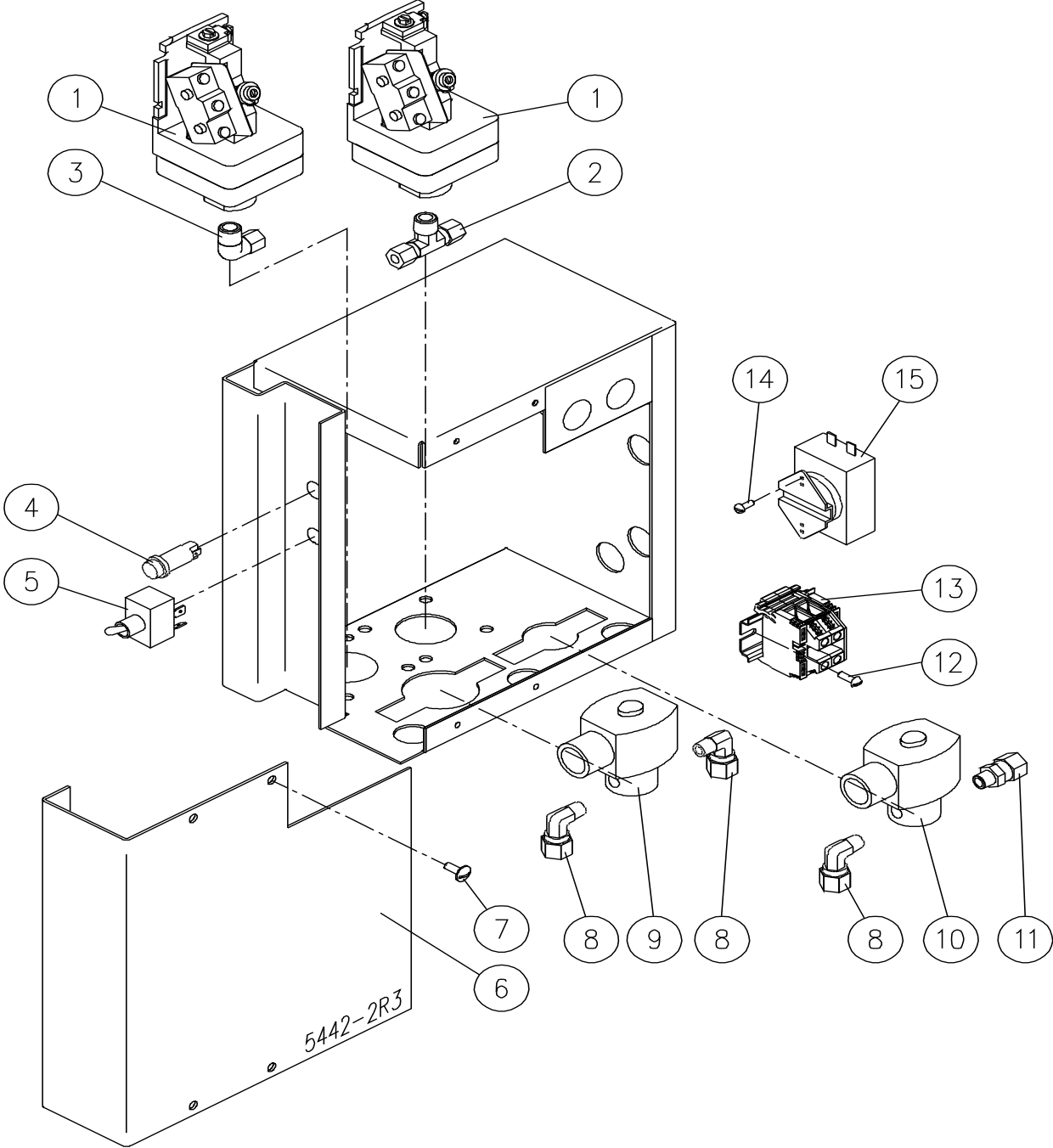
PARTS LIST, GAS BOILERS, MODELS CG214 (E), CG220 (E)

<u>ITEM</u>	<u>PART NO.</u>	<u>DESCRIPTION</u>	<u>CG140</u>	<u>CG200</u>	
23.	3943-1	Baffle Plate	1	1	
24.	9011-4	Elbow, 3/4"	2	2	
25.	9010-027	Nipple, 3/4 x 2-7/8"	1	1	
26.	9010-032	Nipple, 3/4 x 3-1/4"	1	1	
27.	9010-057	Nipple, 3/4 x 5-7/8"	1	1	
28.	9013-11	Tee, 1 x 1 x 3/4	1	1	
29.	9035-6	Square Plug, 1"	1	1	
**	30.	9-3296	Drain Hose, 1-1/4" I.D. x 10"	2	2
		9-3296-1	Drain Hose, 1-1/4" I.D. x 20"	2	2
		9-3296-2	Drain Hose, 1-1/4" I.D. x 15"	2	2
31.	9017-5	Gear Clamp	4	4	
32.	9018-1	Liquid Tite Elbow, 3/8	3	3	
33.	9019-1	Liquid Tite Connector	1	1	
**	34.	8-1255	Exhaust Drain (Pressure)	1	1

** SELECT AS REQUIRED.

PARTS LIST, GAS BOILERS, MODELS CG214 (E), CG220 (E)

FIGURE 5



PARTS LIST, GAS BOILERS, MODELS CG214 (E), CG220 (E)

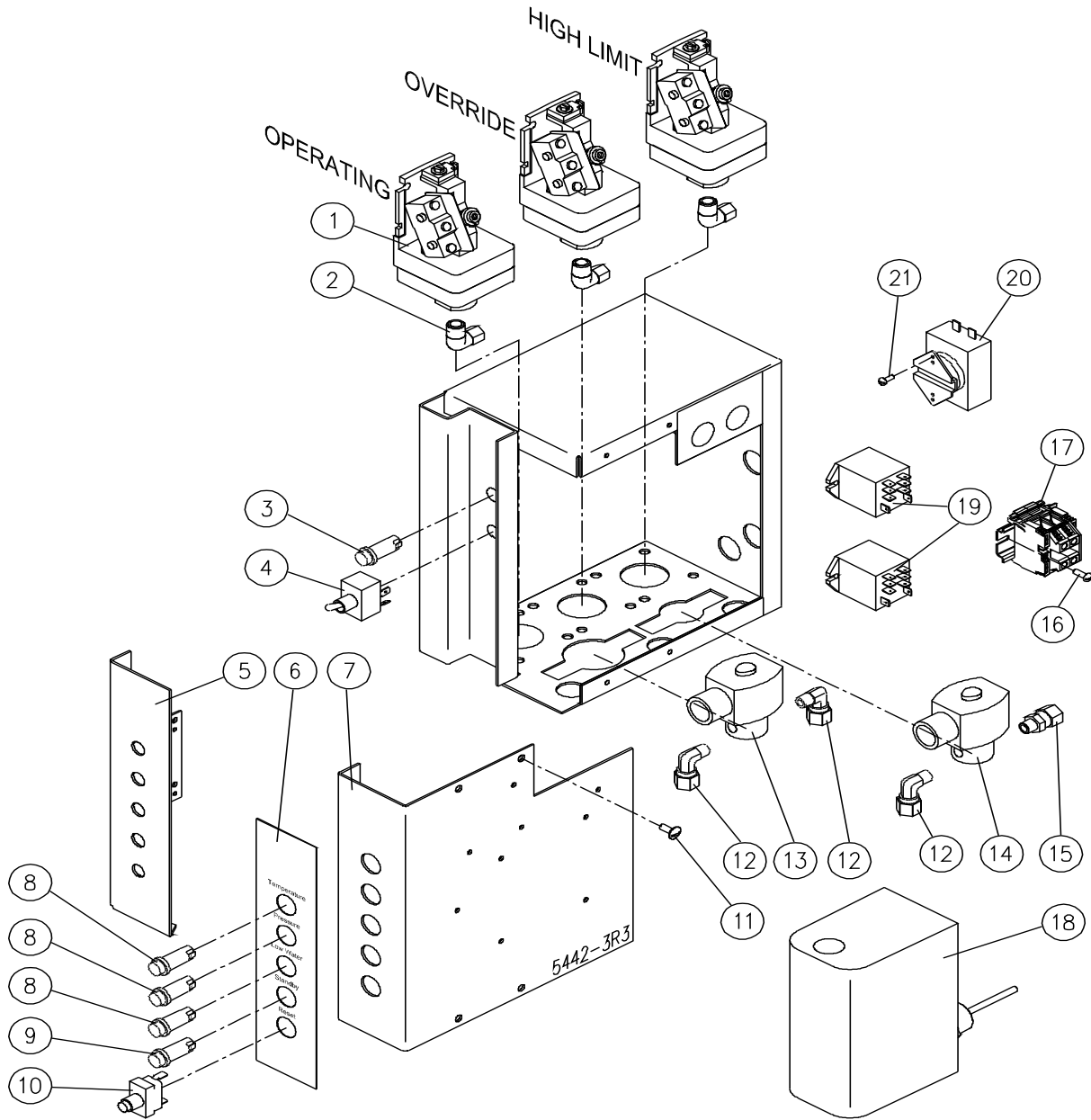
FIGURE 5

<u>ITEM</u>	<u>PART NO.</u>	<u>DESCRIPTION</u>	<u>CG214</u>	<u>CG220</u>
1.	9339-1	Pressure Switch complete with Transducer	2	2
2.	3-724B	Tee, 1/4C	1	1
3.	3-694B	Elbow, 1/4C x 1/4 MPT	1	1
4.	4-PL04	Pilot Light - Green, 125V	1	1
5.	9110-1	Power Switch	1	1
6.	8-1244	Control Box Cover	1	1
7.	M19X-1032-14	Round HD, 10-32 x 1/4	4	4
8.	3-696A	Elbow, 3/8C x 1/8 MPT	3	3
9.	9308-1	Water Fill Solenoid	1	1
10.	9310-1	Cooling Solenoid	1	1
11.	3-686A	Connector, 3/8C x 1/8 MPT	1	1
12.	M19X-832-14	Screw, Round HD, 8-32 x 1/4	4	4
13.	9390-2	Modular Terminal Assembly, 2 Poles	1	1
		Includes the following parts:		
	9391-1	Modular Terminal	2	2
	9392-1	End Plate	1	1
	9393-1	End Clamp	2	2
	9394-053	Mounting Rail, 53 mm	1	1
14.	M23X-632-14	Binding Head, 6-32 x 1/4	2	2
15.	4-TH04	Drain Thermostat	1	1

PARTS LIST, GAS BOILERS, MODELS CG214 (E), CG220 (E)

FIGURE 6

CSD-1 CONTROLS



PARTS LIST, GAS BOILERS, MODELS CG214 (E), CG220 (E)

FIGURE 6

CSD-1 CONTROLS

<u>ITEM</u>	<u>PART NO.</u>	<u>DESCRIPTION</u>	<u>CG214</u>	<u>CG220</u>
1.	9339-1	Pressure Switch complete with Transducer	3	3
2.	3-694B	Elbow, 1/4C x 1/4 MPT	3	3
3.	4-PL04	Pilot Light, Green, 125V	1	1
4.	9110-1	Power Switch	1	1
5.	6582-1	Inner Panel	1	1
6.	6590-1	Decal	1	1
7.	4602-1	Control Box Cover	1	1
8.	4-PL07	Pilot Light - Red, 125V	3	3
9.	4-PL06	Pilot Light - Amber, 125V	1	1
10.	8-6012	Reset Switch	1	1
11.	M19X-1032-14	Screw, Round Head, 10-32 x 1/4	4	4
12.	3-696A	Elbow, 3/8C x 1/8 MPT	3	3
13.	9308-1	Waterfill Solenoid	1	1
14.	9310-1	Cooling Solenoid	1	1
15.	3-686A	Connector, 3/8C x 1/8 MPT	1	1
16.	M19X-832-14	Screw, Round Head, 8-32 x 1/4	4	4
17.	9390-2	Modular Terminal Assembly, 2 Poles	1	1
		Includes the following parts:		
	9391-1	Modular Terminal	2	2
	9392-1	End Plate	1	1
	9393-1	End Clamp	2	2
	9394-053	Mounting Rail, 53 mm	1	1
18.	4-WC80	Low Water Cut Off, Secondary	1	1
	4-WP80	Probe	1	1

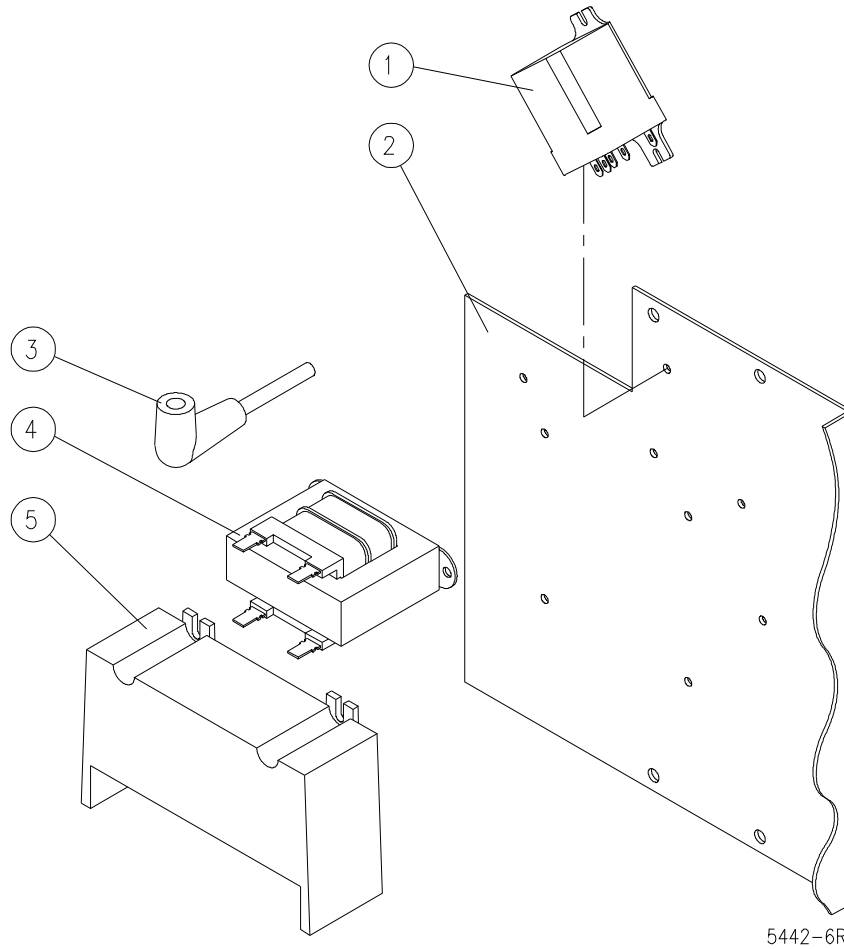
PARTS LIST, GAS BOILERS, MODELS CG214 (E), CG220 (E)

<u>ITEM</u>	<u>PART NO.</u>	<u>DESCRIPTION</u>	<u>CG214</u>	<u>CG220</u>
19.	9332-1	Relay - Double Pole, 120V (Single Pole in Use)	2	2
20.	4-TH04	Drain Thermostat	1	1
21.	M23X-632-14	Screw, Binding Head, 6-32 x 1/4	2	2

PARTS LIST, GAS BOILERS, MODELS CG214 (E), CG220 (E)

FIGURE 7

ELECTRONIC IGNITION PARTS



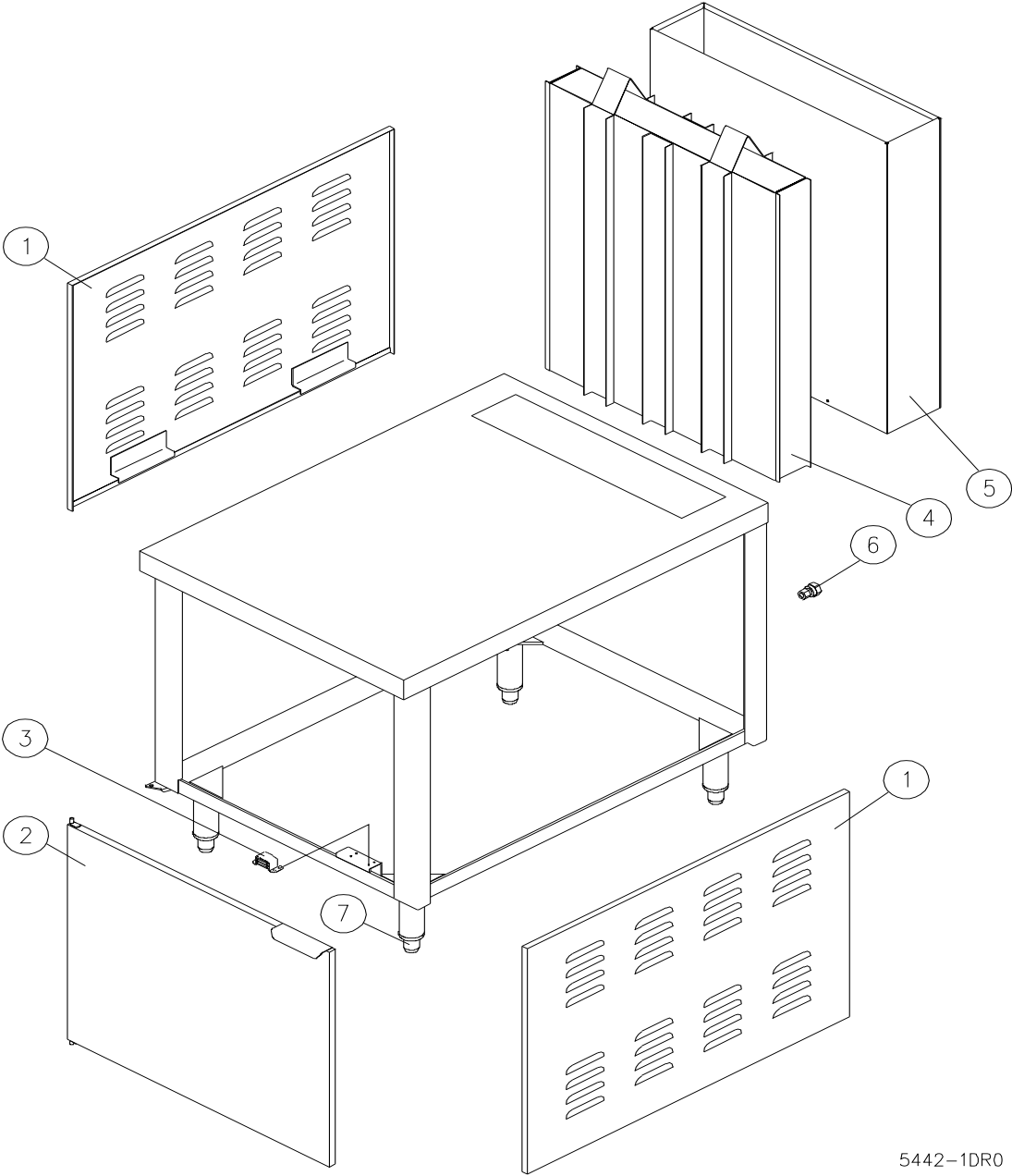
5442-6R0

<u>ITEM</u>	<u>PART NO.</u>	<u>DESCRIPTION</u>	<u>QUANTITY</u>	
1.	4-RL55	Relay	1	
2.	4135-1	Control Box Cover	1	
3.	5169-1	Ignition Cable	1	
**	4.	9-3383	Transformer, 120V-24V, 60 Hz	1
		9123-1	Transformer, 230-24V, 50/60 Hz, 50VA	1
	5.	9210-2	Ignition Module	1

** SELECT AS REQUIRED.

FIGURE 8

CABINET



5442-1DR0

PARTS LIST, GAS BOILERS, MODELS CG214 (E), CG220 (E)

FIGURE 8

24" CABINET

<u>ITEM</u>	<u>PART NO.</u>	<u>DESCRIPTION</u>	<u>QUANTITY</u>	
1.	3563-1	Side Panel	2	
2.	3373-1	Cabinet Door	1	
3.	5-MC02	Magnet Catch	1	
*	1-11C2	Pan Head Screw, 6 - 32 UNC x 1/4	4	
**	4.	2242-1	Flue (CG-214, GCX-2-140)	1
		2242-2	Flue (GCX-2-140 with 5" riser)	1
		2418-1	Flue (CG-220, GCX-2-200)	1
		2418-2	Flue (GCX-10)	1
**	5.	3377-1	Flue Cover (GCX-2-140, CG140, CG200)	1
		3938-1	Flue Cover (GCX-10)	1
	6.	3-666D	Water Connection, 3/8C x 1/2 FPT	1

* NOT SHOWN.

** SELECT AS REQUIRED.

PARTS LIST, GAS BOILERS, MODELS CG214 (E), CG220 (E)

CABINET 28" HEIGHT

<u>ITEM</u>	<u>PART NO.</u>	<u>DESCRIPTION</u>	<u>CABINET WIDTH</u>			
			<u>24"</u>	<u>36"</u>	<u>48"</u>	
1.	3563-1	Side Panel	2	2	2	
**	2.	3373-1	Door	1		
	8-1303	Right Hand Door (3204-1)		1		
	8-1304	Left Hand Door (3209-1)		1		
	9-3368-1	Right Hand Door			1	
	9-3369-1	Left Hand Door			1	
3.	5-MC02	Magnetic Catch	1	2	2	
*	1-11C2	Catch Screws, Pan Head, 6-32 x 1/4	4	8	8	

* NOT SHOWN.

** SELECT AS REQUIRED.

PARTS LIST, GAS BOILERS, MODELS CG214 (E), CG220 (E)

CABINET 32" HEIGHT

<u>ITEM</u>	<u>PART NO.</u>	<u>DESCRIPTION</u>	<u>CABINET WIDTH</u>						
			<u>24"</u>	<u>36"</u>	<u>42"</u>	<u>44"</u>	<u>48"</u>	<u>60"</u>	
1.	3563-2	Side Panel	2	2	2	2	2	2	
**	2.	8-1932-1	Door	1					
		8-1303-1	Right Hand Door		1				
		8-1304-1	Left Hand Door		1				
		9-3368-6	Right Hand Door			1			
		9-3369-5	Left Hand Door			1			
		9-3368	Right Hand Door				1		
		9-3369	Left Hand Door				1		
		9-3368-5	Right Hand Door					1	
		9-3369-4	Left Hand Door					1	
		9-3368-3	Right Hand Door						1
		9-3369-3	Left Hand Door						1
		9-3368-4	Centre Door						1
	3.	5-MC02	Magnetic Catch	1	2	2	2	2	3
*		1-11C2	Catch Screws, Pan Head, 6-32 x 1/4	4	8	8	8	8	12

* NOT SHOWN.

** SELECT AS REQUIRED.