



FOOD EQUIPMENT

SERVING THE FOOD INDUSTRY SINCE 1951

PAINTED STEEL CHARCOAL BBQ GRILLS

Items: 47309, 47310, 47311, 47312, 47313, 47314

**ENJOY COOKING AND GRILLING
YOUR SIGNATURE MEATS, KEBABS,
AND VEGETABLES OUTSIDE
WITH OMCAN'S PAINTED STEEL
CHARCOAL BBQ GRILLS!**



WARRANTY



Authorized Dealer

TECHNICAL SPECIFICATIONS

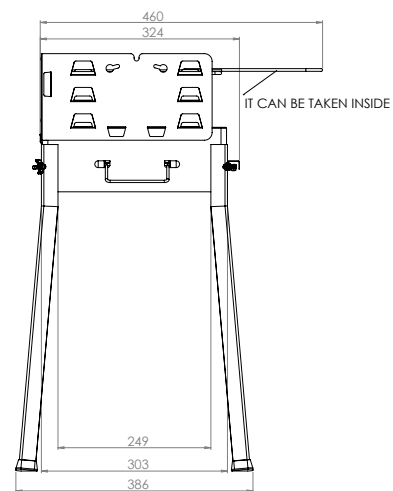
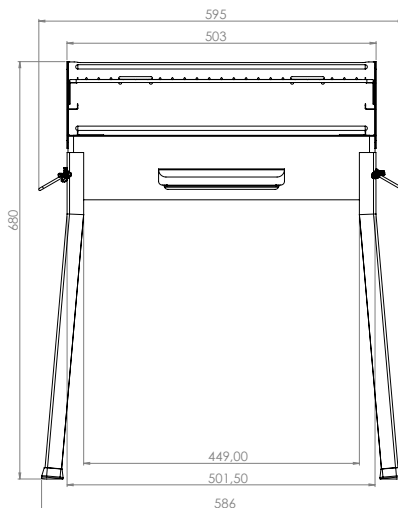


Painted Steel Charcoal BBQ Grill

Item	47309
Model	CE-IT-0127
Cooking Area	19.7" x 11.8"
Weight	30.9 lbs / 14 kg
Dimensions	22.4" x 14.2" x 26.8"
Gross Dimensions	20.1" x 12.2" x 4.7"

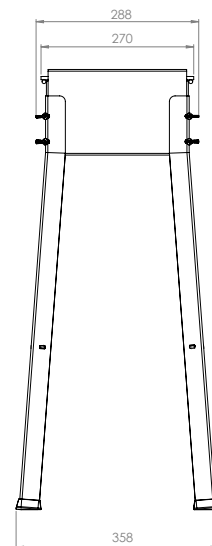
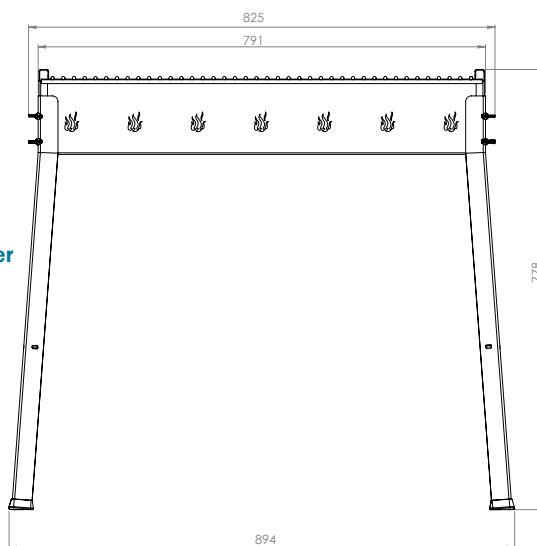
TECHNICAL DRAWINGS & DIMENSIONS

*measurements in diagrams are in mm



Painted Steel Charcoal BBQ Grill with Stainless Steel Brazier

Item	47310
Model	CE-IT-0291
Cooking Area	29.5" x 11.8"
Weight	24.3 lbs / 11 kg
Dimensions	31.5" x 12.6" x 31.5"
Gross Dimensions	30.3" x 11.8" x 5.9"



OMCAN INC.

Telephone: 1-800-465-0234
 Fax: (905) 607-0234
 Email: sales@omcan.com
 Website: www.omcan.com



Follow us to keep up to date with the latest news and offers



TECHNICAL SPECIFICATIONS

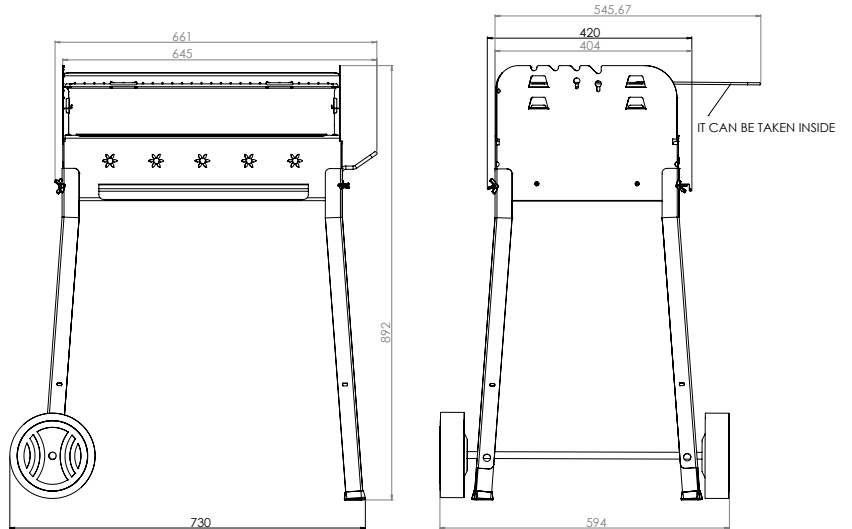


Painted Steel Charcoal BBQ Grill with Stainless Steel Brazier, Panel & 2 Wheels

Item	47311
Model	CE-IT-0156
Cooking Area	22.8" x 14.6"
Weight	19.8 lbs / 9 kg
Dimensions	27.6" x 18.9" x 33.1"
Gross Dimensions	23.2" x 15.4" x 6.7"

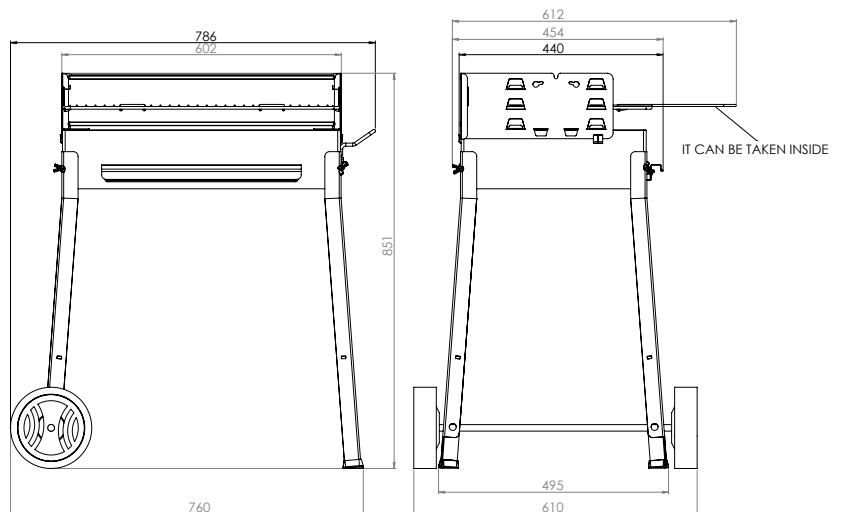
TECHNICAL DRAWINGS & DIMENSIONS

*measurements in diagrams are in mm



Painted Steel Charcoal BBQ Grill with 2 Wheels

Item	47312
Model	CE-IT-0128
Cooking Area	23.6" x 15.7"
Weight	23.1 lbs / 10.5 kg
Dimensions	27.6" x 16.1" x 31.5"
Gross Dimensions	24.4" x 16.5" x 5.5"



OMCAN INC.

Telephone: 1-800-465-0234
 Fax: (905) 607-0234
 Email: sales@omcan.com
 Website: www.omcan.com



Follow us to keep up to date with the latest news and offers



TECHNICAL SPECIFICATIONS

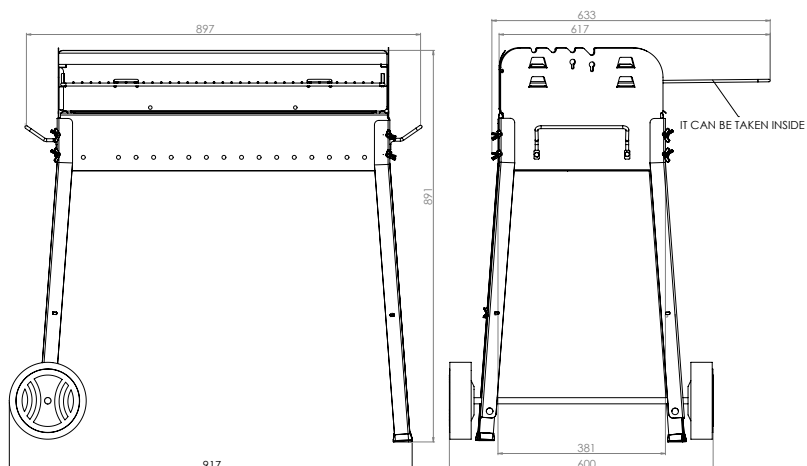


Painted Steel Charcoal BBQ Grill with Double Brazer & 2 Wheels

Item	47313
Model	CE-IT-0154
Cooking Area	29.5" x 14.6"
Weight	33.1 lbs / 15 kg
Dimensions	34.6" x 18.9" x 37"
Gross Dimensions	30.7" x 15.7" x 6.3"

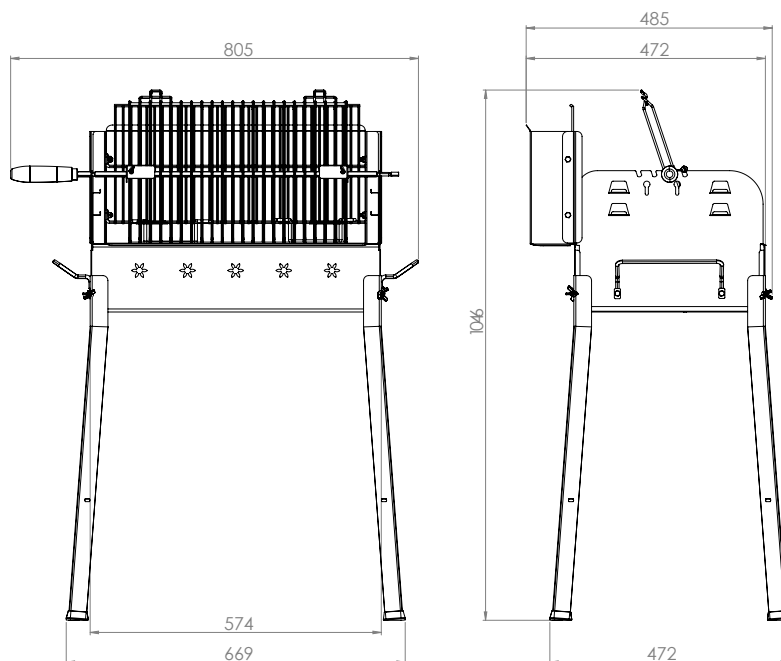
TECHNICAL DRAWINGS & DIMENSIONS

*measurements in diagrams are in mm



Painted Steel Charcoal BBQ Grill with Stainless Steel Double Grid & Central Rod for Vertical Cooking

Item	47314
Model	CE-IT-0155
Cooking Area	22.8" x 14.6"
Weight	29.8 lbs / 13.5 kg
Dimensions	40.2" x 20.1" x 39.4"
Gross Dimensions	23.6" x 15.7" x 9.1"



OMCAN INC.

Telephone: 1-800-465-0234
 Fax: (905) 607-0234
 Email: sales@omcan.com
 Website: www.omcan.com



Follow us to keep up to date with the latest news and offers

