

## Type: Rectangular Stone Hearth Oven

### Model: REC2080

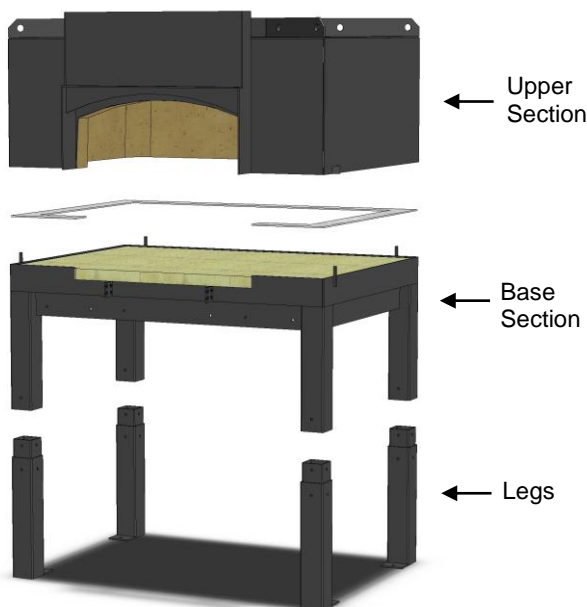
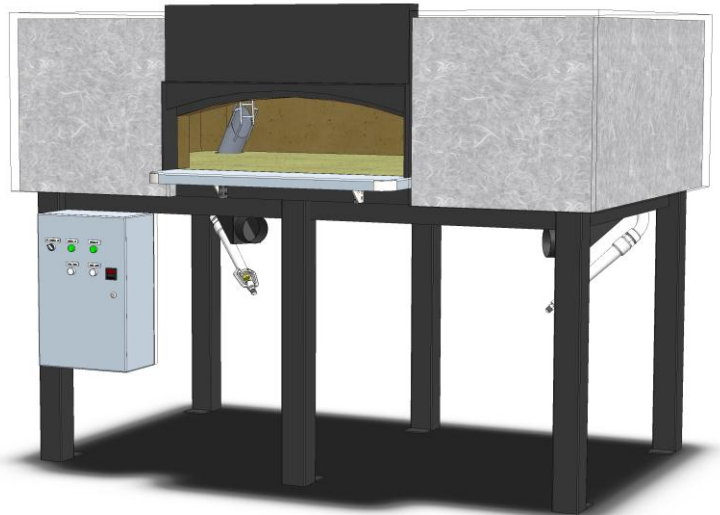
The Beech REC2080 Stone Hearth Oven is manufactured from a high grade castable ceramic material and completely enclosed in a housing of 5mm (1/4") mild steel. This mild steel outer casing and incorporated lifting hooks make installation easy which reduces potential damage to the oven. The inside measurements of the oven are 2080mm (82") x 1175mm (46") with a 2.43m<sup>2</sup> (26.19ft<sup>2</sup>) cooking surface. This style of oven can be fired using wood, gas back-up or full gas.

The spectacular performance of a Beech Oven is a result of the huge thermal mass of the unique ceramic cast interior. Beech Ovens have **TWICE** the mass (*thermal mass*) of any other pre-cast oven on the market. The unique oven design results in superior cooking performance and exceptional thermal efficiency.

The cooking surface of the oven (*stone hearth*) is constructed using high quality 75mm (3") thick Fire bricks, renowned for their excellent cooking attributes and incredible wear resistance. The use of bricks eliminates the unsightly cracking associated with one piece floors. The bricks sit upon a 25mm (1") VF insulating board and a further 5mm (1/4") reinforced mild steel base.

The unique three (3) piece oven design allows all Beech Ovens to be installed through a standard 700mm (27.5") doorway. All Beech Ovens can be installed without the use of a crane therefore significantly reducing the costs of installation. The oven body comes with an exclusive 4 year guarantee.

The oven can be installed within 75mm (3") (*including 50mm (2") of insulating wool and 25mm (1") air gap*) of non-combustible material (*check local building and fire codes*). The oven exhausts through a spigot above the oven mouth. The oven must be vented in accordance with local and/or national codes. Refer to "Duct Design Options" for more information, refer to the Installation and Operation Manual located on our website [www.beechovens.com](http://www.beechovens.com)  
Allow 600mm sq (24" x 24") ventilation into the underside of the oven for secondary air to the gas burner (*if applicable*).



### Unique Features

Wood or thermostatically controlled gas system.  
Easy installation into most areas (*three (3) piece assembly*).  
Stainless steel plug door for oven mouth.  
Any gas type – Specify at order time.

### Optional Accessories

- Internal spotlight.
- Viewing window available in any location.
- Various shape/design facades and Stainless Steel Hearths.
- Thermostatically controlled Display burner.
- Exhaust Fan/Hood.
- Stainless Steel pizza tools.
- Service panels/hearth/lintel extensions.

### Approximate Pizza Capacity Per Hour

At 250°C (482°F) floor temperature the oven will cook:

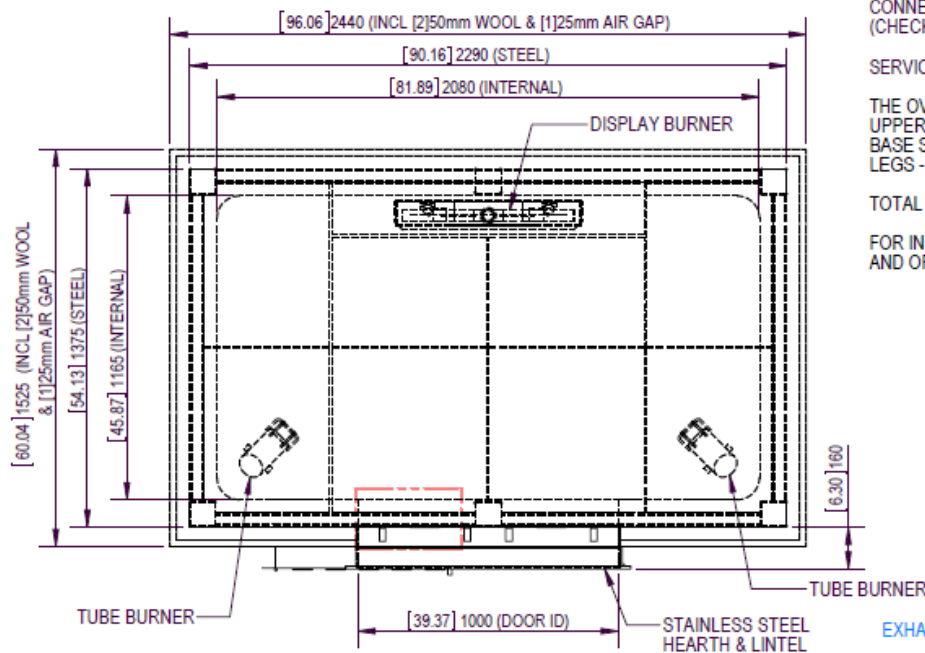
Size	200mm (8")	250mm (10")	300mm (12")	400mm (16")
Pizza / hour	460	265	216	110



Intertek  
ANSI Z83  
CSA 1.8



Intertek  
ANSI/NSF-4



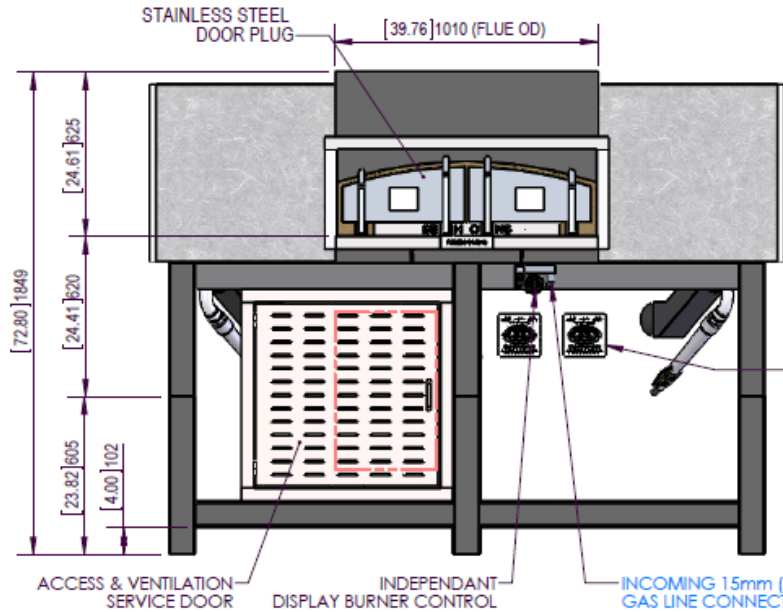
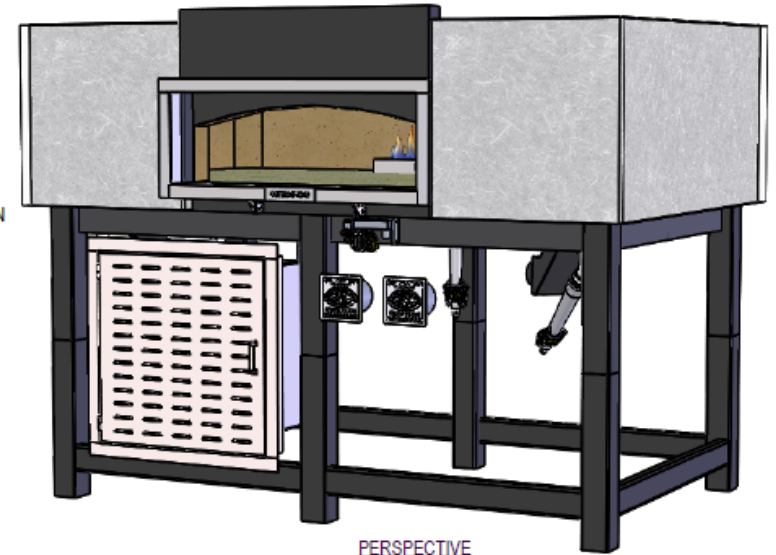
NOTES:  
CONNECTION TO APPROVED FLUE/DUCTING REQUIRED  
(CHECK LOCAL CODES AND REGULATIONS)

SERVICES REQUIRED - SEE BLUE TEXT

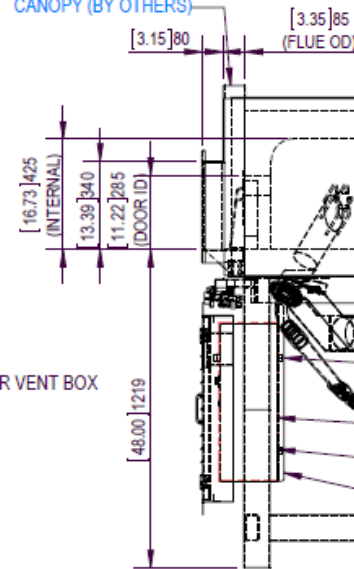
THE OVEN IS DELIVERED IN THREE (3) SECTIONS:  
UPPER SECTION - Approx 1425kg (3135 lbs)  
BASE SECTION - Approx 765kg (1683 lbs)  
LEGS - Approx 10kg (22lbs) EACH

TOTAL PACKED WEIGHT = Approx 2450kg (5390 lbs)

FOR INSTALLATION INSTRUCTIONS SEE INSTALLATION AND OPERATION MANUAL



EXHAUST UNDER APPROVED CANOPY (BY OTHERS)



- CONNECT TO TUBE BURNER VENT BOX IN FRONT FACADE (FITTINGS SUPPLIED BY BEECH) SEE INSTALLATION AND OPERATION MANUAL FOR DETAILS
- OUTGOING GAS CONNECTION POINT (TO BURNER(S))
- ELECTRICAL CONNECTION POINT (120VAC @ 60Hz 10 AMP 1 PHASE)
- INCOMING 2 X 19mm (3/4") GAS LINE CONNECTION POINT 2x (80mj / 75825 BTU [NAT & LPG] TUBE BURNER)
- GAS CONTROL CABINE TYPICAL LOCATION (BEECH RECOMMENDS A MAX [7ft] 2100mm FROM BURNER VENTURI)

0	ISSUED FOR CONSTRUCTION		
REV.	DESCRIPTION OF CHANGES	DATE	CHANGED BY

LAST EDITED: Tuesday, 12 January 2016 10:08:28 AM

©Copyright 2015 Beech Ovens Pty Ltd. All rights reserved.



Drawn	M. WEBB	Checked		Scale	1:20	Date	12/01/2016	
CUSTOM RECTANGULAR OVEN REC2080_FG_MANUAL DISP BURNER DETAILS								A3
JD00108-1000 - DETAILS							NTS - SITE MEASURE	