



Item No. _____

Project _____

Quantity _____

Electric, Counter Model Griddles, Extended Depth Model: 124,136,148,160,172 [ZTD, ZTDC, ZSD, ZSDC]



Model 136ZTD

SIZING AND PERFORMANCE GUIDE

Model	Width	Plate Depth (in.)	Controls	Approx. KW Input*
<input type="checkbox"/> 124	24	30	2	12-kW
<input type="checkbox"/> 136	36	30	3	18-kW
<input type="checkbox"/> 148	48	30	4	24-kW
<input type="checkbox"/> 160	60	30	5	30-kW**
<input type="checkbox"/> 172	72	30	6	36-kW**

* 6-kW per foot of griddle

** Total power input, two power connections required

SHORT/BID SPECIFICATION

Griddle shall be a LANG Manufacturing Model 124, 136, 148, 160, 172___ with: standard ACCU-TEMP Snap-action Thermostat Controls or SELECTRONIC Solid State Controls [S], for every 12" of griddle width there shall be one foot of Incoloy sheathed heating elements, pressure clamped to plate bottom; 1" thick polished cooking surface, with 5-1/2" high side and back splash and full front 1" deep X 3-1/2" wide grease trough; and all the features listed and the options/accessories checked:

STANDARD PRODUCT WARRANTY

- Three year parts & labor
- 5 year guarantee on chrome plated surfaces when ordered

CONSTRUCTION FEATURES

- 1" thick precision machined, polished steel cooking surface
- Continuously bottom welded 5-1/2" high rear & side splash shields
- Full front 3-1/2" wide X 1" deep stainless steel grease trough
- 8 quart capacity grease drawer, with removable fully enclosed sleeve
- All stainless steel base cabinet construction
- 4" adjustable legs provided [Stand option available]

PERFORMANCE FEATURES

- Thick griddle plate reduces hot & cold spots and retains heat
- Highly polished surface and continuously welded splash and grease trough speed cleanup
- Heating elements Incoloy sheathed for long life
- Elements are pressure clamped to bottom of griddle plate for more even heating
- Recessed control panel protects control knobs
- Accurate temperature control

CONTROL PACKAGE

- ACCU-TEMP™ Thermostat Controls [Standard]**
 - Snap-action thermostats
 - Independent temperature control every 12"
 - Power-to-element pilot lights for each control
 - 200° to 550°F temperature
- SELECTRONIC™ Solid State Controls [-S]**
 - Area sensitive Resistance Temperature Detector system
 - RTD probe reacts to a 1°F temperature change
 - Control for every 12" of cook surface
 - 175° to 450°F temperature control

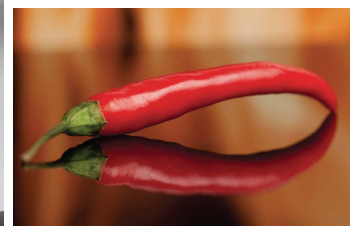
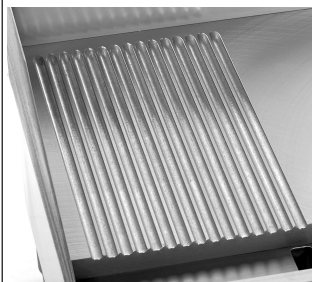
PLATE OPTIONS

Custom Grooving

Specified in 12" increments, from left to right.

Chrome Plate

Ultra-tough 1-inch thick T1 steel with 2 mil thick hexavalent chrome plating.



Sheet No. LSP-GD2 (rev. 10/16)

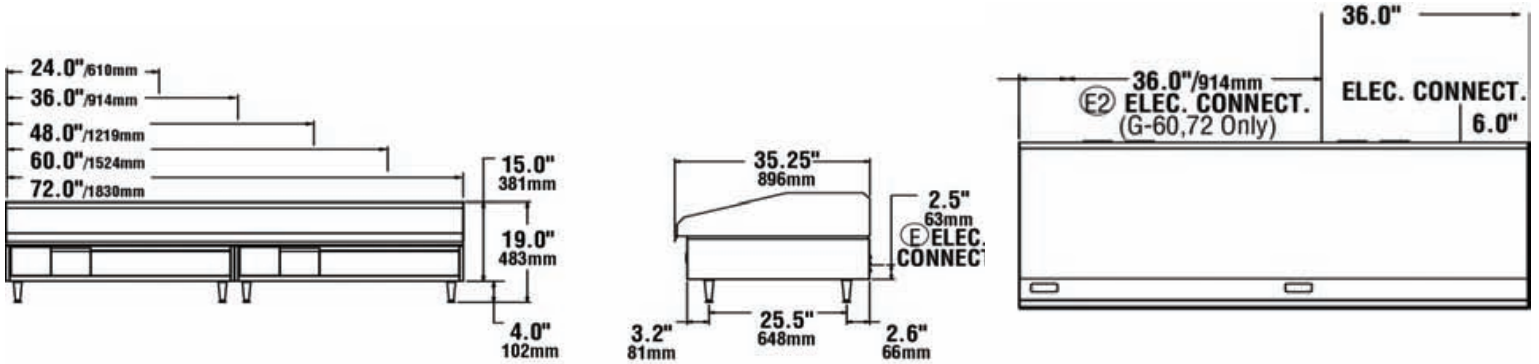


Sheet No. LSP-GDZD (rev. 10/16)

Electric, Counter Model Griddles, Extended Depth Model: 124,136,148,160,172 [ZTD, ZTDC, ZSD, ZSDC]

INSTALLATION REQUIREMENTS

- ⓔ 208V, 3-phase, field convertible to 240V or 1-phase;
- ⓔ1 ⓔ2 Two electric connections required for 60 & for 72" wide units



All models
[Front View/Elevation]
Width varies with model

All Models
[Right Side View]

All Models
[Top View/Plan]
160, 172 require 2 ⓔ connections

Model	Height x Width x Depth (Not including legs)	Clearance from combustible surface	Weight		Freight Class
			Actual	Shipping	
124	16.57" x 24.0" x 35.25" 421mm x 610mm x 892mm	Sides: 2" Back: 2"	310 lbs. 141 kg	350 lbs. 159 kg	85
136	16.57" x 36.0" x 35.25" 421mm x 914mm x 892mm		430 lbs. 195 kg	470 lbs. 213 kg	85
148	16.57" x 48.0" x 35.25" 421mm x 1219mm x 892mm		560 lbs. 254 kg	620 lbs. 281 kg	85
160	16.57" x 60.0" x 35.25" 421mm x 1524mm x 892mm		700 lbs. 318 kg	760 lbs. 345 kg	85
172	16.57" x 72.0" x 35.25" 421mm x 1830mm x 892mm		830 lbs. 376 kg	900 lbs. 408 kg	85

Model	Total kW	Maximum AMP Per Line			
		208V/3-Phase	240V/3-Phase	208V/1-Phase	240V/1-Phase
124	12.0	50.0	43.3	57.7	50.0
136	18.0	50.0	43.3	86.5	75.0
148	24.0	75.0	65.0	115.2	100.0
160	30.0 [12/18]*	50.0	43.3	86.5	75.0
172	36.0 [18/18]*	50.0	43.3	86.5	75.0

* Load split for the two power connections required.

CAD SYMBOLS & PRICING



Due to continuous improvements, specifications subject to change without notice.



LANG MANUFACTURING • 10 SUNNEN DR. ST. LOUIS, MO 63143
PHONE: 314-678-6315 • FAX: 314-781-5445 • www.langworld.com