

SOMERSET®

Tel: 978.667.3355

800.772.4404

Fax: 978.671.9466

Email: somerset@smrset.com

www.smrset.com



CDR-2100

DOUGH ROLLER

IDEAL FOR PIZZA AS WELL AS:

- Pita Bread
- Pie Crusts
- Roti
- Flour Tortillas
- Cookies
- Sheeting
- Sweet Doughs
- Calzones
- Cinnamon Rolls
- Pierogi
- Rolled In Dough

HIGHLIGHTS

- Sheets 500-600pcs.
per hour up to 20" (51cm)
- Ships standard with
synthetic, non-stick rollers
- Ergonomic design makes it
easy and simple to operate
- Sheets dough to a uniform
thickness in seconds
- All stainless steel
construction offers safety,
sanitation, speed, simplicity,
durability, and low cost



Efficient, side operate compact dough roller. Sheets dough up to 20" (51cm) in diameter in seconds

SOMERSET INDUSTRIES, INC • 137 PHOENIX AVE • LOWELL, MA 01852 • U.S.A.

CDR-2100 SYNTHETIC ROLLERS

CDR-2100M METALLIC ROLLERS

FEATURES

- The most advanced **SIDE OPERATED** compact sheeter
- Spring loaded scrapers readily removable for easy cleaning
- Compact design, ideal for use in limited space
- Safety sensors for automatic shutoff
- Ergonomic design for easy operation
- Convenient side operation
- Large hopper accepts large pieces of dough
- Maintenance free drive mechanism
- Drive mechanism isolated from roller area
- Safe, simple, easy to operate, easy to clean
- Sanitary, heavy duty, all stainless steel welded construction
- Simple handle adjustments for exact uniform dough thickness
- Thickness stops available

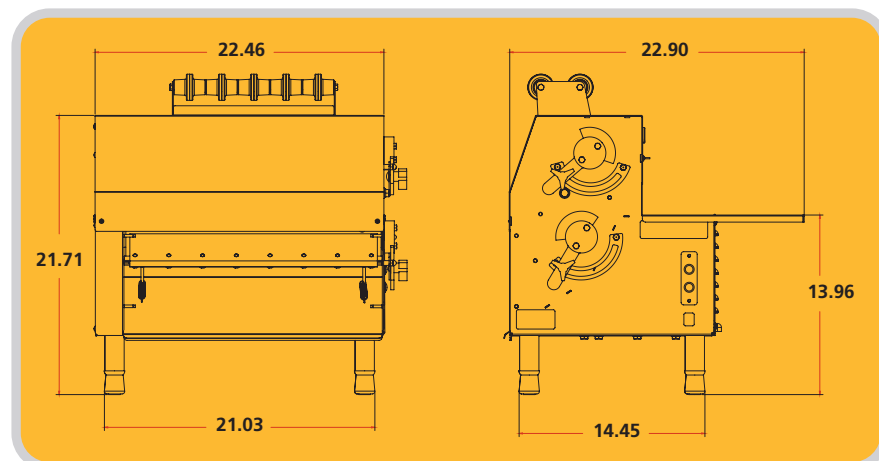


INDUSTRY USES:

- Pizzerias
- Restaurants
- Institutions
- Schools
- Mexican establishments
- Other ethnic food production
- Indian Establishments
- Cafes
- Bakeries

SPECIFICATIONS PATENT PENDING

(Specifications subject to change without notice)



Rollers: 3.5" dia. by 20" length
(8.89 cm dia. by 50.80 cm length)

Scrapers: Synthetic, Spring Loaded,
Removable

Bearings: Sealed Ball Bearings,
Permanently Lubricated

Gear Motor: Heavy Duty 3/4 HP,
Maintenance Free, Single Phase,
115V/60Hz or 220V/50Hz

Finishing: All Stainless Steel

Legs: 4" Adjustable, Stainless Steel

Shipping Weight: 210 lbs (95kgr)



APPROVED