



Project \_\_\_\_\_  
 Item # \_\_\_\_\_  
 Quantity \_\_\_\_\_

## Electric Countertop Deep Fryers

Models: EFS-16 and EFT-32

Countertop fryers are a great, easy addition to any food service operation. Great for chicken, fries, onion rings, tempura, shrimp, vegetables and more!

### Standard Features

- ◆ Quick Heating – Powerful heating elements ensure fast heating and temperature recovery
- ◆ Commercial-Grade – Stainless steel body and heavy-duty heating elements designed to withstand daily use in commercial foodservice applications
- ◆ Easy Clean – Power head(s) and steel fry wells remove for easy cleaning
- ◆ Includes fry well cover(s) and commercial fry basket(s) with safe and secure handle
- ◆ EFS-16: 16 lb oil capacity  
8 liters = 16 lbs = 2.11 gallons
- ◆ EFT-32: 32 lb oil capacity  
2 x 8 liters (16 liters combined) =  
32 lbs; total = 4.22 gallons
- ◆ One year parts and labor warranty



### Options & Accessories

EFST-P30	Fry Basket
EHL-2C	3-Position Heat Lamp, Gray
FFBN-2	Winco Prime French Fryer Bagger, Dual Handles, NSF
PFB-10R	Oval Fast Food Basket, Red

**For California Customers**  
**WARNING:** Cancer and Reproductive Harm - [www.P65Warnings.ca.gov](http://www.P65Warnings.ca.gov)

Winco®

[www.winco.us.com](http://www.winco.us.com)

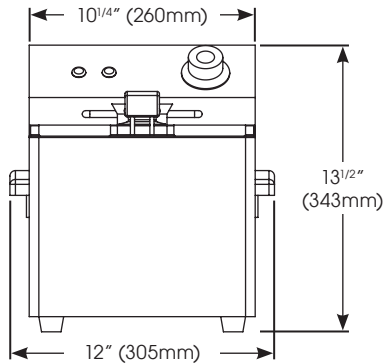
**New Jersey Headquarters & Distribution Center**  
 65 Industrial Road, Lodi, NJ 07644  
 Phone: 1-888-946-2682 | Fax: 1-973-916-9959

**Florida Showroom & Distribution Center**  
 10800 NW 103rd St. Bldg 22, Ste 11, Miami, FL 33178  
 Phone: 1-888-946-2682 | Fax: 1-973-916-9959

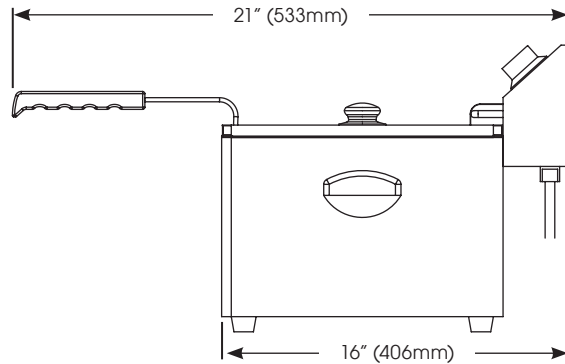
**Nevada Distribution Center**  
 3777 Marion Drive, Las Vegas, NV 89115  
 Phone: 1-888-946-2682 | Fax: 1-973-916-9959

# Winco® Electric Countertop Deep Fryers

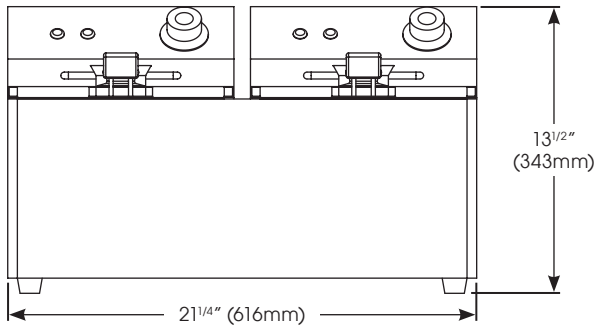
Models: EFS-16 and EFT-32



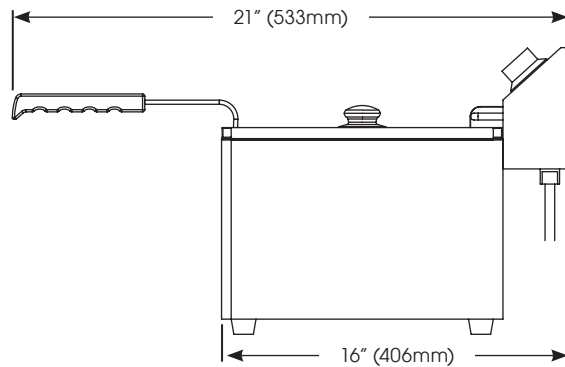
**EFS-16  
Front**



**EFS-16  
Side**



**EFT-32  
Front**



**EFT-32  
Side**

## Specifications

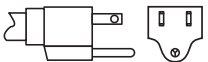
MODEL	DESCRIPTION	OVERALL DIMENSIONS			POWER	PLUG	SHIP WEIGHT
		LENGTH	DEPTH	HEIGHT			
EFS-16	Single Well Fryer	12" (305mm)	16" (406mm)	13-1/2" (343mm)	120V~50/60Hz, 1750W, 14.6A	NEMA 5-15P	19.9 lbs (9.03 kgs)
EFT-32	Double Well Fryer	21-1/4" (616mm)	16" (406mm)	13-1/2" (343mm)	120V~50/60Hz, 1750W, 14.6A (x2)	NEMA 5-15P	34.8 lbs (15.8 kgs)

## Cord Location

On back right side per power head

## Plug Configuration

NEMA 5-15P



## Product Specs

### Electric Countertop Deep Fryers

The Electric Countertop Deep Fryers models EFS-16 and EFT-32 as manufactured by Winco®, Lodi, NJ 07644.

The Electric Countertop Deep Fryers shall be rated for 120V~50/60 Hz at 1750 Watts and supplied with a NEMA 5-15P plug per power head. Units shall be constructed of commercial grade stainless steel with heavy-duty heating elements designed to withstand daily use in commercial foodservice applications and includes fry well cover(s) and commercial fry basket(s) with safe and secure handle. A variable heating knob ensures the deep fryer can be adjusted to the precise temperature needed. The quick heating elements ensure fast heating and temperature recovery. Units are easy clean with removable power head(s) and steel fry wells.

ETL listed for safety (Canada & US) and sanitation.

Warranty consists of one year parts and labor.

Winco®

www.winco.us.com

**New Jersey Headquarters & Distribution Center**  
65 Industrial Road, Lodi, NJ 07644  
Phone: 1-888-946-2682 | Fax: 1-973-916-9959

**Florida Showroom & Distribution Center**  
10800 NW 103rd St. Bldg 22, Ste 11, Miami, FL 33178  
Phone: 1-888-946-2682 | Fax: 1-973-916-9959

**Nevada Distribution Center**  
3777 Marion Drive, Las Vegas, NV 89115  
Phone: 1-888-946-2682 | Fax: 1-973-916-9959