

Project _____

Item Number _____

Quantity _____

SL250RB/SL300RB



SL250RB / SL300RB SILVERLINE Spiral Mixers with Removable Bowl

Models:

- SL250RB: 370 quart (350 Liter) Spiral Mixer
- SL300RB: 423 quart (400 Liter) Spiral Mixer



Spiral Mixer
with Removable Bowl

Features:

- Stainless steel bowl, spiral dough hook, and shaft
- Separate bowl and agitator motors
- Has two speeds and reverse function
- Control board has separate timers for 1st and 2nd speed
- Safety switches protect operator from injury if bowl lid is open
- Powerful belt drive provides low vibration, low noise, and economical maintenance for years of reliable service

Standard Accessories:

- Stainless steel bowl
- Dolly with bowl for 250 or 300 depending on machine
- Electromagnetic hook for bowl

Optional Accessories:

- Extra dolly with bowl

Univex Corporation

Dough Capacity:

SL250RB: 550lb (250kg)
SL300RB: 660lb (300kg)

Dough hook:

1st speed: 95 rpm
2nd speed: 190 rpm

Bowl:

20 rpm

Warranty:

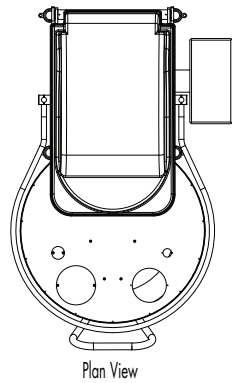
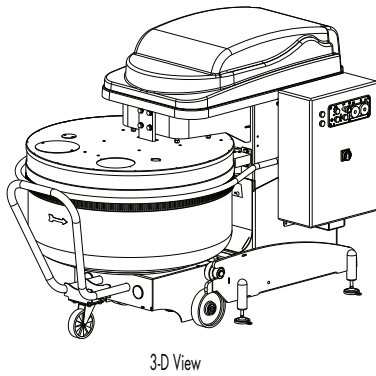
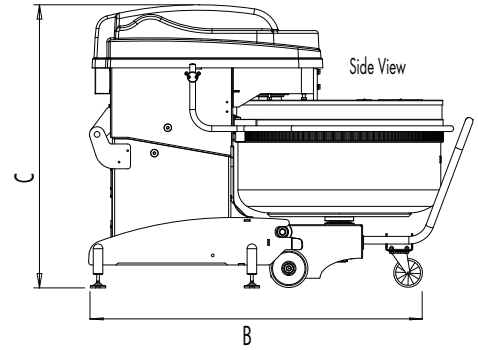
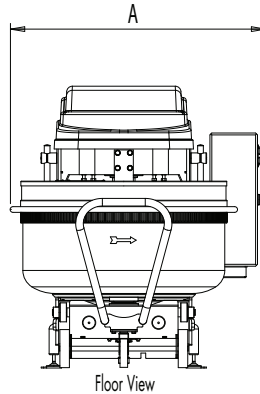
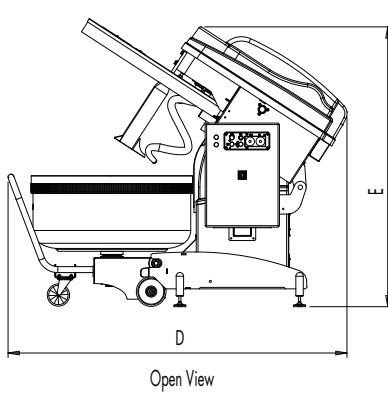
- One year, on-site parts and labor



WE RAISE THE BAR. WE SET THE STANDARD.

SILVERLINE Spiral Mixer with Removable Bowl

SL250RB/SL300RB



Line drawing is the SL300RB

	SL250RB	SL300RB
A	52 7/8" (134.3cm)	52 7/8" (134.3cm)
B	79 1/4" (201cm)	79 1/4" (201cm)
C	58 3/8" (148.1cm)	58 3/8" (148.1cm)
D	89 7/8" (228.1cm)	89 7/8" (228.1cm)
E	76 1/2" (194cm)	76 1/2" (194cm)

Transmission: Heavy duty low noise and low vibration belt drive.

Bowl Guard: Swings open for full access to bowl. Guard must be closed for mixer operation.

Controls: Control panel with digital timers. Separate timers for high and low speed. Security key for manual use. Bowl reverse direction switch.

Plug Info: Hard wire with shutoff

Electrical Information (60Hz)

Model	Voltage	Phase	Spiral hp(kW)	Bowl hp(kW)	Head hp(kW)	Total hp(kW)	Spiral Amps	Bowl Amps	Head Amps	Total Amps
SL250RB	220	3	30 (22)	1 (.75)	1 (.75)	32 (23.5)	79.2	4.48	4.48	88.16
SL250RB Optional Voltage	400	3	30 (22)	1 (.75)	1 (.75)	32 (23.5)	39.6	2.24	2.24	44.08
SL300RB	220	3	30 (22)	1 (.75)	1 (.75)	32 (23.5)	79.2	4.48	4.48	88.16
SL300RB Optional Voltage	400	3	30 (22)	1 (.75)	1 (.75)	32 (23.5)	39.6	2.24	2.24	44.08

Shipping Information

Model	Net Weight	Shipping Weight	Overall Dimensions
SL250RB	2,264 lbs. (1,027Kg)	2,550 lbs. (1,156Kg)	71" (180.3cm) H x 42" (106.7cm) W x 77" (195.6cm) D
SL300RB	2,288 lbs. (1,038Kg)	2,550 lbs. (1,156Kg)	71" (180.3cm) H x 42" (106.7cm) W x 77" (195.6cm) D

*The weight and dimensions of the pallet are included in the weight and dimensions above.



Univex Corporation
www.Univexcorp.com

3 Old Rockingham Rd
Salem, NH 03079
United States of America

INTL TEL: (800)258-6358
TEL: (603)893-6191
INTL FAX: (800)356-5614
FAX: (603)893-1249