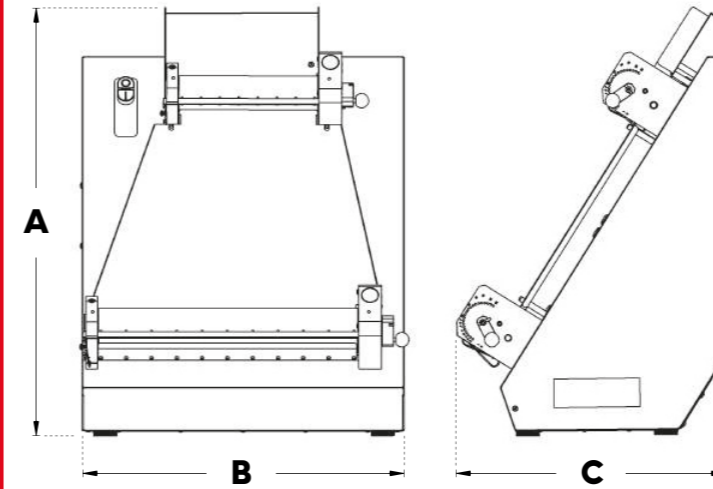


SENOVEN®



DOUBLE PASS DOUGH SHEETERS

SM-30 | SM-30D | SM-40 | SM-40D | SM-45D | SM-50D



MODEL	A	B	C
SM-30	58 cm (22.83")	41 cm (16.14")	45 cm (17.71")
SM-30D	66 cm (25.98")	41 cm (16.14")	45 cm (17.71")
SM-40	71 cm (27.95")	51 cm (20.07")	46 cm (18.11")
SM-40D	75 cm (29.52")	51 cm (20.07")	46 cm (18.11")
SM-45D	74 cm (29.13")	56 cm (22.04")	47 cm (18.50")
SM-50D	74 cm (29.13")	61 cm (24.01")	46 cm (18.11")

Features

- Our models can vary regarding both with their parallel and angled roller groups and roller lengths.
- 2" (50 mm) diameter rollers for dough handling.
- The roller gap can be adjusted up to 0.16" (4.1 mm).
- Perfect for pizza, lahmacun, pide, lavash, pita and tortilla dough.
- Double pass dough sheeters can roll up to 1200 pieces of dough per hour regarding their weight and thickness.
- The machines are produced in accordance with the standards of various countries, especially America and Europe.
- Our dough sheeters, thanks to their dimensions and removable parts, are so easy to set, use, and clean.
- They work silently and vibration-free.
- Fully stainless body and other machine elements pursuant to food norms.
- Limited part and labor warranty terms start after the delivery of the product and the terms are valid for 1 year.

Technical Details	SM-30	SM-30D	SM-40	SM-40D	SM-45D	SM-50D
Net Weight	30.8 kg (67.76 lbs)	30.8 kg (67.76 lbs)	39 kg (85.8 lbs)	39 kg (85.8 lbs)	42.2 kg (92.84 lbs)	45 kg (99 lbs)
Gross Weight	34 kg (74.8 lbs)	34 kg (74.8 lbs)	43.2 kg (95.04 lbs)	43.2 kg (95.04 lbs)	46.6 kg (102.52 lbs)	48.4 kg (106.48 lbs)
Dough Weight	80 - 210 gr (0.17 - 0.46 lbs)	80 - 210 gr (0.17 - 0.46 lbs)	80 - 500 gr (0.17 - 1.10 lbs)	80 - 500 gr (0.17 - 1.10 lbs)	80 - 700 gr (0.17 - 1.54 lbs)	80 - 900 gr (0.17 - 1.98 lbs)
Average Dough Diameter	19 - 29 cm (7.48" - 11.41")	19 - 29 cm (7.48" - 11.41")	26 - 40 cm (10.23" - 15.74")	26 - 40 cm (10.23" - 15.74")	26 - 45 cm (10.23" - 17.71")	33 - 50 cm (12.99" - 19.68")

Electrical Requirements	Total Power	Voltage	Total Current	Phase	Hz
Double Pass Dough Sheeters 110V	0,37 kW (1/2 HP)	110/120 VAC	6,8A	1 Phase	60 Hz
Double Pass Dough Sheeters 230V		220/230/240 VAC	3,2A		50/60 Hz

Istanbul / TÜRKİYE
New Jersey / USA

info@senoven.com
www.senoven.com

+90 (212) 671 23 23
+1 (202) 306 44 63