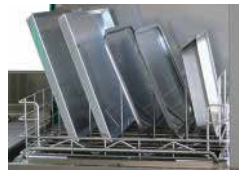


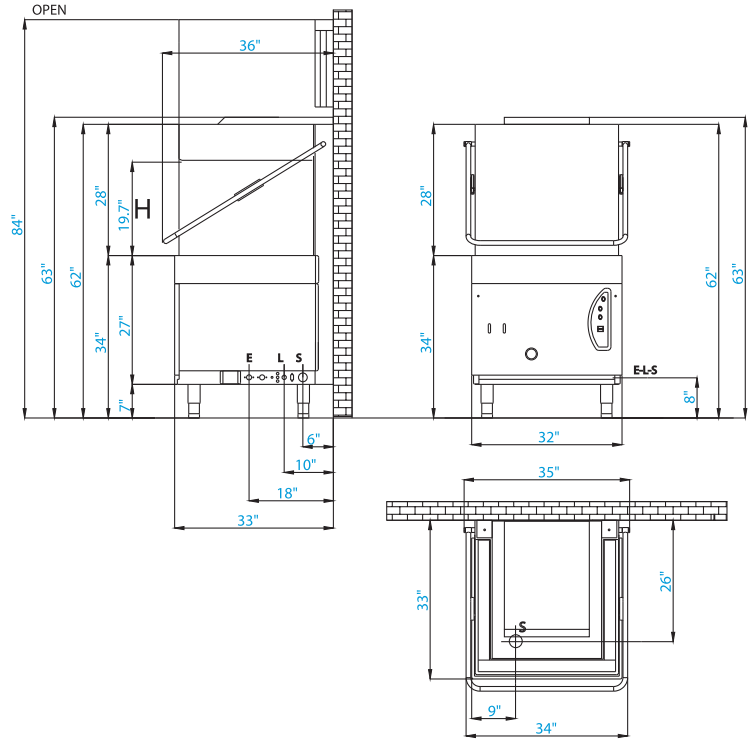
# P800EK

## MULTI-FUNCTION UTENSIL-WASHER

- Soft-Touch Electronic Control Panel with Digital Thermostats
- Stainless Steel Wash Pump
- Upper and Lower Wash and Rinse Arms with Booster Pump
- Wash Height: 19.7"
- Large Handle
- 3 Removable Filters
- Internal components immediately accessible for service requirements
- Removable rack guide for easy cleaning
- Tank with rounded edges and slanted bottom
- Optional: Drain Pump, Linear or Corner Configuration



<b>POWER</b>	208-240V 3PH Hardwire, 10500W, 60Hz, 28A
<b>RINSE-AID DISPENSER</b>	YES
<b>CLEARANCE</b>	19.7"
<b>RACK CAPACITY (L X W)</b>	24.2" x 24.2"
<b>INCLUDED RACKS</b>	(1) for 28 x 12" pizza plates - (1) for 34 x soup bowls/plates - (1) stainless steel rack for GN 1/1 containers, 23.5" x 15.75" pizza pans & pizza dough containers - (1) open stainless steel rack for miscellaneous items and utensils
<b>WORK HEIGHT</b>	34"
<b>TANK CAPACITY</b>	16 Gal (61 L)
<b>DIMENSIONS (L X W X H)</b>	32" x 33" x 63"
<b>WASH CYCLE DURATION</b>	1- 2- 3 min. / 2 - 3 - 4 min.
<b>WASH CYCLE CAPACITY</b>	2040 - 1360 - 680 dishes/hr 60 - 40 - 20 baskets/hr / 30 - 20 - 15 baskets/hr
<b>WATER CONSUMPTION</b>	1.05 Gal per cycle (4 L) 31 - 21 - 16 Gal per hour (117 - 79.5 - 60.5 L)
<b>ELECTRIC PUMP</b>	1500W
<b>WASH TANK ELEMENT</b>	9000W
<b>RINSE TANK ELEMENT</b>	9000W
<b>BOILER CAPACITY</b>	2.1 Gal (8 L)
<b>WATER INLET TEMPERATURE</b>	55 - 60°C (131 - 140°F)
<b>WATER INLET CONNECTION</b>	3/4"
<b>WATER OUTLET CONNECTION</b>	32 mm - 1" 1/4
<b>INLET WATER PRESSURE</b>	40±80 psi
<b>WATER HARDNESS</b>	7.2 - 12.5°F
<b>RINSE TEMPERATURE</b>	82 - 90°C (180 - 195°F)
<b>NET WEIGHT</b>	415 lbs
<b>SHIP DIMENSIONS (L X W X H)</b>	43" x 36.6" x 82"
<b>SHIP WEIGHT</b>	470 lbs
<b>NOISE LEVEL</b>	<70dB(A)



<b>H</b>	MAX HEIGHT FOR WASH
<b>E</b>	WATER INLET
<b>S1</b>	DRAIN
<b>L</b>	ELECTRIC INPUT

**WARRANTY: ONE YEAR PARTS AND LABOR**

