

Installation accessories
Stacking kit for 6 GN 1/1 oven
 placed on electric 6 or 10 GN 1/1

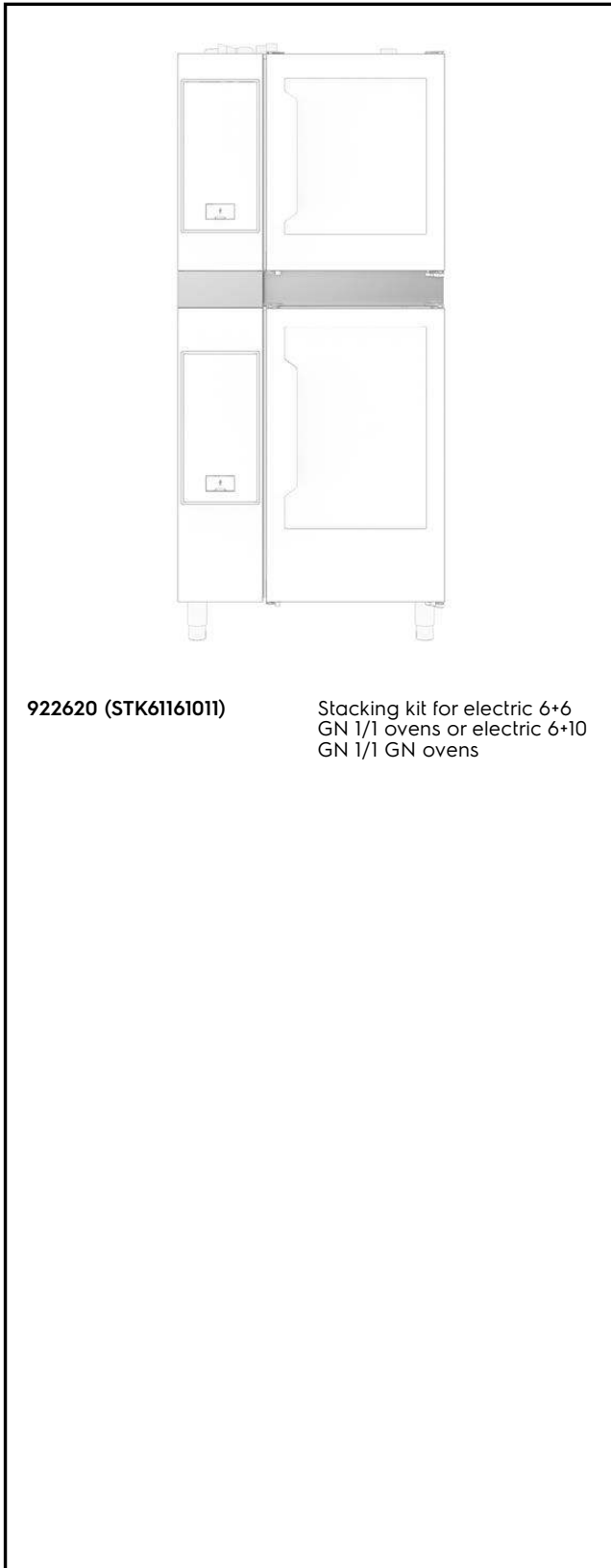
ITEM # _____

MODEL # _____

NAME # _____

SIS # _____

AIA # _____


922620 (STK61161011)

 Stacking kit for electric 6+6
 GN 1/1 ovens or electric 6+10
 GN 1/1 GN ovens

Main Features

- Ideal for saving kitchen space.
- Includes: supports, external panels, flue and water pipes, drain connection, cooling fan and adjustable feet.
- The kit can be mounted on site.
- In case of stacking a combi oven with an air-o-convect, the air-o-convect must be mounted on top.
- The kit typology (gas, electric) must be ordered considering the oven that will be stacked on top.

Key Information:

External dimensions,
Width:
922620 (STK61161011) 898 mm

External dimensions,
Height:

179 mm

External dimensions,
Depth:

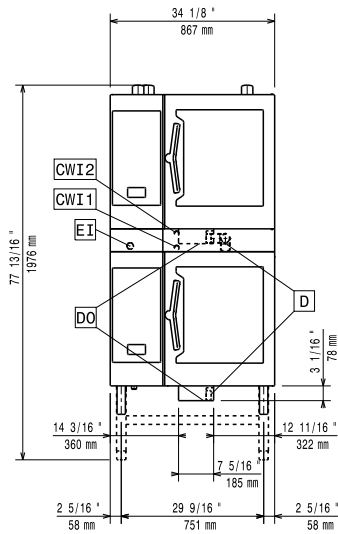
874 mm

Net weight:

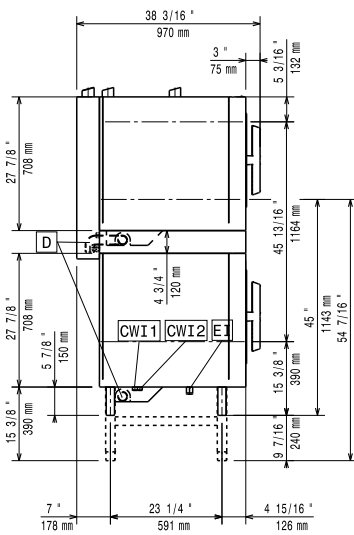
50 kg

APPROVAL: _____

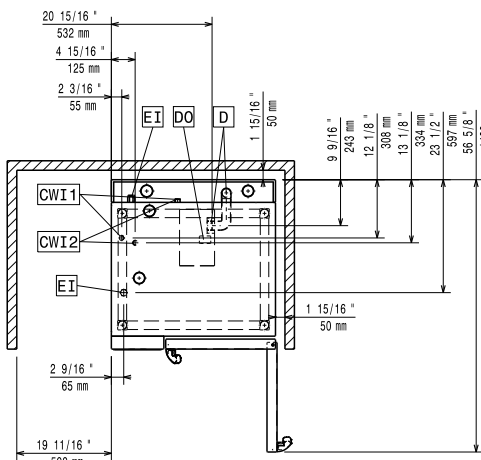
Front



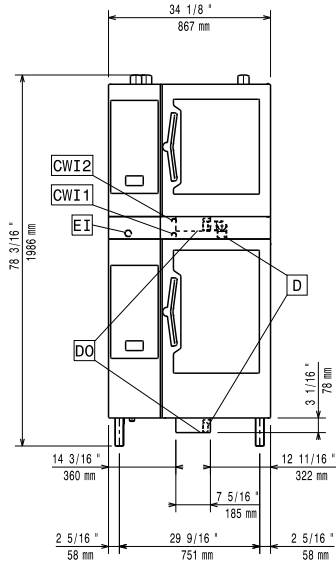
Side



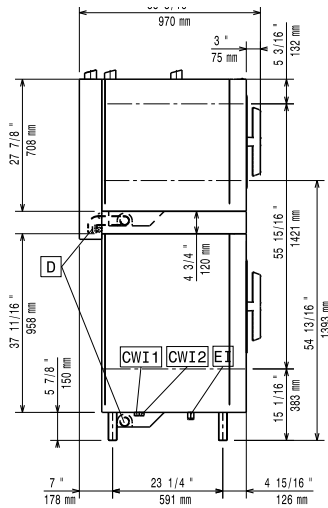
Top



Front



Side



Top

