

## Spin Dryers Vegetable Dryer, 20gal with basket, stainless steel

ITEM # \_\_\_\_\_  
 MODEL # \_\_\_\_\_  
 NAME # \_\_\_\_\_  
 SIS # \_\_\_\_\_  
 AIA # \_\_\_\_\_



600096 (VP2220)

VP2 S/S SALAD DRYER -  
20GAL - 220V

### Short Form Specification

**Item No.** \_\_\_\_\_

VP2-Greens Machine Vegetable Dryer, floor model, 20 gallon capacity approximately 16 heads of lettuce, adjustable built-in timer, ON & OFF buttons at ergonomic height, built-in reservoir, stainless steel outer shell, castors with braking device.

Available in 220V versions.

Comes with 2 years parts and 1 year labor factory warranty.

### Main Features

- Easy lock casters.
- ETL electrical and sanitation listed.
- 2 year parts warranty, 1 year labor.
- Ergonomically fits under working kitchen counters for storage after use.
- Built in reservoir, water can be easily collected. No need for floor drain (optional).
- Dries up to 16 heads of lettuce in under 5 minutes. Other green leaves and cut vegetables can be dried as well.
- Delivered with plastic basket, equipped with handle grips for easy loading/unloading.
- Built-in 5 minute timer protected by hinged cover.
- ON/OFF water proof buttons at ergonomic height.
- Electrical braking system to stop basket rotation in a few seconds at the end of the cycle or when lid is opened.

### Construction

- Stainless steel external drum (body).
- Removable plastic inner basket, 20Gal (75Lt) capacity.
- Hinged plastic lid with built-in safety device.
- Mounted on casters with brakes.
- Water reservoir (built-in) equipped with level indicator.
- Basket rotates at approximately 400 RPM.

### Included Accessories

- 1 of Inner Basket with holes PNC 653788

### Optional Accessories

- Inner Basket with holes PNC 653788



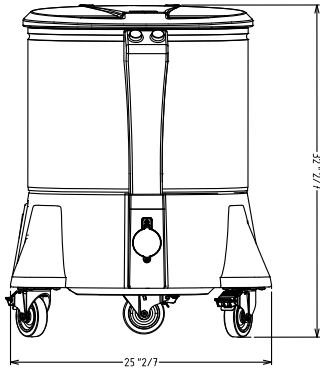
APPROVAL: \_\_\_\_\_



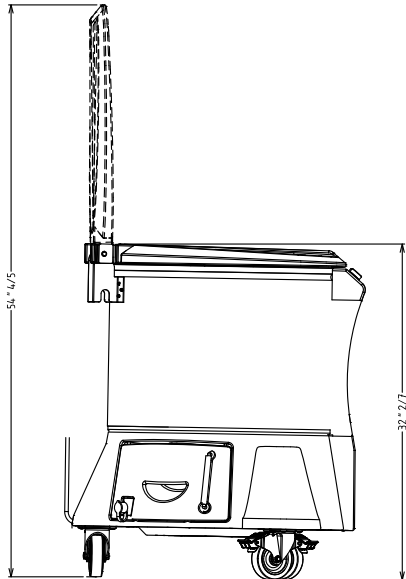
**Electrolux**  
PROFESSIONAL

## Spin Dryers Vegetable Dryer, 20gal with basket, stainless steel

Front

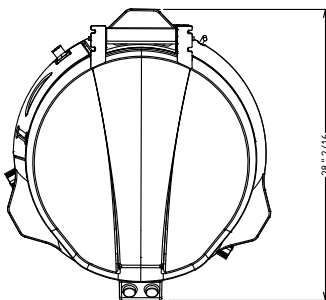


Side



EI = Electrical connection

Top



### Electric

Supply voltage:

600096 (VP2220)

220 V/1N ph/60 Hz

Electrical power, max:

0.2 kW

Plug type:

NEMA 6-15

### Key Information:

External dimensions, Width: 26 9/16" (675 mm)

External dimensions, Depth: 26 9/16" (675 mm)

External dimensions, Height: 32 1/64" (813 mm)

Shipping width: 29 1/2" (750 mm)

Shipping depth: 31 1/2" (800 mm)

Shipping weight: 121 lbs (55 kg)

Shipping volume: 19.07 ft<sup>3</sup> (0.54 m<sup>3</sup>)

Spin Dryers  
Vegetable Dryer, 20gal with basket, stainless steel

The company reserves the right to make modifications to the products without prior notice. All information correct at time of printing.

2019.10.21